



AP6800™ (256 Port) Large Scale VoIP Gateway

High Performance VoIP Gateway Solution

32-Port FXS Module(MGSA)
Features



AddPac

AddPac Technology

2011, Sales and Marketing

www.addpac.com

Contents

- Product Overview
- Hardware Specification
- System Block Diagram
- 32-Port FXS Module(MGSA) Block Diagram
- MGSA Module Service Features



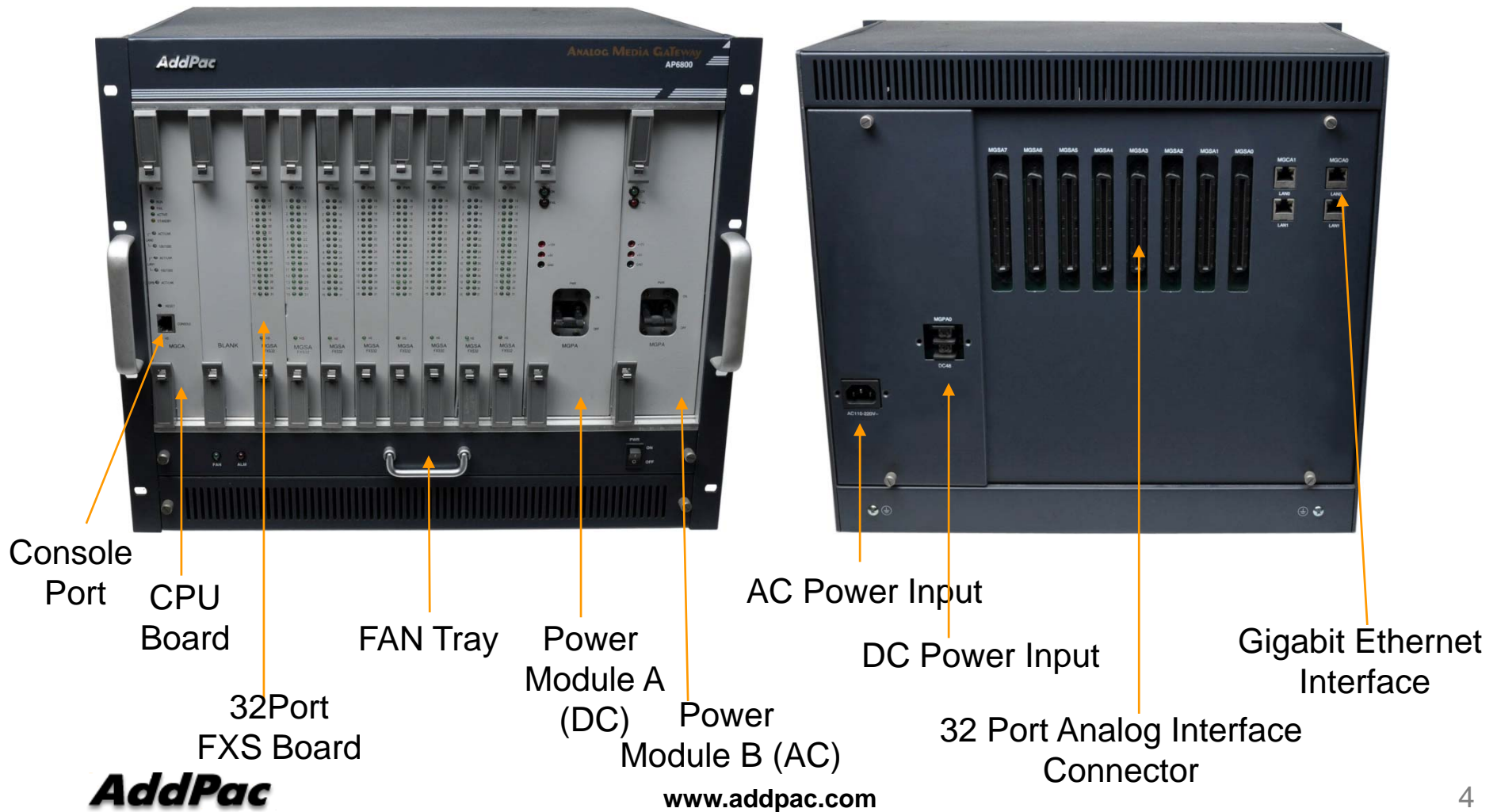
Product Overview

AP6800 Large Scale VoIP Gateway

- H.323/SIP Concurrent VoIP Stack Embedded
- High Performance RISC Processor
- Dual Power Redundancy (AC, DC) selectable at ordering
- Hot-Swap Function Support
- Up to 256 Analog Interface Port (32Port Board x 8 Ea) Support
- Two(2) 10/100/1000Mbps Giga-Bit Ethernet Interface
- G.711/G.726/G.723/G.729, T.38 Fax , VAD, etc
- Powerful Network Protocols (PPPoE, DHCP, Static Routing, etc)
- Firmware Upgradeable Architecture
- VPMS (VoIP Plug&Play Management System) for Large Scale Deployment
- Advanced Voice QoS Mechanism

Hardware Specification

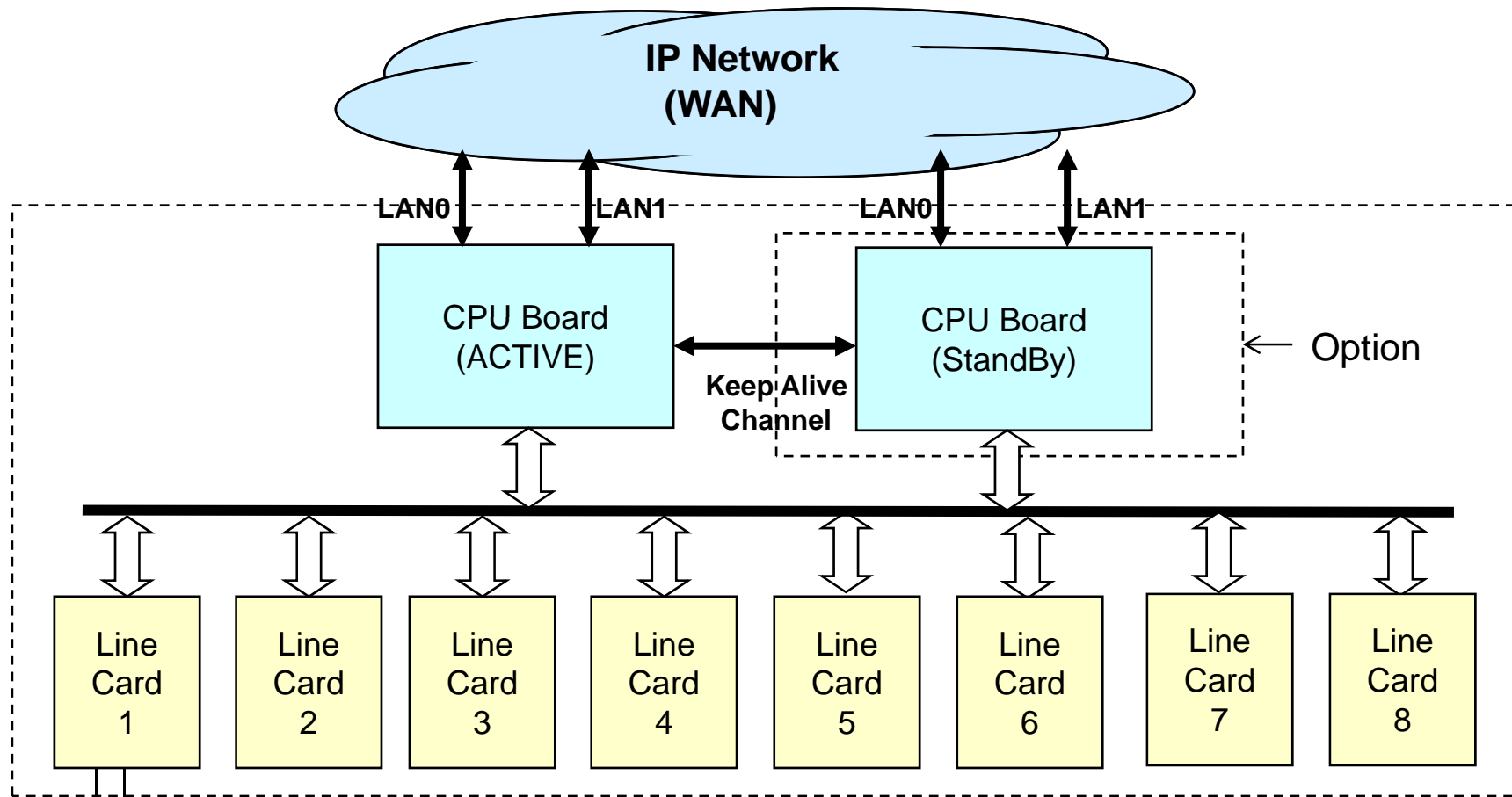
AP6800 Large Scale VoIP Gateway



System Block Diagram

AP6800 Large Scale VoIP Gateway

AP6800 System Block Diagram



32-Port FXS Module (MGSA) Block Diagram

AP6800 Large Scale VoIP Gateway

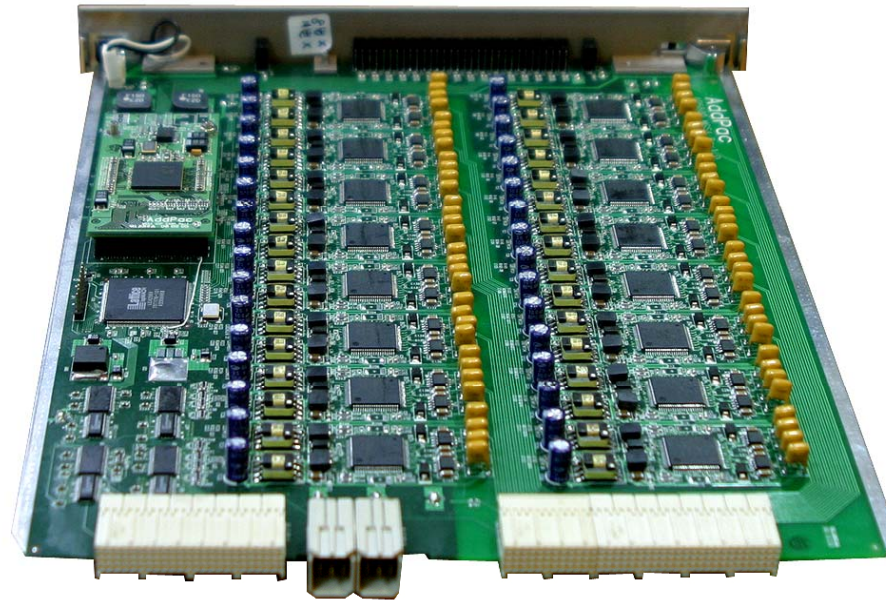
MGSA : Media Gateway Subscriber Assembly



32-Port FXS Module (MGSA) Block Diagram

AP6800 Large Scale VoIP Gateway

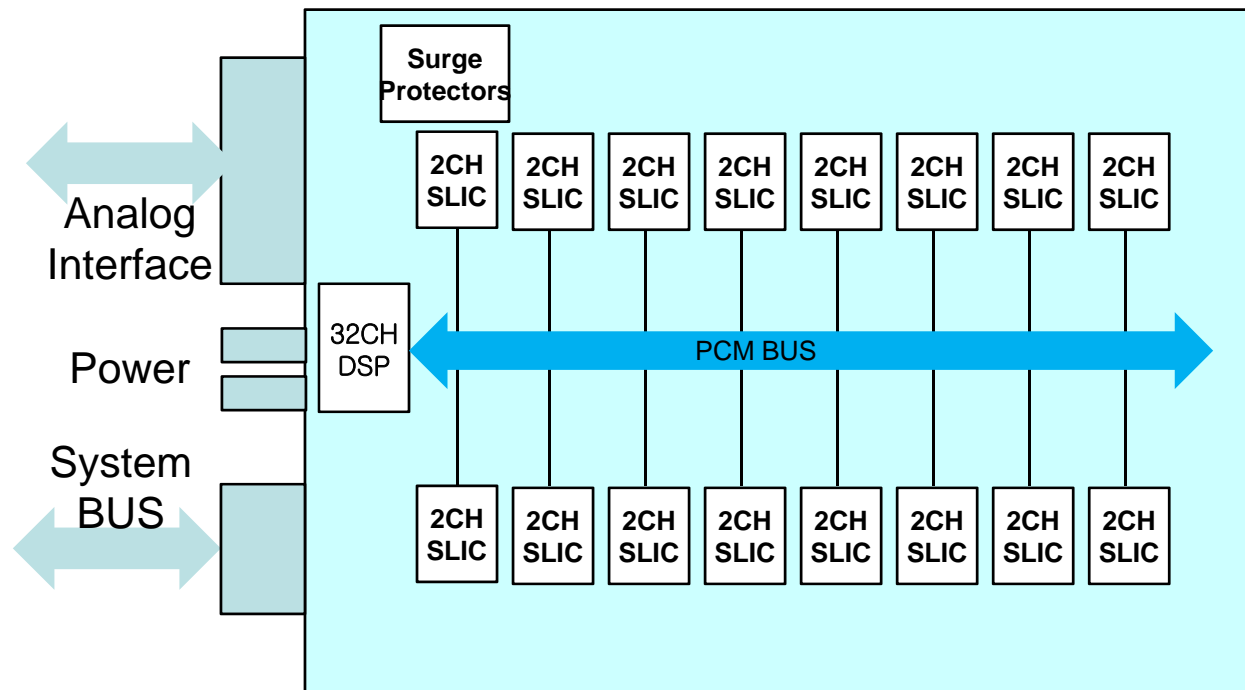
MGSA : Media Gateway Subscriber Assembly



32-Port FXS Module (MGSA) Block Diagram

AP6800 Large Scale VoIP Gateway

MGSA : Media Gateway Subscriber Assembly



MGSA Module Service Features

AP6800 Large Scale VoIP Gateway

- Long Reachable Distance for NGN Service
- SLIC Ringing
 - 5REN with pin for pin compatible 150V SLIC Device
 - Up to 140-Vpk Internal balanced sinusoidal or trapezoidal ringing with Programmable offset
 - Unbalanced ringing for PBX trunk compatibility
- SLIC Programmability
 - Ringing Frequency, Voltage and Current Limit
 - Two-wire AC impedance, Balance Impedance, Gain
 - DC feed Voltage and Current Limit
 - Unbalanced ringing for PBX trunk compatibility
- Powerful Surge Protection (more than 1.5Kv)
- Universal Caller ID
- DSP based G.711, G.729, G.723.1, etc High Quality Voice Codec
- Voice QoS (Delay, Jitter, etc) Support for end-to-end Voice Quality

VoIP Gateway Series

Thank you!

AddPac Technology Co., Ltd.
Sales and Marketing

Phone +82.2.568.3848 (KOREA)

FAX +82.2.568.3847 (KOREA)

E-mail sales@addpac.com