



AP-IP90™

BcN IP Phone

High Performance Broadband Convergence Network
IP Phone Solution

Standalone 3-Party Call Conference



AddPac

AddPac Technology

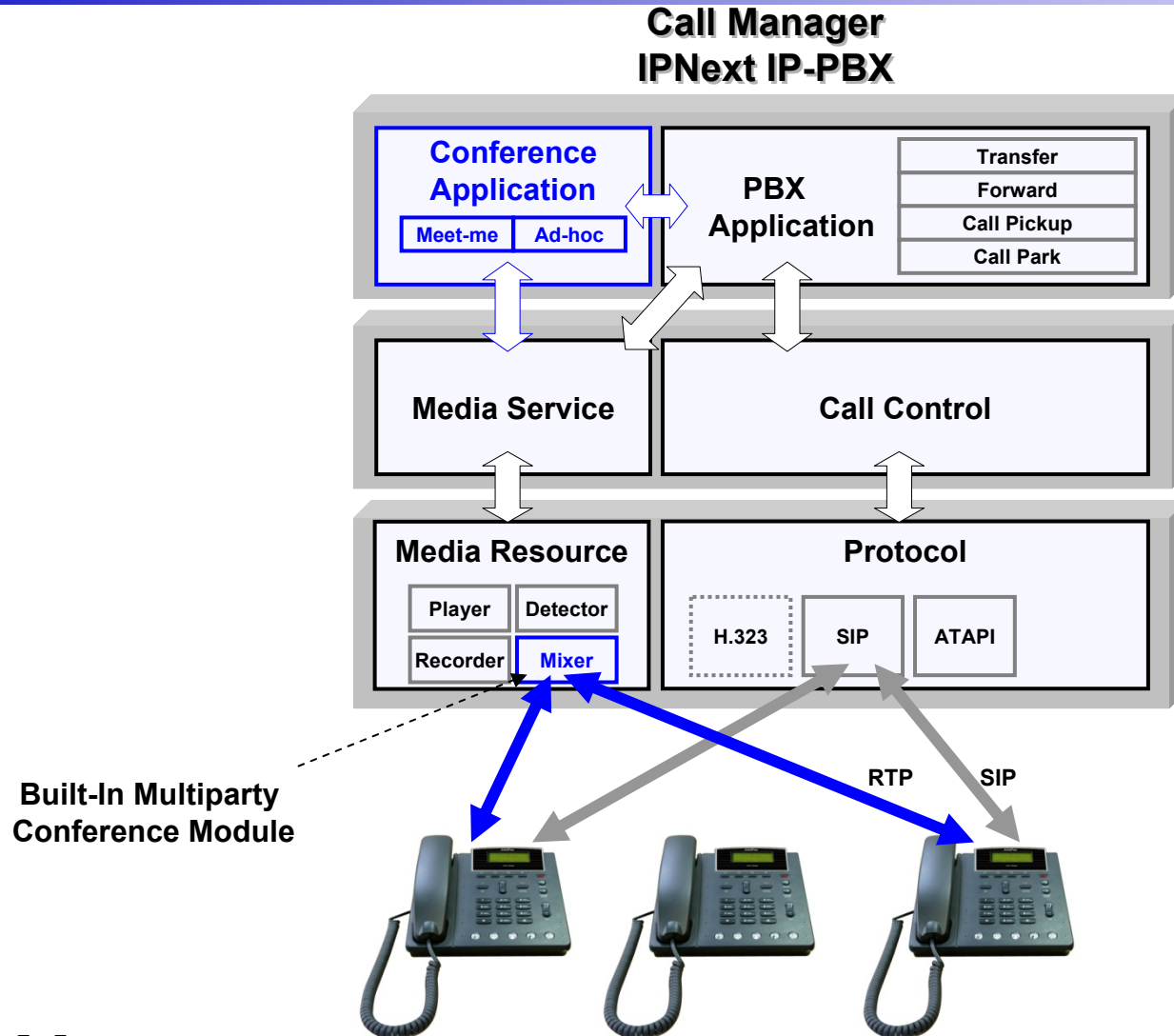
www.addpac.com

Contents

- Multiparty Conference Model (IP-PBX)
- Multiparty Conference Model (External MCU)
- Standalone AP-IP90 3-Party Conference Model
- Network Diagram
- Signal Flow Diagram

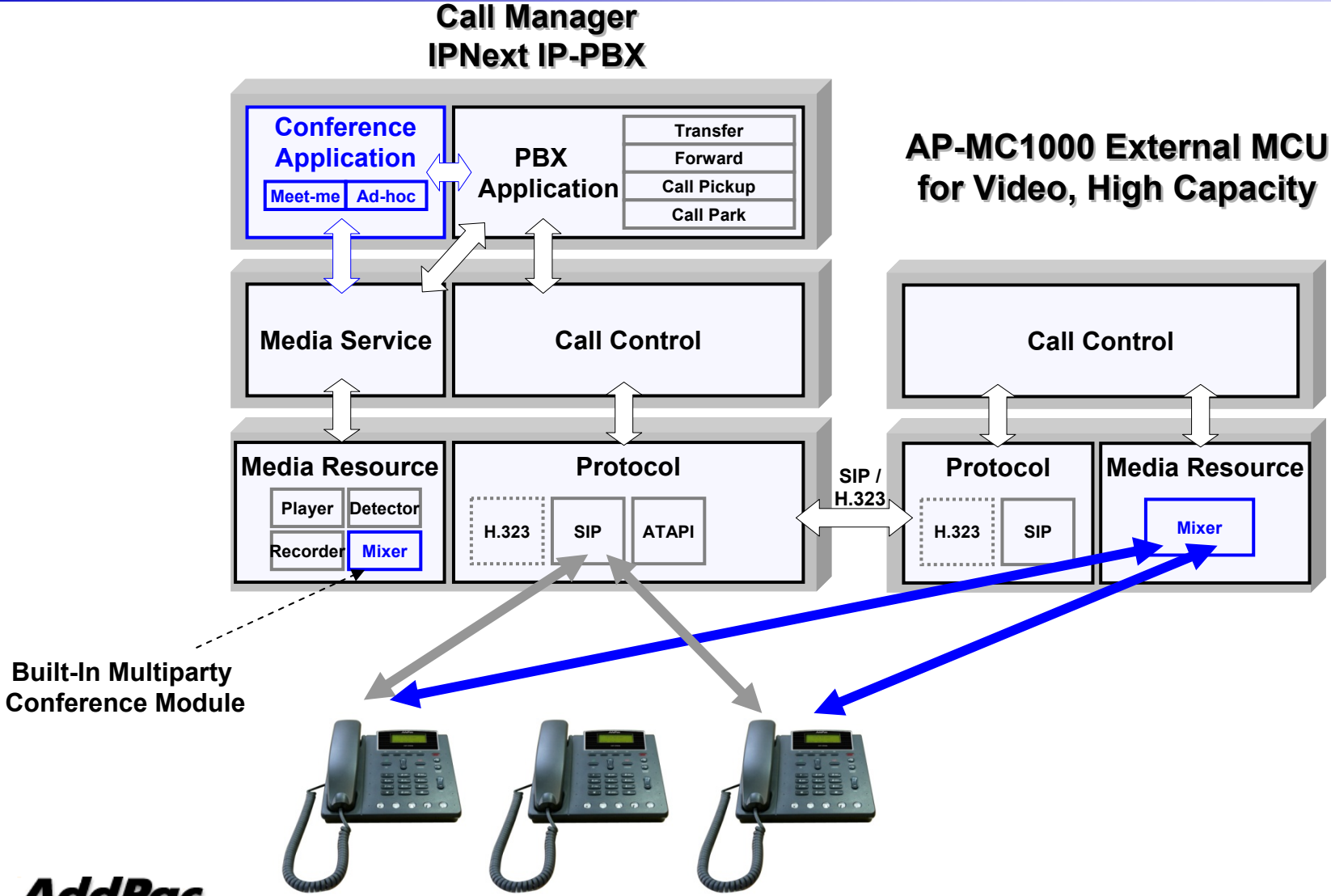
Multiparty Conference Model

IPNext Series Built-In Multiparty Conference Module



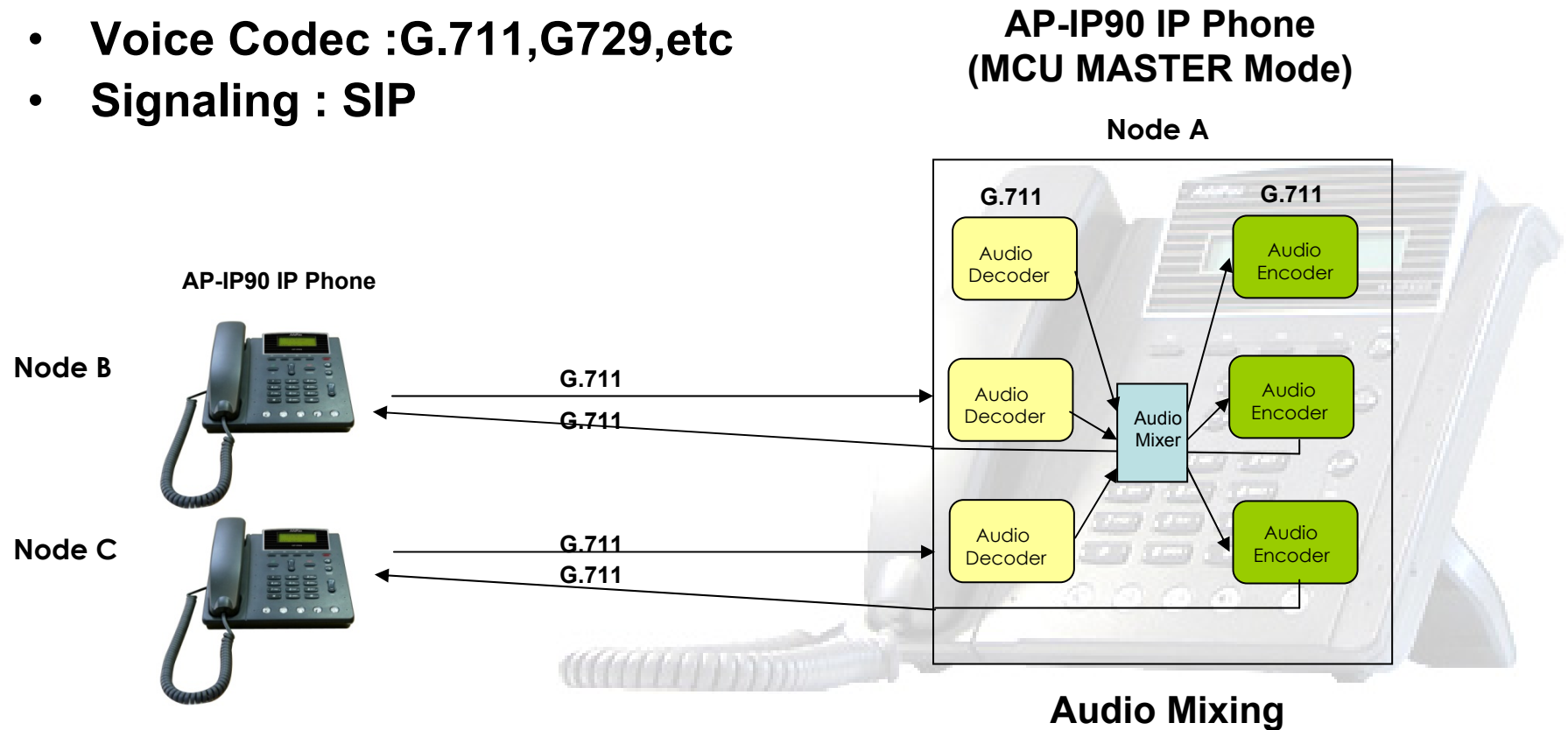
Multiparty Conference Model

External MCU Model



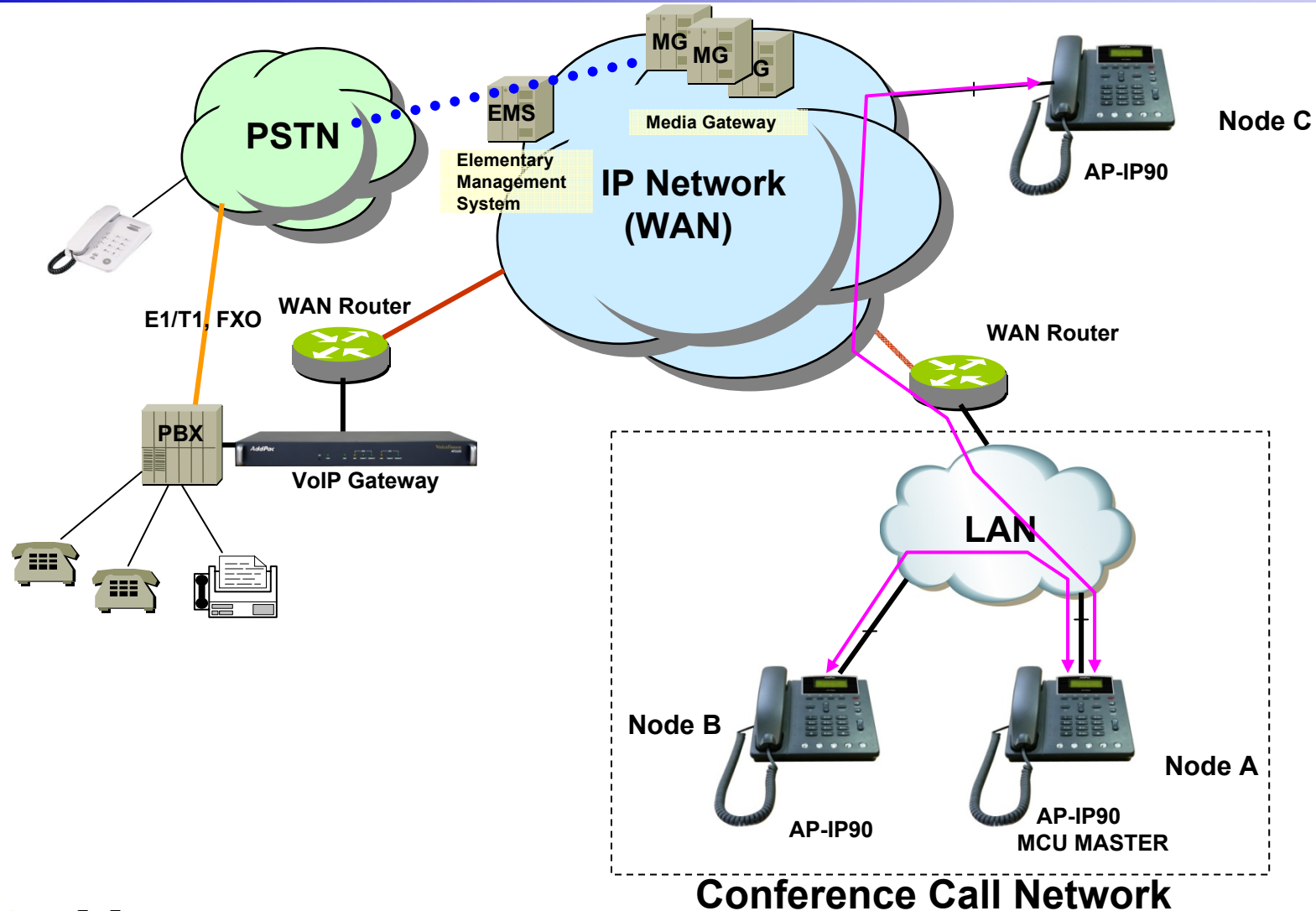
Standalone 3-Party Conference Model

- Voice Codec :G.711,G729,etc
- Signaling : SIP



Network Service Diagram

AP-IP90 IP Phone



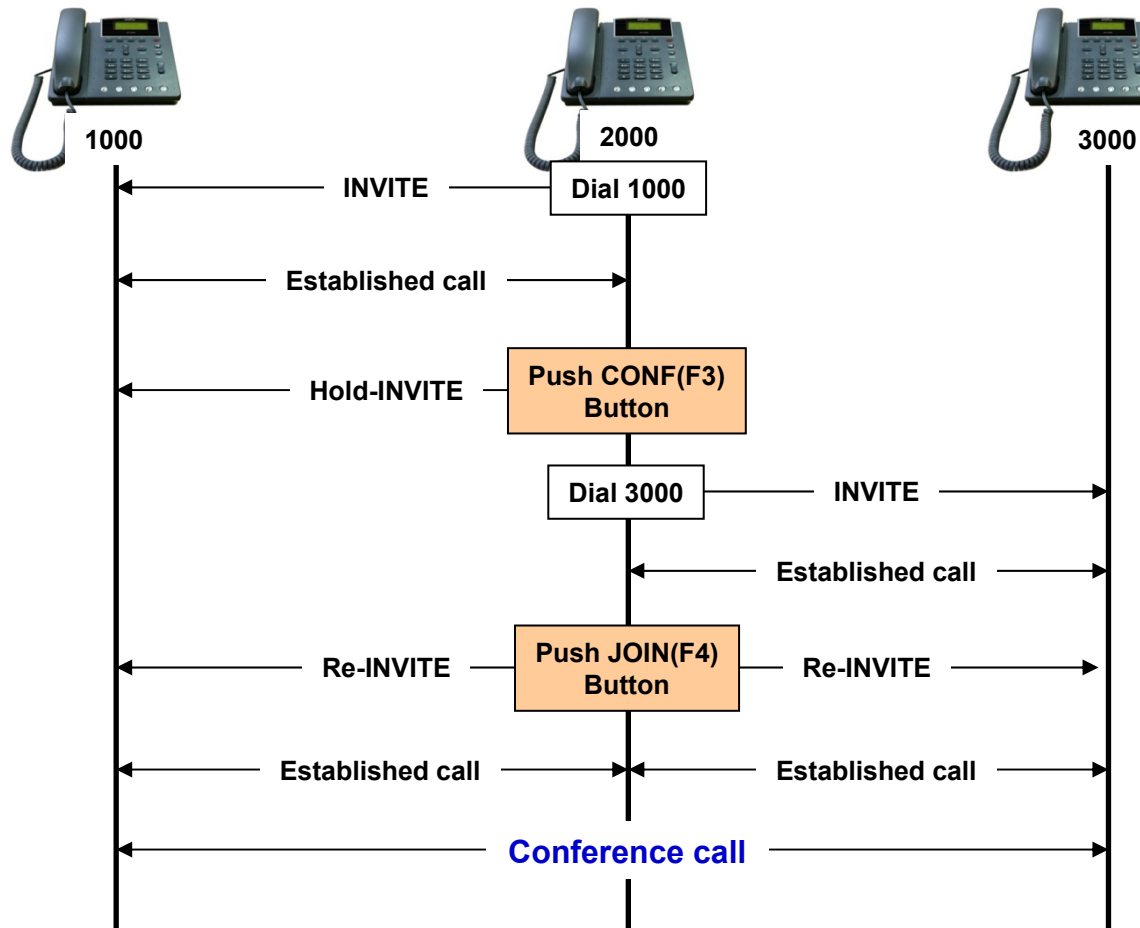
AddPac

www.addpac.com

Signal Flow Diagram

AP-IP90 IP Phone Specific

Conference Call Flow





Thank you!

AddPac Technology Co., Ltd.
Sales and Marketing

Phone +82.2.568.3848 (KOREA)

FAX +82.2.568.3847 (KOREA)

E-mail sales@addpac.com