



AP-IP100™

BcN IP Phone

High Performance IP Phone Solution

Design Concept

AddPac

AddPac Technology

2007, Sales and Marketing

www.addpac.com

Contents

AP-IP100 IP Phone

- Hardware Specification
- AP-IP100 Hardware Block Diagram
- AP-IP100 Network Service Diagram
- AP-IP100E(FXO) Hardware Block Diagram
- AP-IP100E Network Service Diagram
- AP-IP100B(FXS) Hardware Block Diagram
- AP-IP100B Network Service Diagram

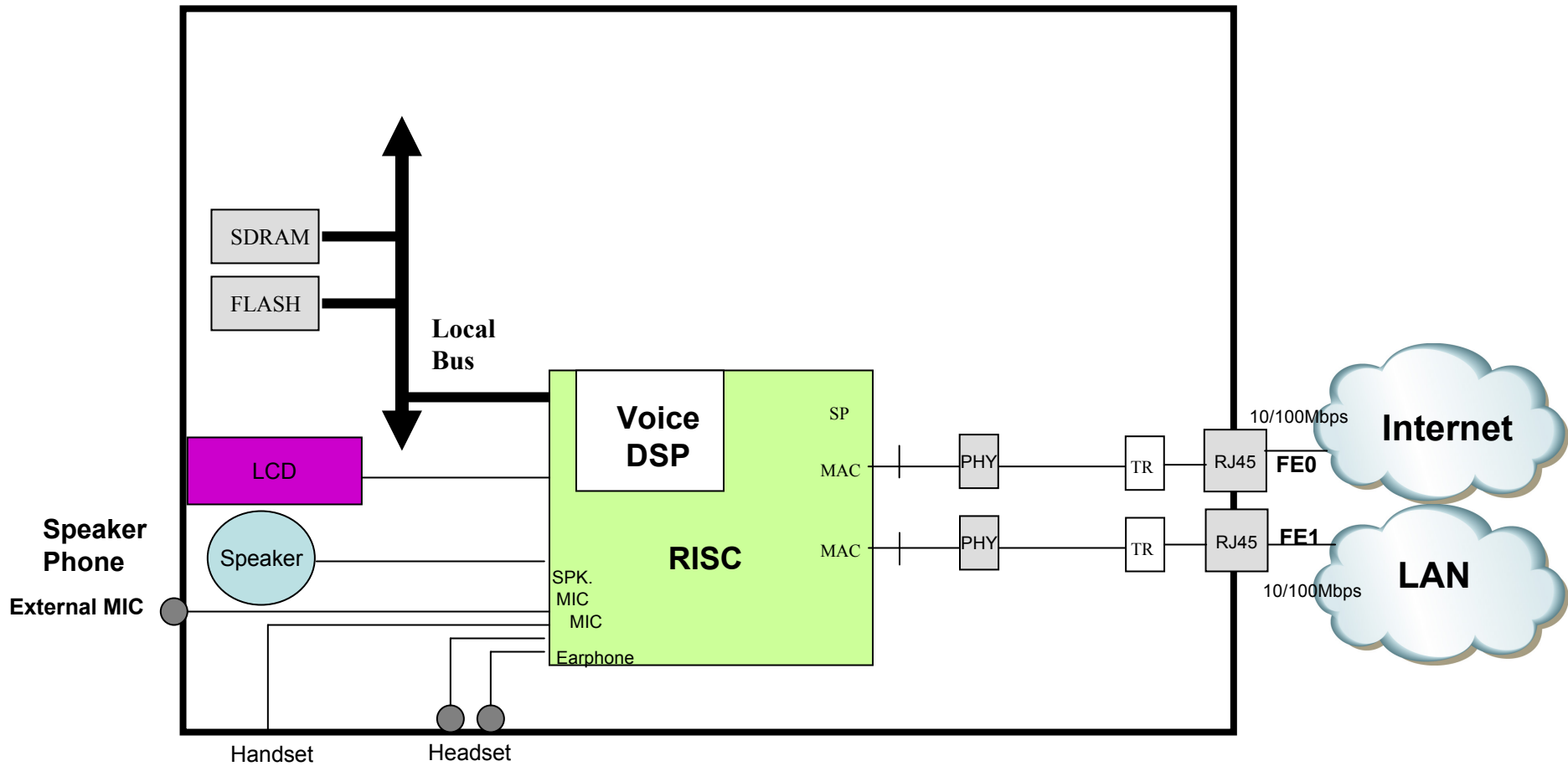
Hardware Specification

AP-IP100 IP Phone

- **RISC+DSP Microprocessor Computing Power (Dual Processor Architecture)**
- **Optional PSTN Backup (FXO) Interface : AP-IP100E**
- **Optional Phone (FXS) Interface for FAX, Phone : AP-IP100B**
- **High quality Audio and Voice Interface**
 - Stereo Audio Input Connector
 - Stereo Audio Output Connector
- **Network Interface**
 - Two(2) 10/100Mbps Fast Ethernet
- **LCD Window : 66.54mm x 33.26mm(Active Area) Graphic LCD**
- **Power Supply**
 - External Power Adaptor (5V, 2A)

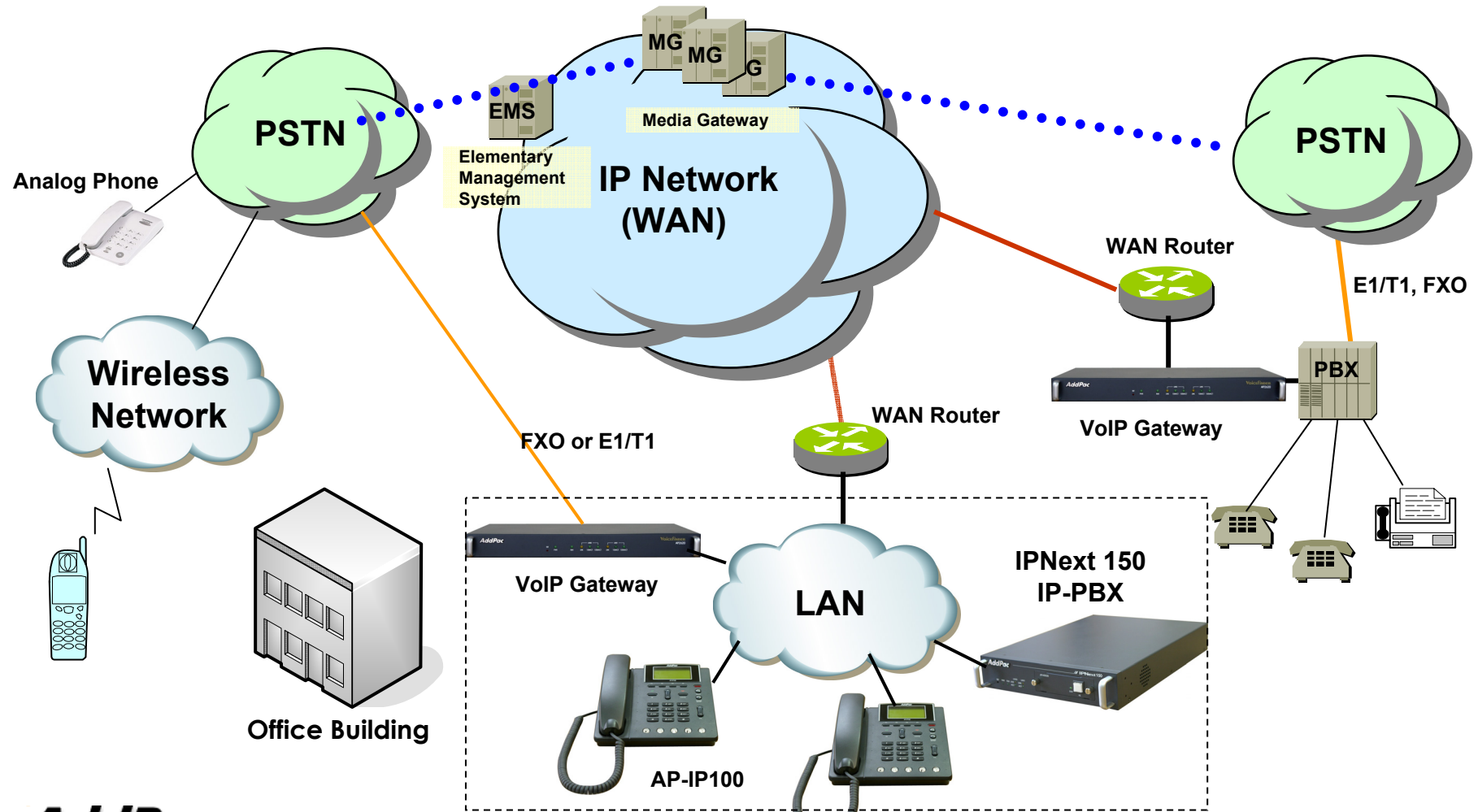
Hardware Logical Diagram

AP-IP100 IP Phone



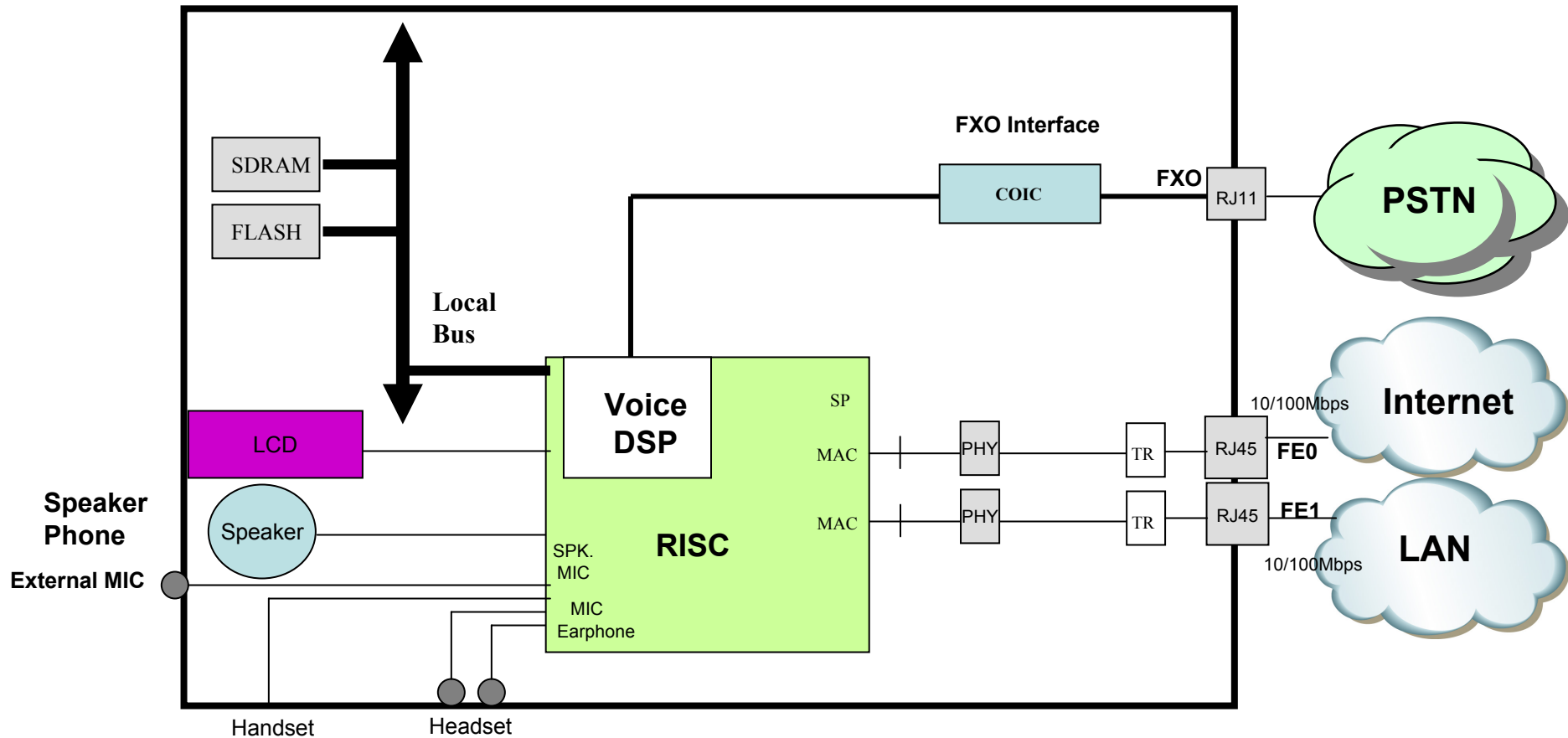
Network Application Diagram

AP-IP100 IP Phone



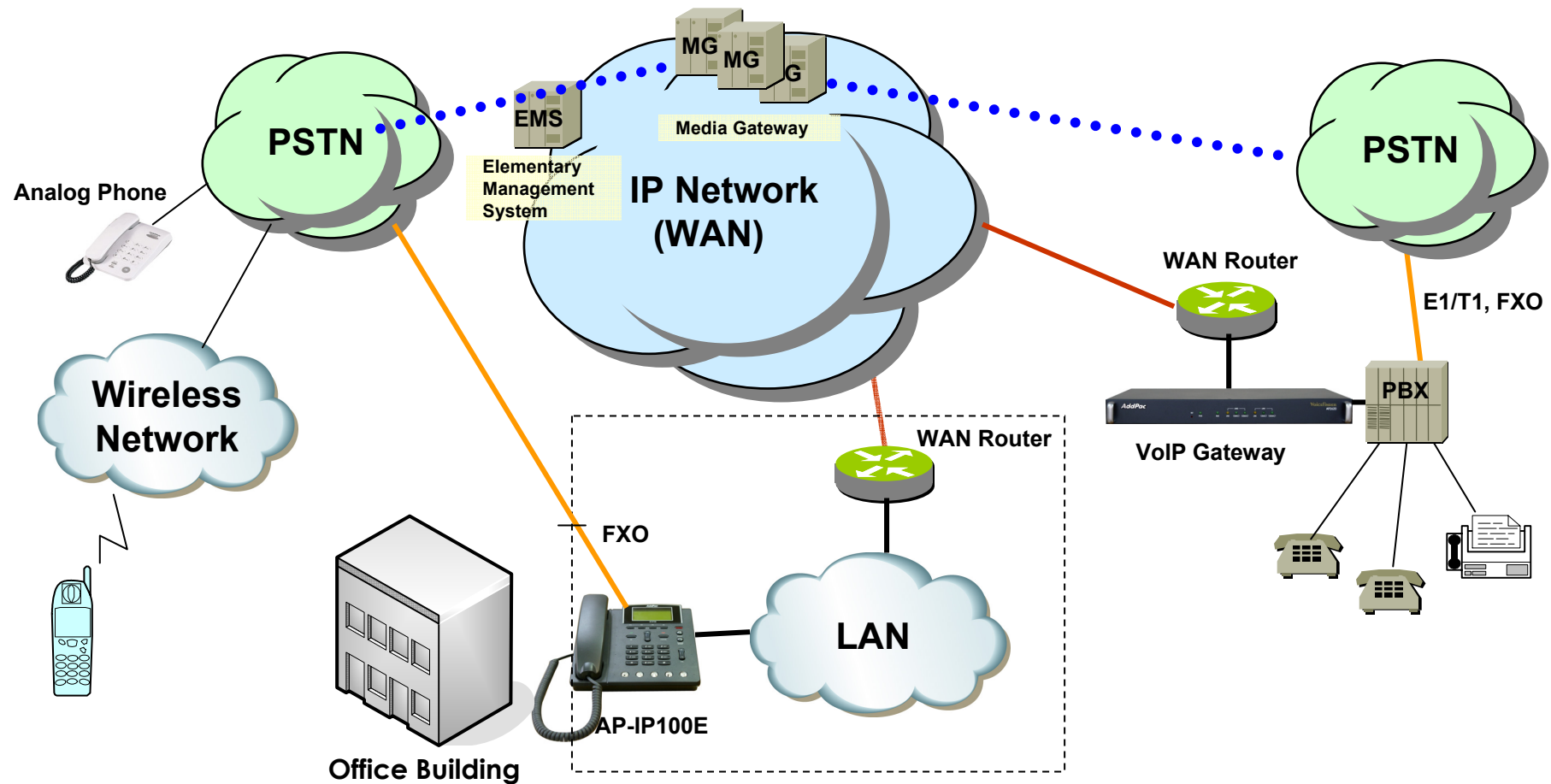
Hardware Logical Diagram

AP-IP100 IP Phone : AP-IP100E



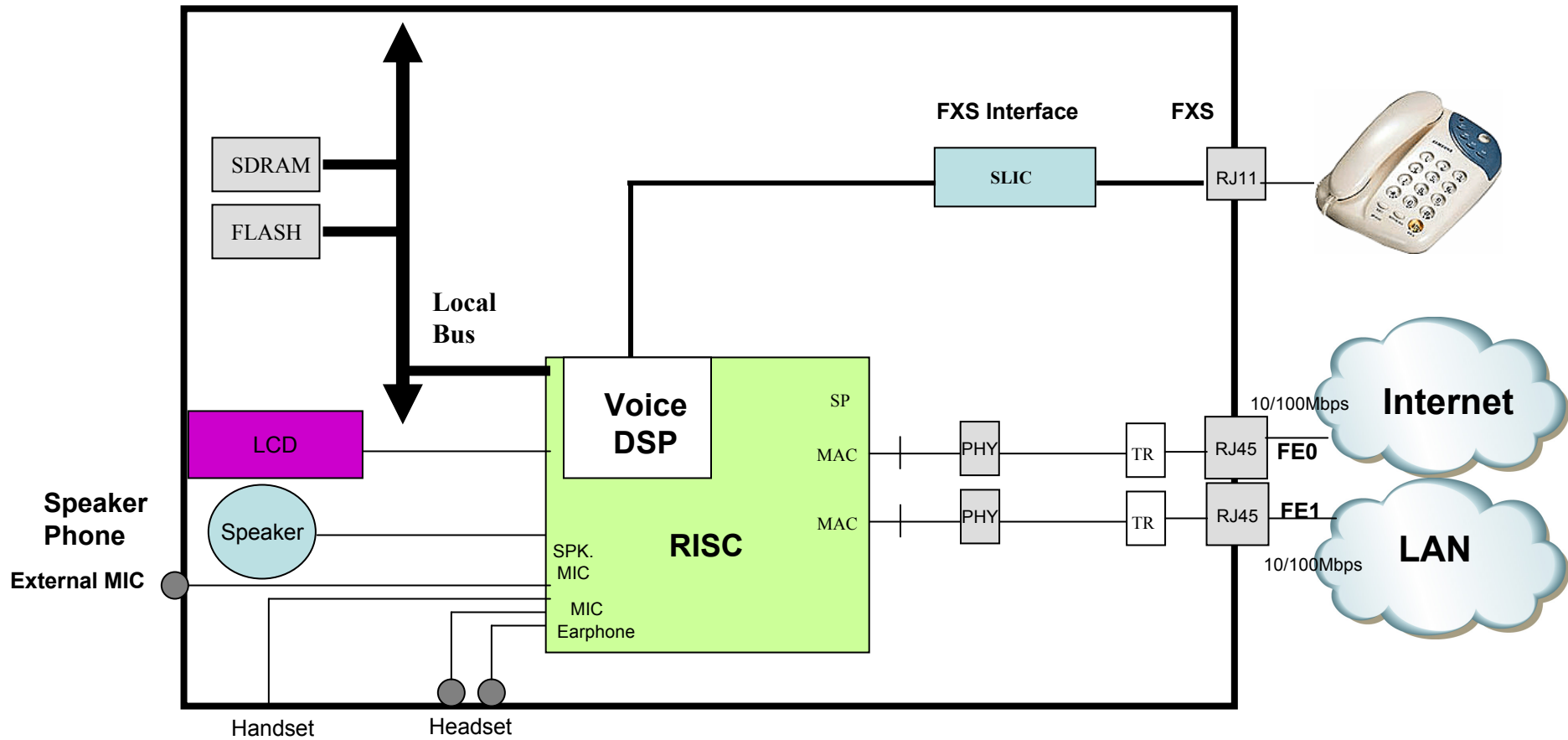
Network Application Diagram

AP-IP100 IP Phone



Hardware Logical Diagram

AP-IP100 IP Phone : AP-IP100B



Hardware Interface

AP-IP100 IP Phone : AP-IP100B



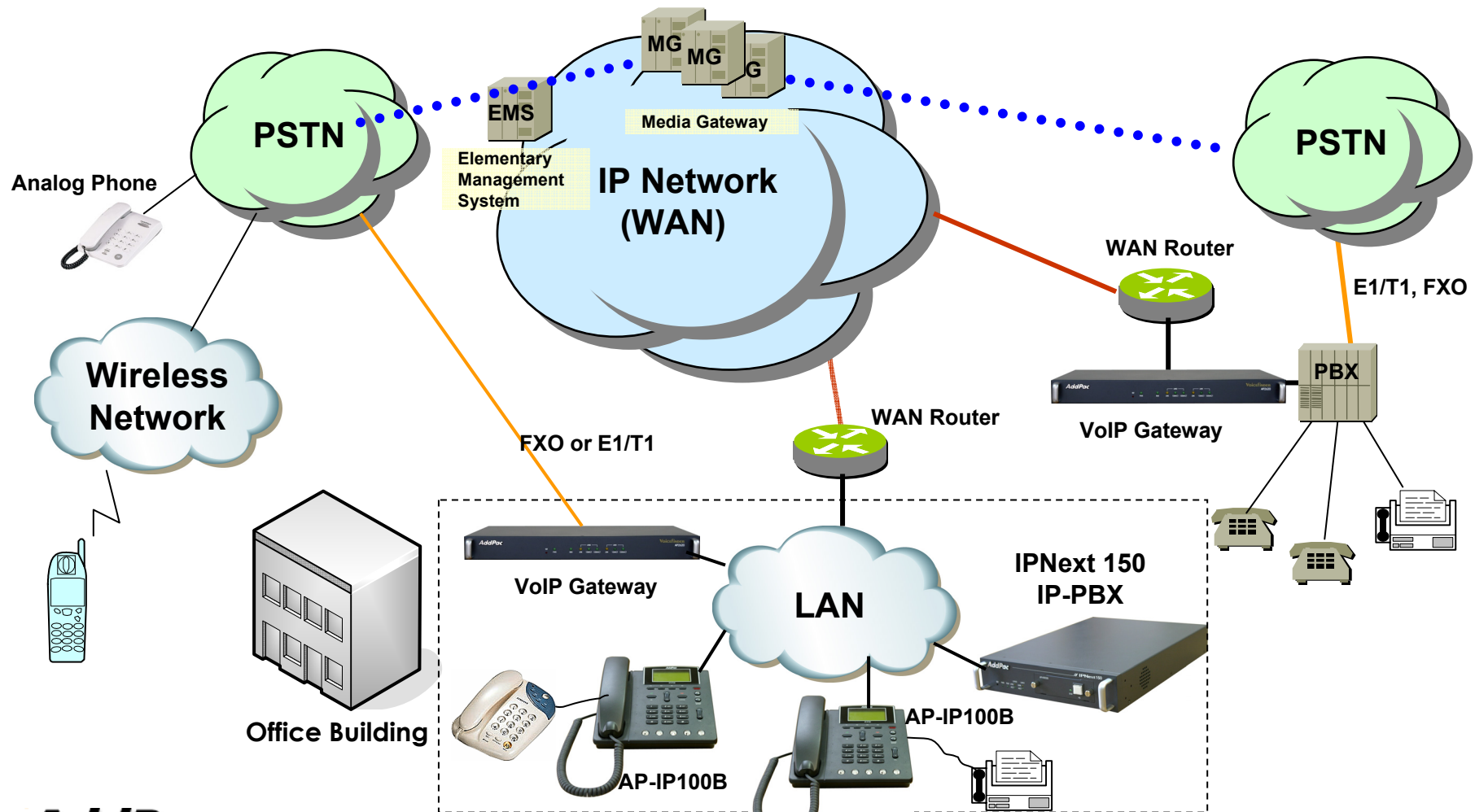
FXS Interface Port



Analog Phone, Cordless Phone, FAX, etc

Network Application Diagram

AP-IP100B IP Phone



AP-IP100 IP Phone

Thank you!

AddPac Technology Co., Ltd.
Sales and Marketing

Phone +82.2.568.3848 (KOREA)

FAX +82.2.568.3847 (KOREA)

E-mail sales@addpac.com