

AP-GS5000™

Multi-Port GSM Gateway

High Performance GSM Gateway Solution



H/W Design Concept

AddPac

AddPac Technology

2011, Sales and Marketing

www.addpac.com

Contents

- Product Overview
- Hardware Specification
- AP-N1-GSM8 Module Diagram
- AP-N1-GSM8 H/W Block Diagram
- 80-Port GSM Service Configuration
- 72-Port GSM + 2* Digital E1/T1 Service Configuration
- 72-Port GSM Service Network Diagram

Product Overview

- Ten(10) Module Slots for 8-Port GSM Module, Digital 2E1 Interface (Up to 80-Port GSM, CPU Module)
- H.323/SIP Dual Concurrent Stack Embedded
- High Performance RISC & Programmable DSP Architecture
- G.711/G.726/G.723/G.729, T.38 Fax , VAD, etc
- Powerful Network Protocols (PPPoE, DHCP, Static Routing, etc)
- 10/100/1000Mbps Gigabit Ethernet Interface
- One(1) RS-232C Port for Command Line Interface
- Firmware Upgradeable Architecture
- NMS(Network Management System) Support
- Advanced Voice QoS Mechanism
- Rack Mountable Chassis with Internal Power Supply
- Dual Redundancy Power Supply Architecture

Hardware Specification

RISC
CPU

High-end
DSP

- RISC Microprocessor Computing Power
- Ten(10) Module Slot for GSM, Analog/Digital VoIP Interface
- 8-Port GSM Module(AP-N1-GSM8)
 - 8-Port SIM Card Slot
 - Two(2) GSM Antenna Interface (Internal 4 Channel Antenna Combiner x 2)
 - Hot-Swap
- VoIP Interface Module (Hot-Swap)
 - 8-Port FXS Module (AP-N1-FXS8)
 - 8-Port FXO Module (AP-N1-FXO8)
 - Digital 2E1/T1 Module (AP-N1-2E1)
- Network Interface
 - Two(2) 10/100/1000Mbps Gigabit Ethernet (RJ45)
- RS232C Console Interface for CLI
- Run LED, LAN LED, Port LEDs
- Module Type Power Supply, Dual Power Supply(Optional)

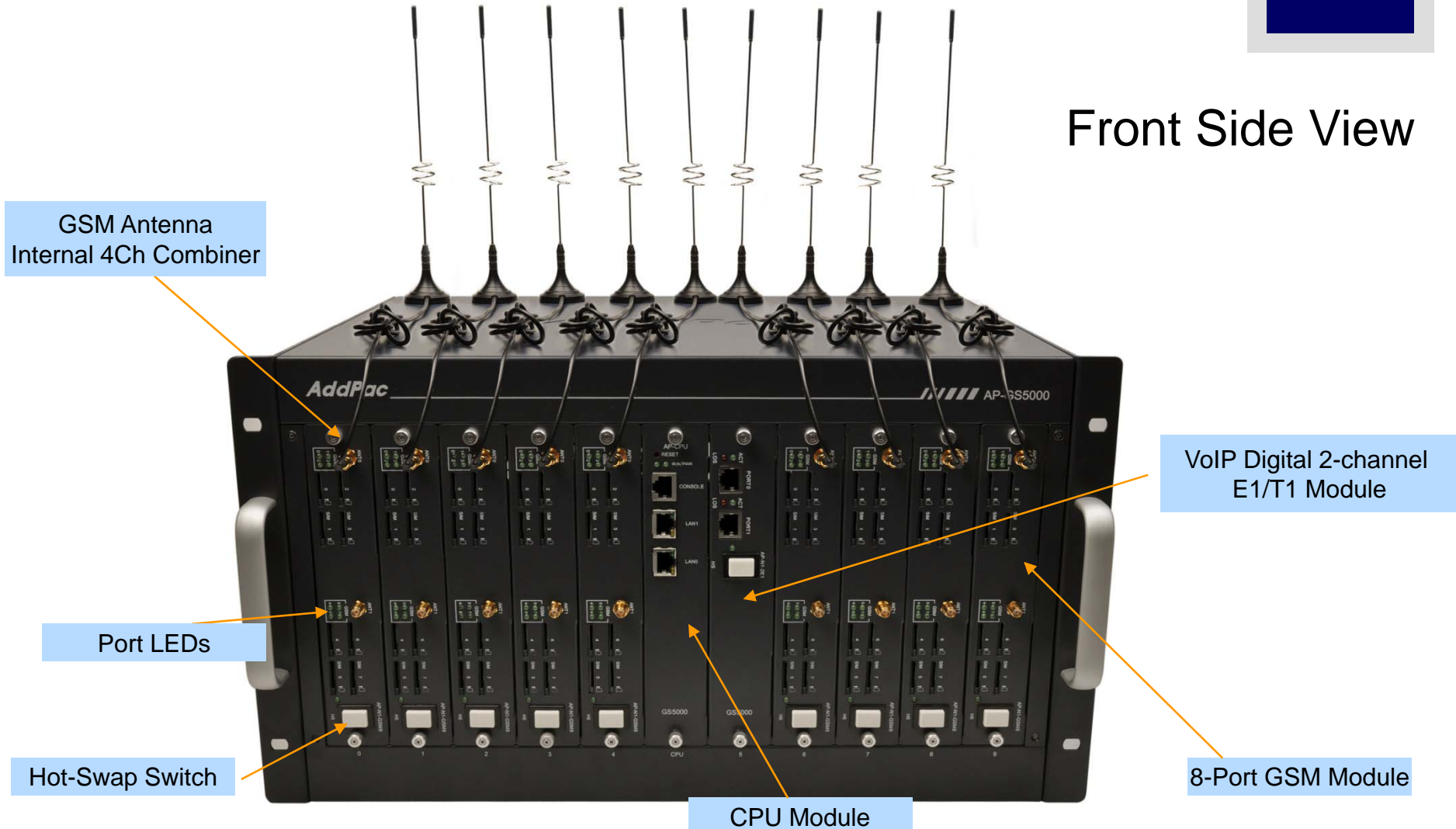


Hardware Specification

RISC
CPU

High-end
DSP

Front Side View



GSM Antenna
Internal 4Ch Combiner

VoIP Digital 2-channel
E1/T1 Module

Port LEDs

Hot-Swap Switch

8-Port GSM Module

CPU Module

AddPac

www.addpac.com

Hardware Specification

RISC
CPU

High-end
DSP

Back Side View



AddPac

www.addpac.com

AP-N1-GSM8 Module Diagram

RISC
CPU

High-end
DSP

SIM Card Slot



AP-N1-GSM8
(8-Port GSM Module)

GSM Antenna
Internal 4Ch Combiner

Port LEDs

GSM Antenna
Internal 4Ch Combiner

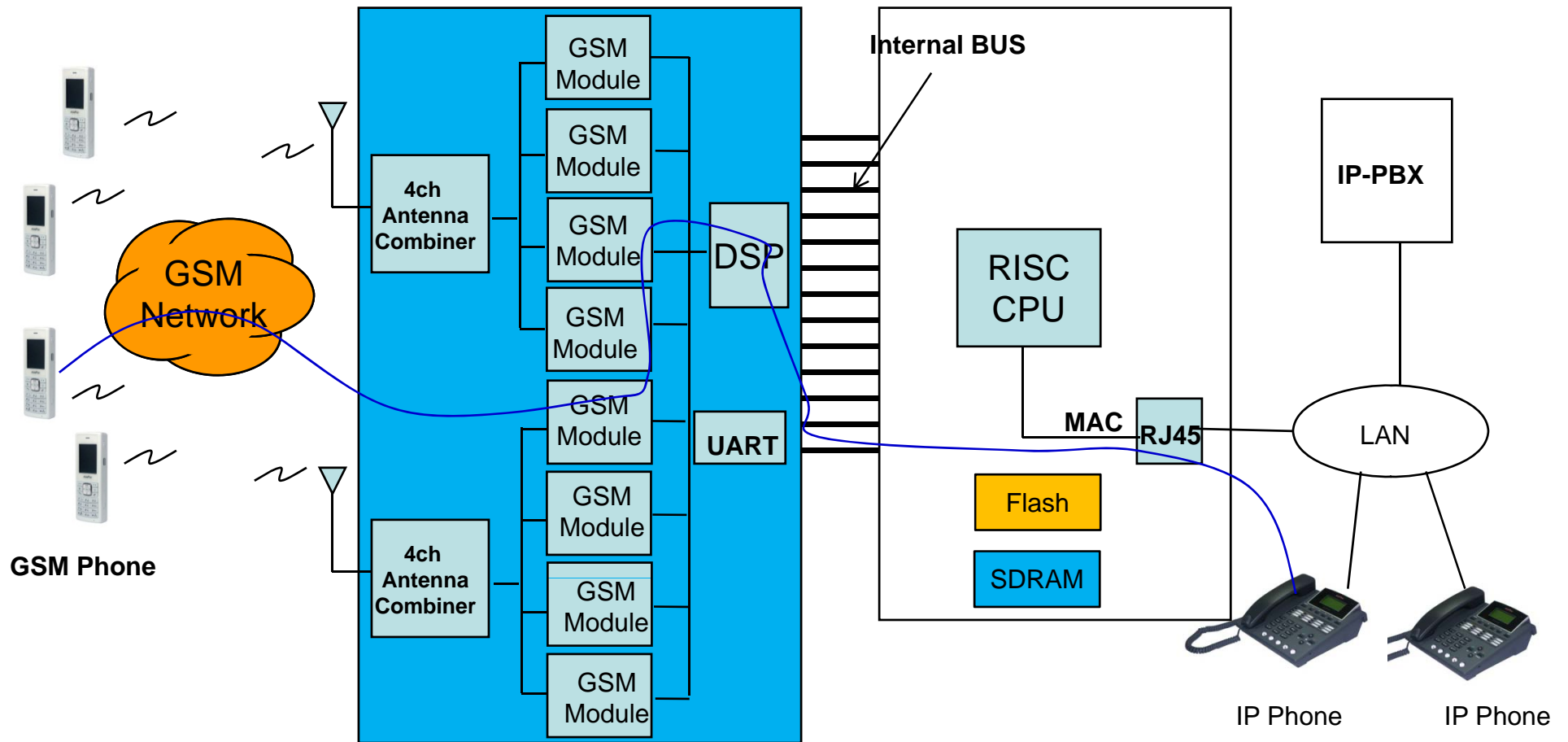
Hot-Swap Switch

AP-N1-GSM8 H/W Block Diagram

RISC
CPU

High-end
DSP

AP-N1-GSM8 8-Port GSM Module Internal H/W Block Diagram

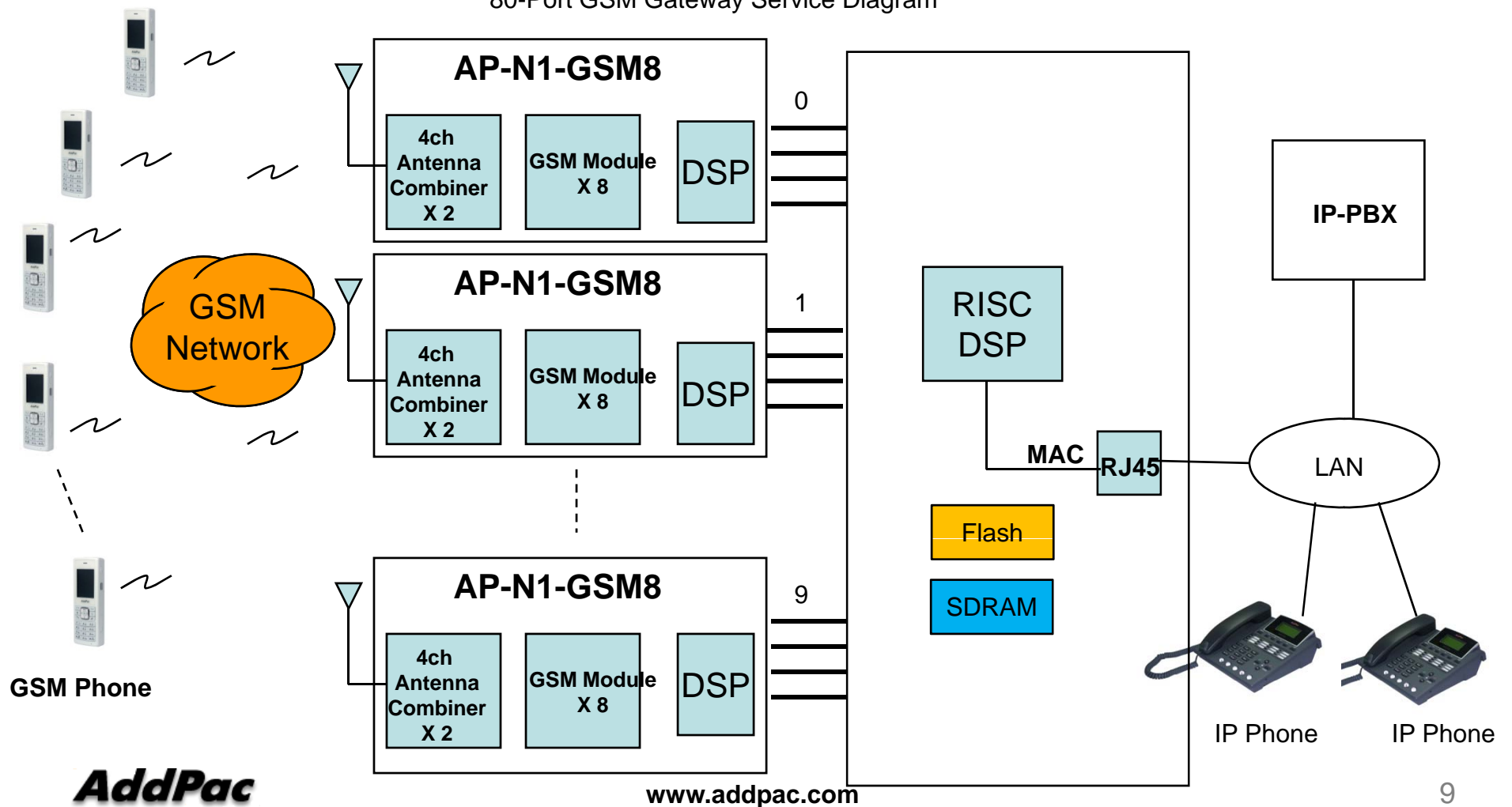


IP Phone to GSM Phone

80-Port GSM Configuration

GSM Gateway Service Diagram

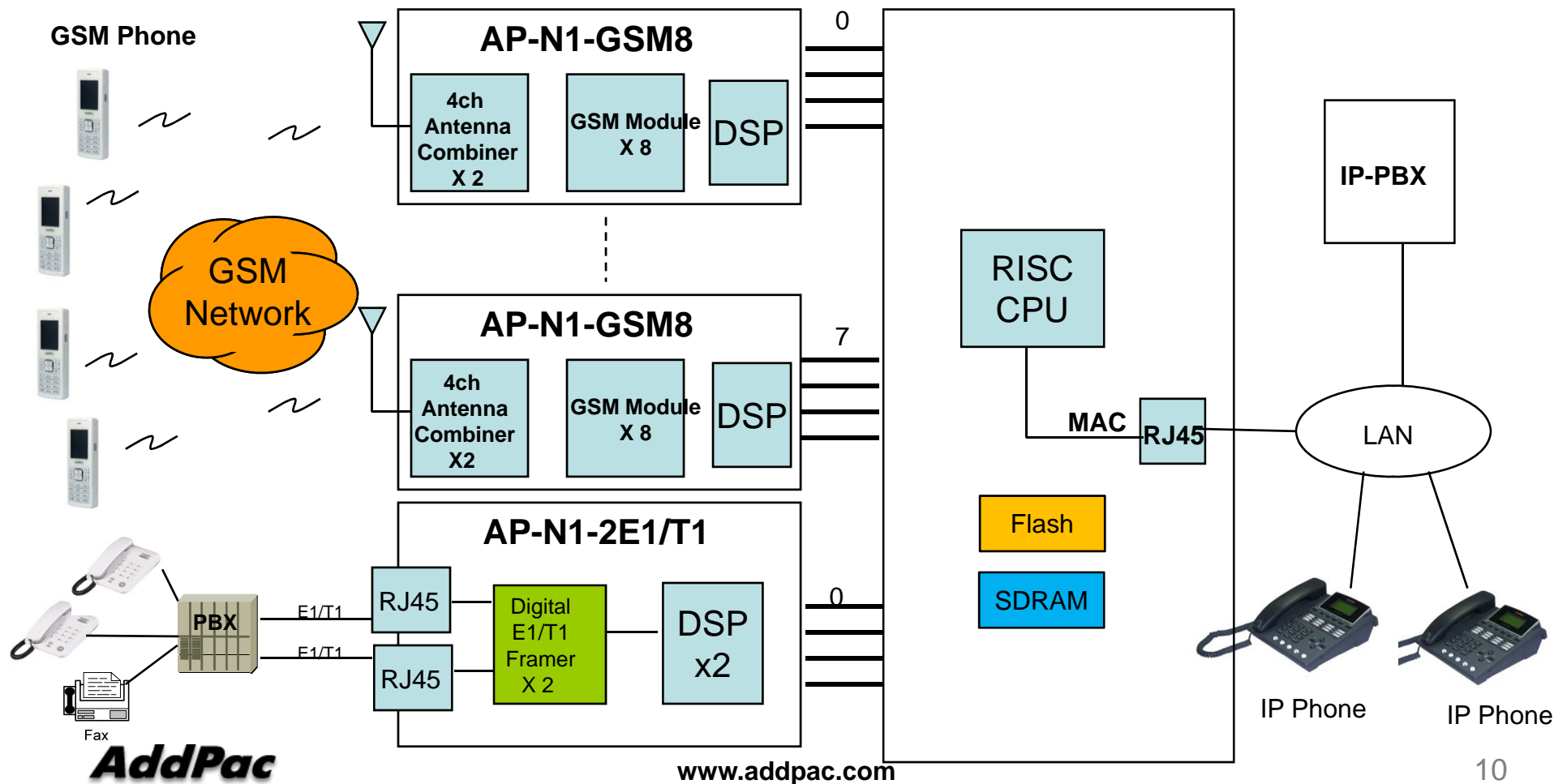
80-Port GSM Gateway Service Diagram



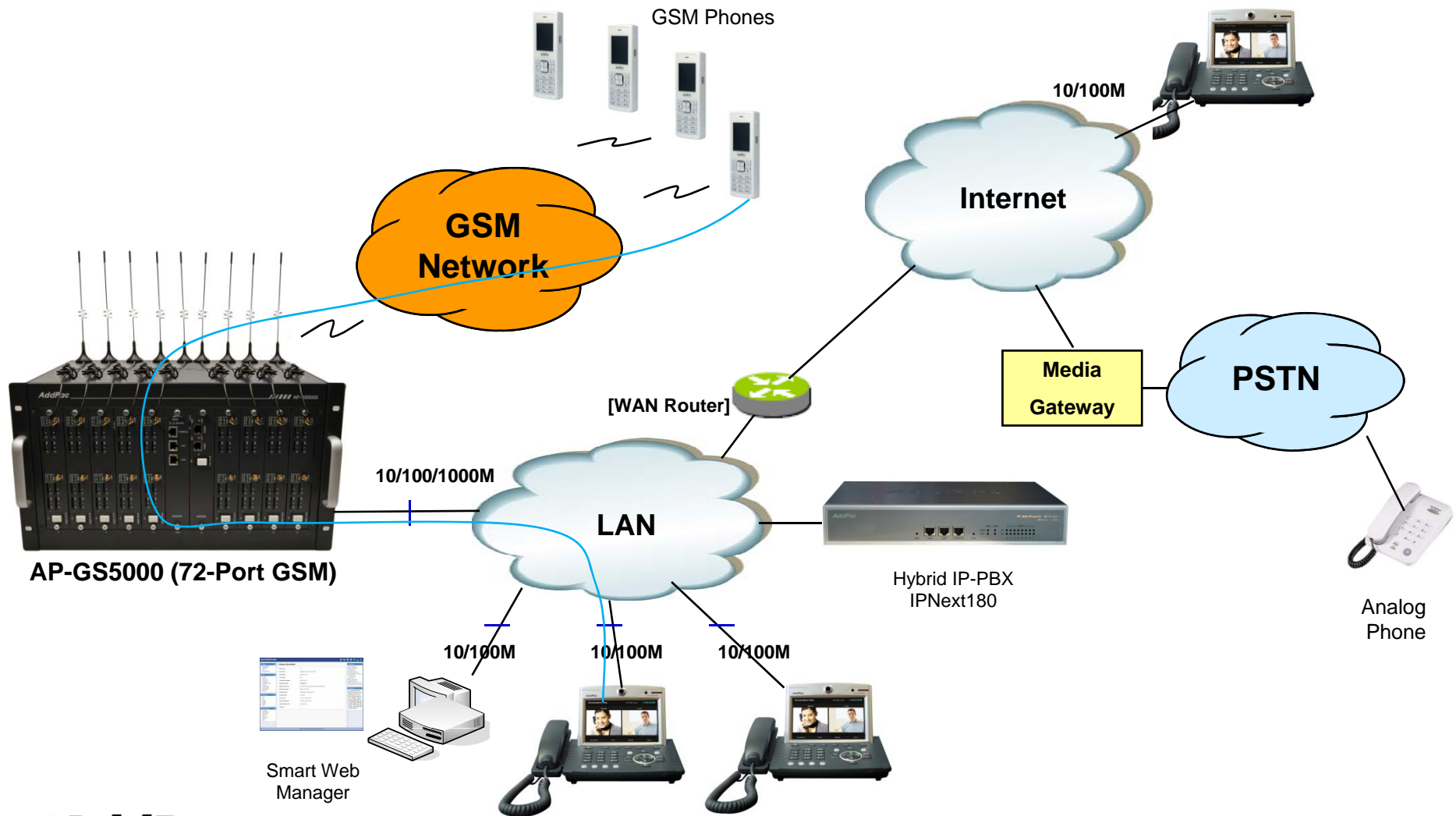
72-Port GSM + Digital 2 E1/T1 Configuration

GSM Gateway Service Diagram

72-Port GSM + Digital 2 E1/T1 Gateway Service Diagram



Network Service Diagram



GSM Gateway Series

Thank you!

AddPac Technology Co., Ltd.
Sales and Marketing

Phone +82.2.568.3848 (KOREA)

FAX +82.2.568.3847 (KOREA)

E-mail sales@addpac.com