

Multi-Port GSM Gateway Series

Web based QoS Control



AddPac

AddPac Technology

2010, Sales and Marketing

www.addpac.com

Contents

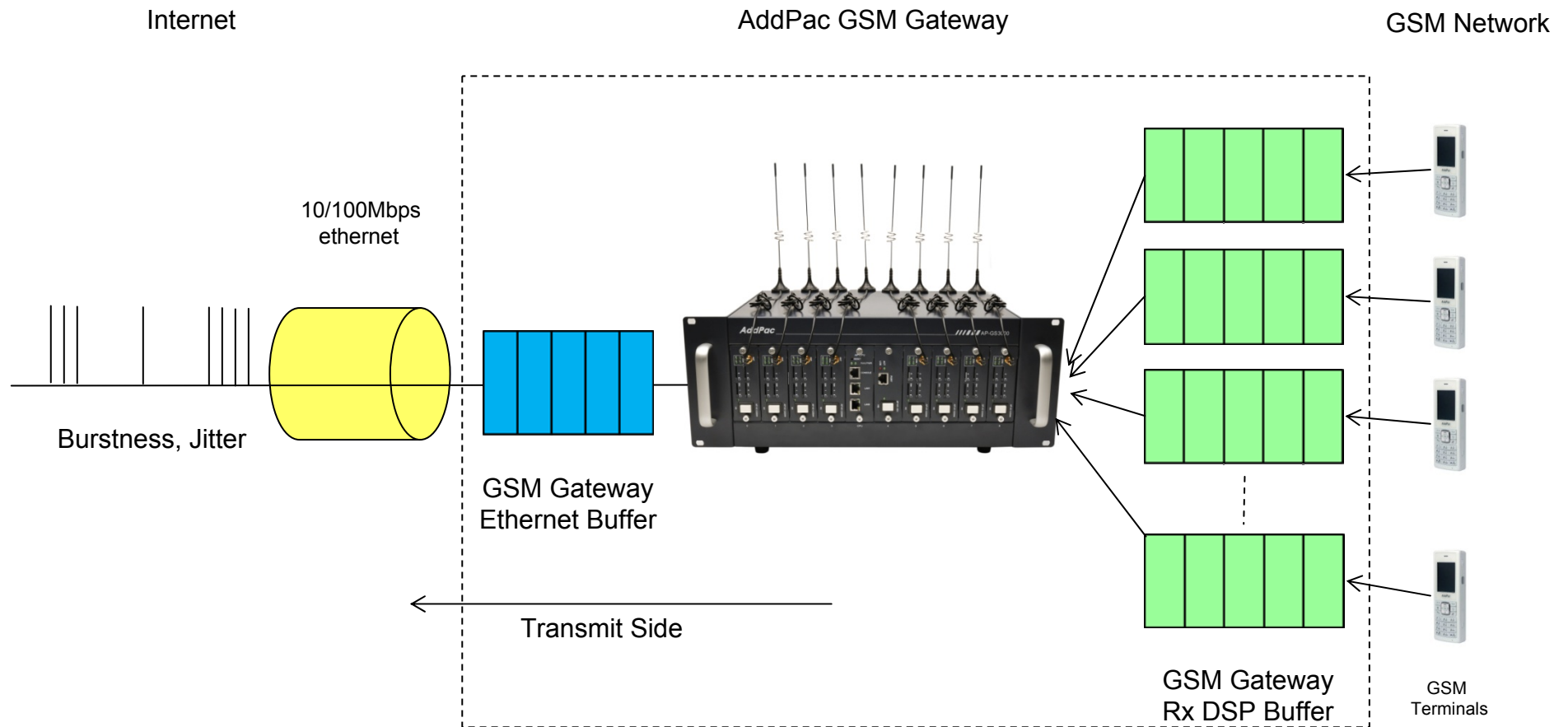
- Smart Web for QoS Control
- Packet Transmit Diagram (before, after QoS mode)



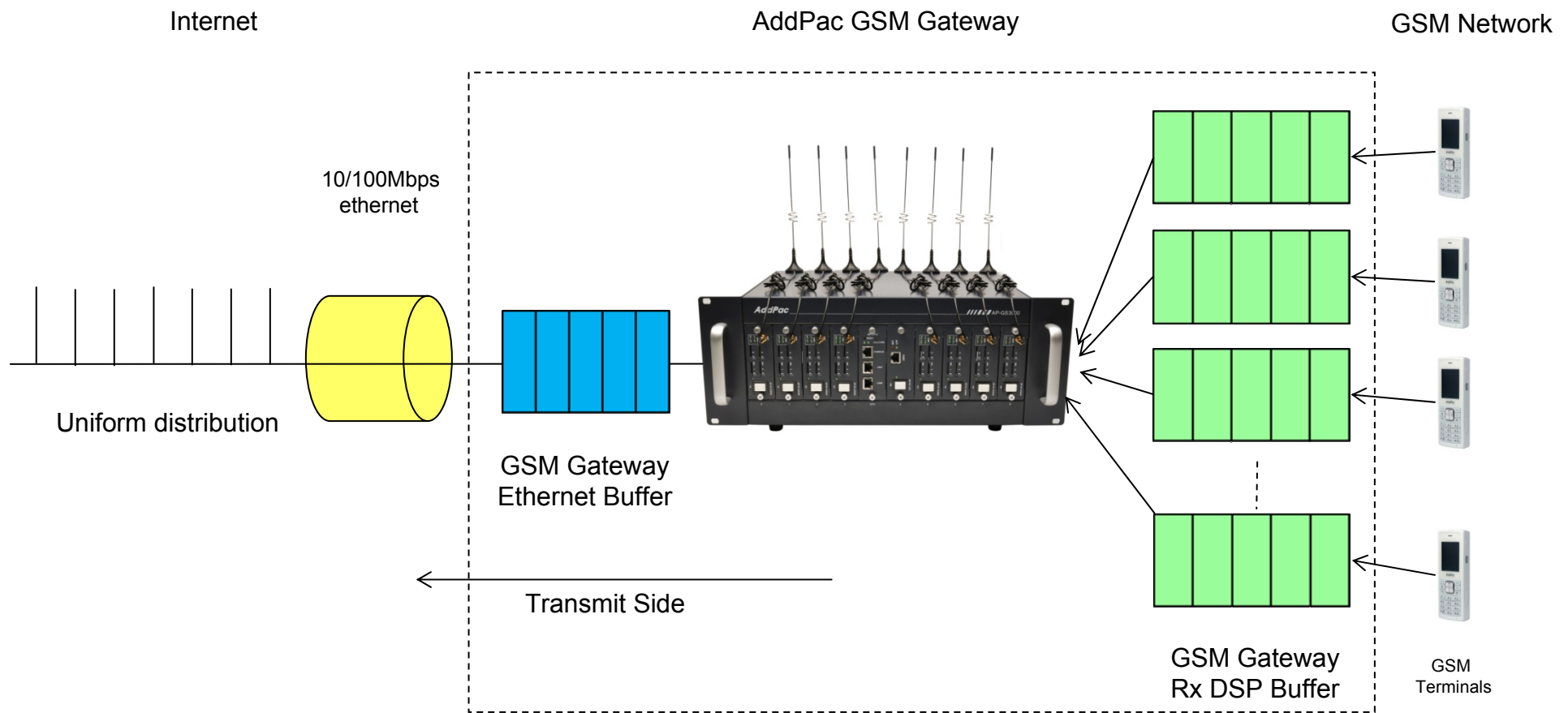
QoS Control

The screenshot displays the 'Smart Web Manager' interface for 'WAN & Tunneling Setup'. The left sidebar contains a navigation menu with 'System' expanded, showing 'WAN Setup' highlighted with a red dashed box. The main content area is titled 'WAN & Tunneling Setup' and includes sections for 'WAN Setup', 'Static IP', 'PPPoE(ADSL)', 'DHCP', 'VLAN', and 'QoS Control'. The 'QoS Control' section is highlighted with a red dashed box and contains an 'Enable QoS (optional)' checkbox, 'Bandwidth' and 'PPS' input fields, and their respective units. A yellow callout box points to the 'QoS Control' section with the text: 'QoS Control - Supported by Bandwidth and PPS(Packets Per Second) conditions.' At the bottom left, there is an 'Apply' button with a green checkmark icon.

Packet Transmit (Before QoS enable mode)



Packet Transmit (After QoS enable mode)



GSM Gateway Series

Thank you!

AddPac Technology Co., Ltd.
Sales and Marketing

Phone +82.2.568.3848 (KOREA)

FAX +82.2.568.3847 (KOREA)

E-mail sales@addpac.com