



# AP-IP90™

## BcN IP Phone

High Performance Broadband Convergence Network  
IP Phone Solution

### Standalone 3-Party Call Conference



# **AddPac**

AddPac Technology

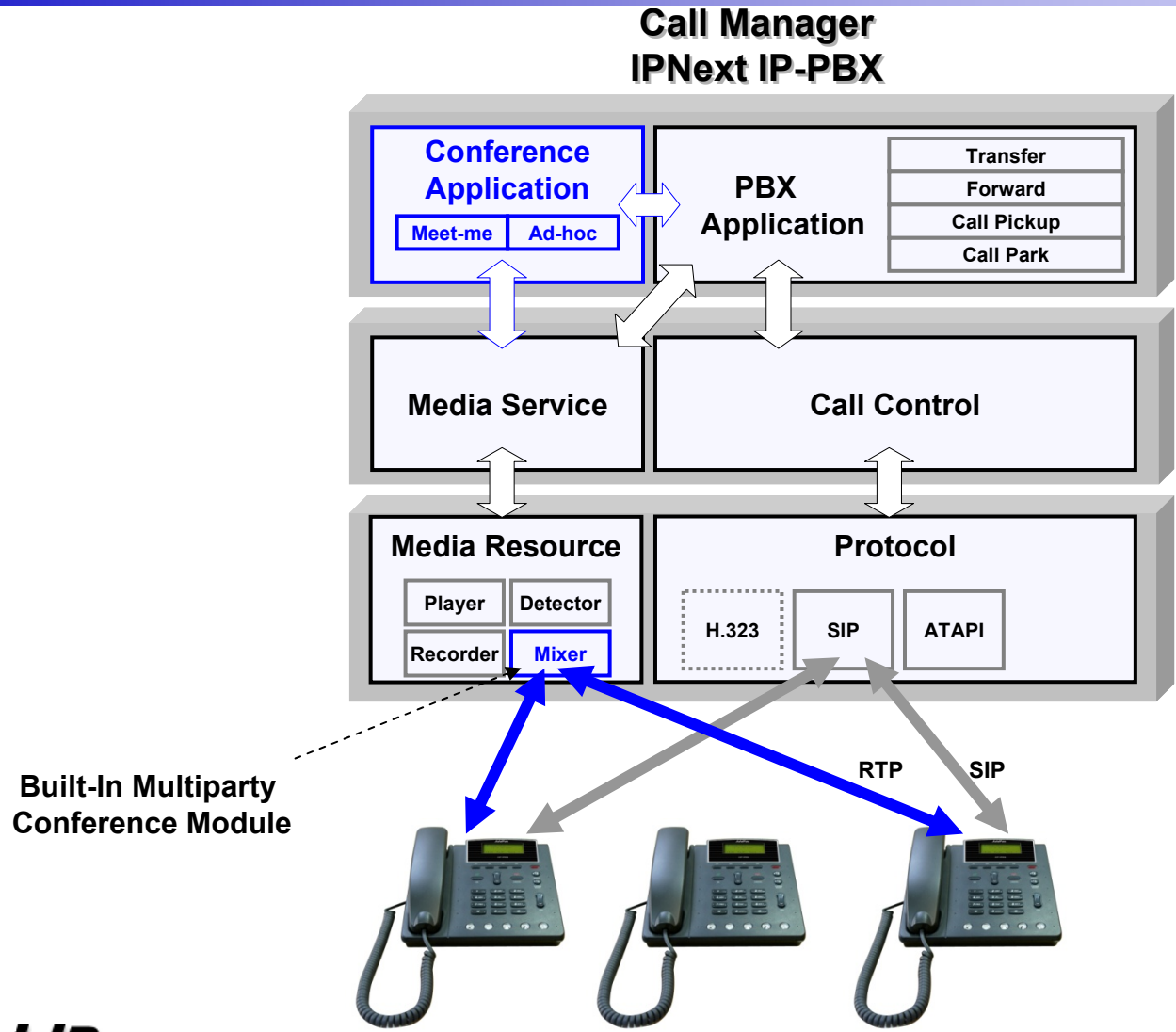
[www.addpac.com](http://www.addpac.com)

# Contents

- Multiparty Conference Model (IP-PBX)
- Multiparty Conference Model (External MCU)
- Standalone AP-IP90 3-Party Conference Model
- Network Diagram
- Signal Flow Diagram

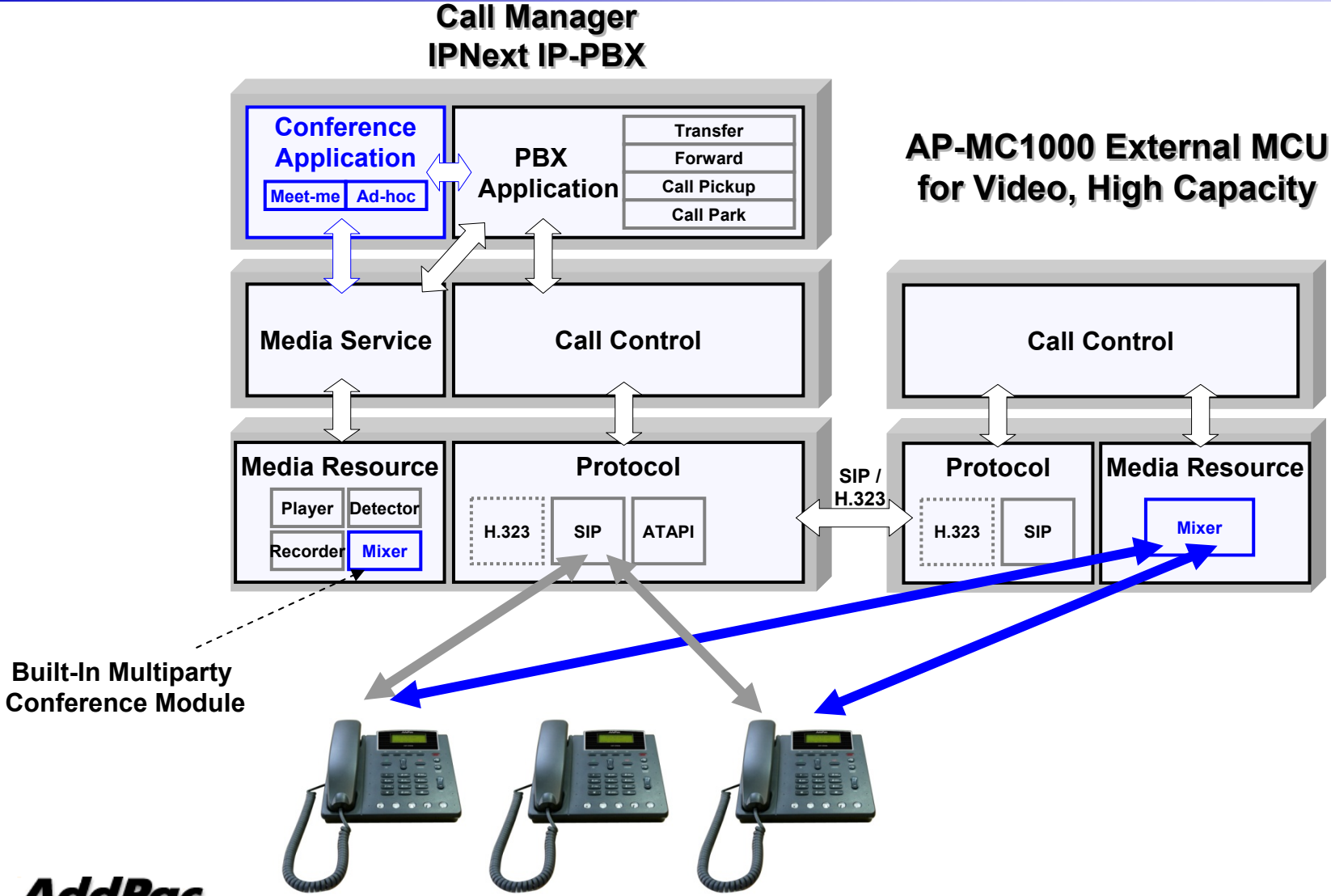
# Multiparty Conference Model

IPNext Series Built-In Multiparty Conference Module



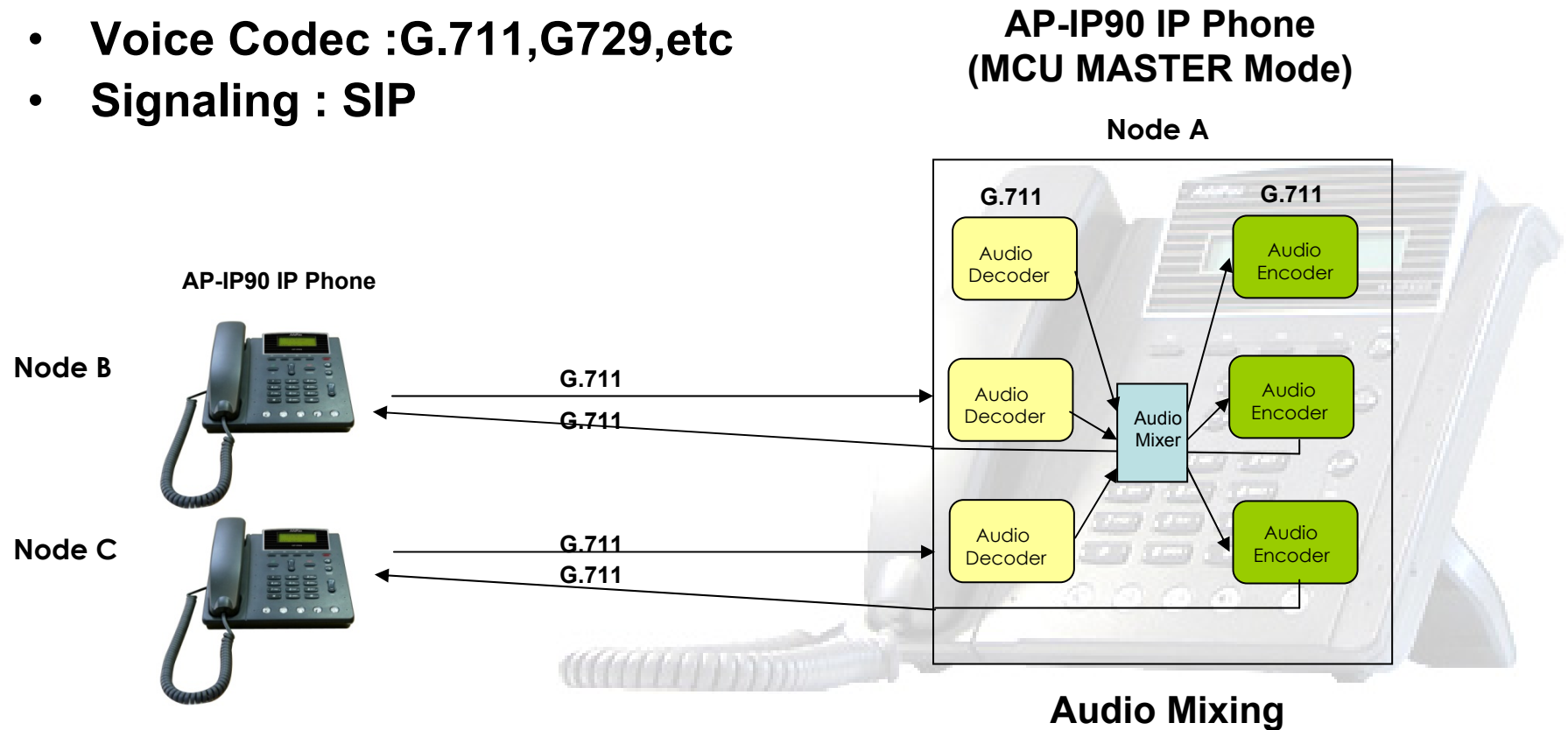
# Multiparty Conference Model

External MCU Model



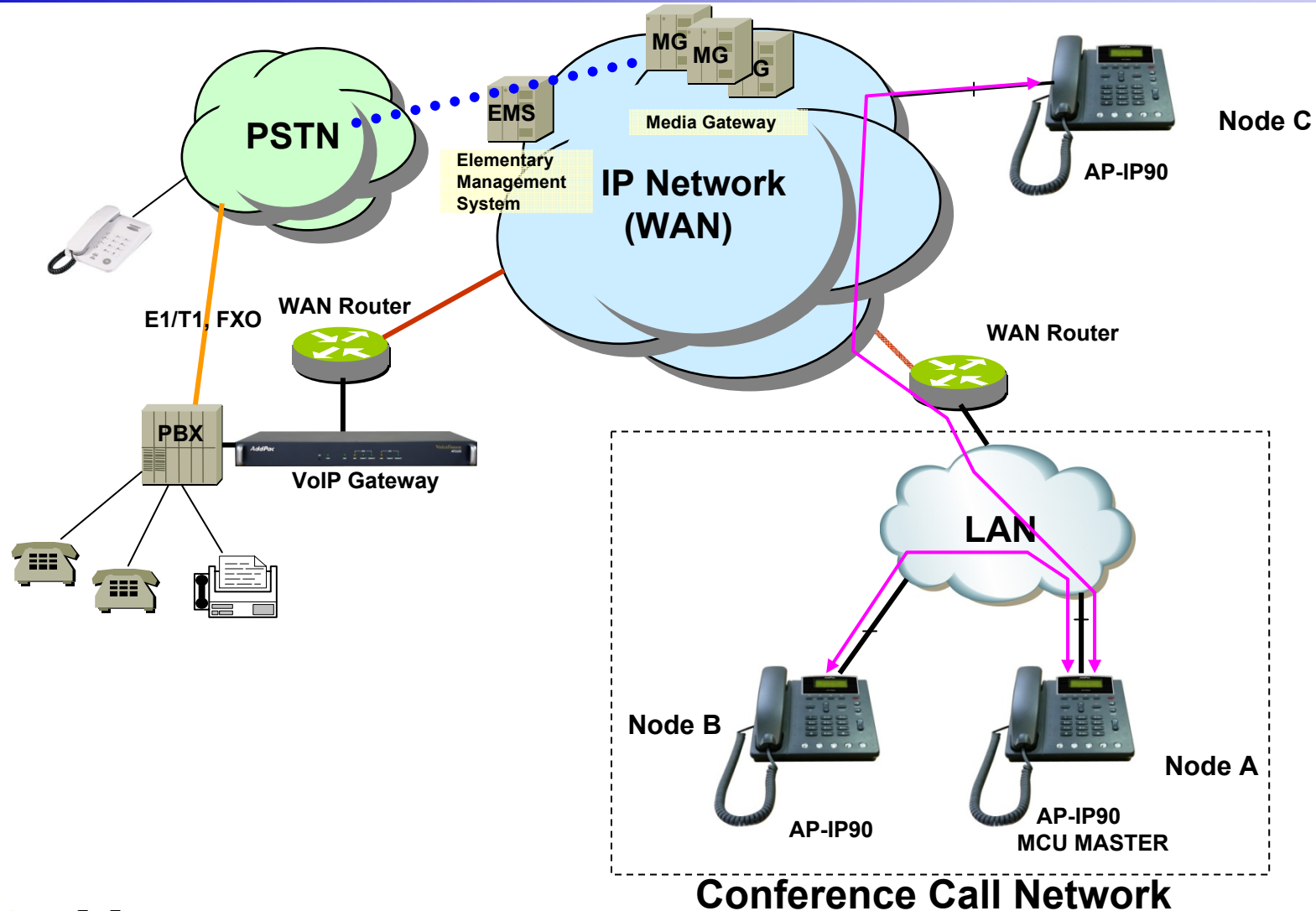
# Standalone 3-Party Conference Model

- **Voice Codec :G.711,G729,etc**
- **Signaling : SIP**



# Network Service Diagram

AP-IP90 IP Phone



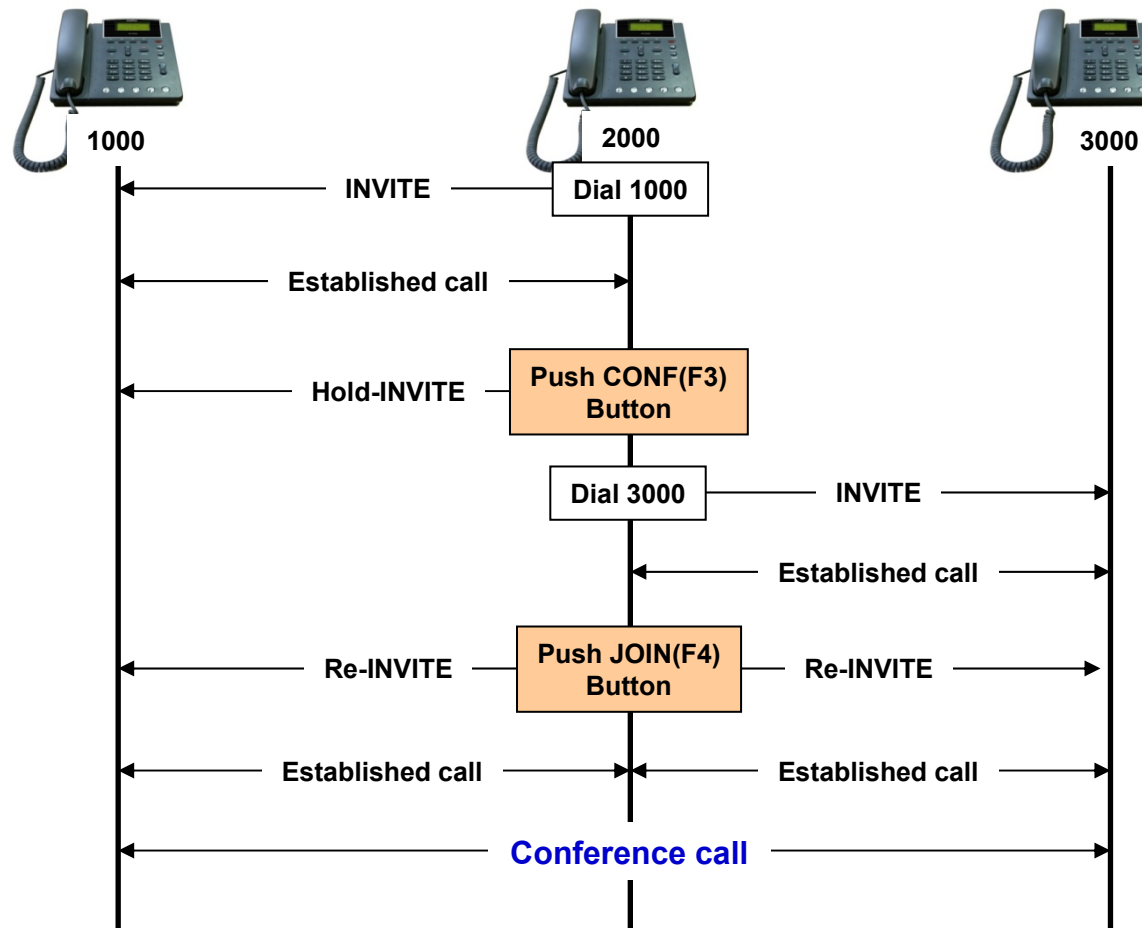
**AddPac**

[www.addpac.com](http://www.addpac.com)

# Signal Flow Diagram

AP-IP90 IP Phone Specific

## Conference Call Flow





# Thank you!

**AddPac Technology Co., Ltd.**  
Sales and Marketing

Phone +82.2.568.3848 (KOREA)

FAX +82.2.568.3847 (KOREA)

E-mail [sales@addpac.com](mailto:sales@addpac.com)