

Multi-Port GSM Gateway Series

Web based QoS Control



AddPac

AddPac Technology

2010, Sales and Marketing

www.addpac.com

Contents

- Smart Web for QoS Control
- Packet Transmit Diagram (before, after QoS mode)



QoS Control

The screenshot shows the 'Smart Web Manager' interface for 'WAN & Tunneling Setup'. The left sidebar contains a menu with 'System' expanded, showing 'Language', 'WAN Setup', 'LAN Setup', 'NAT', 'NTP', 'System Time', and 'File Browser'. The main content area is titled 'WAN & Tunneling Setup' and includes sections for 'WAN Setup', 'Static IP', 'PPPoE(ADSL)', 'DHCP', 'VLAN', and 'QoS Control'. The 'QoS Control' section is highlighted with a red dashed border and contains an 'Enable QoS (optional)' checkbox, 'Bandwidth' and 'PPS' input fields, and their respective units and default ranges. A yellow callout box points to the 'QoS Control' section with the text: 'QoS Control - Supported by Bandwidth and PPS(Packets Per Second) conditions.' An 'Apply' button is located at the bottom left of the main content area.

Smart Web Manager
www.addpac.com

System -
Language
• **WAN Setup**
• LAN Setup
• NAT
• NTP
• System Time
• File Browser

Basic +
Advanced +
Miscellaneous +
LCR +
SMS +

WAN & Tunneling Setup

WAN Setup

Hostname Router

IP Address 172.16.9.120 A.B.C.D
Network Mask 255.255.0.0 A.B.C.D
Default Router 172.16.1.1 A.B.C.D

Static IP

DNS Server Primary DNS Server
Secondary DNS Server

User name
Password

PPPoE(ADSL)

Authentication (No Authentication)
 PAP (PPP Authentication Protocol)
 CHAP(Challenge Handshake Authentication Protocol)

DHCP

VLAN ID 0
Auto

Enable QoS (optional)

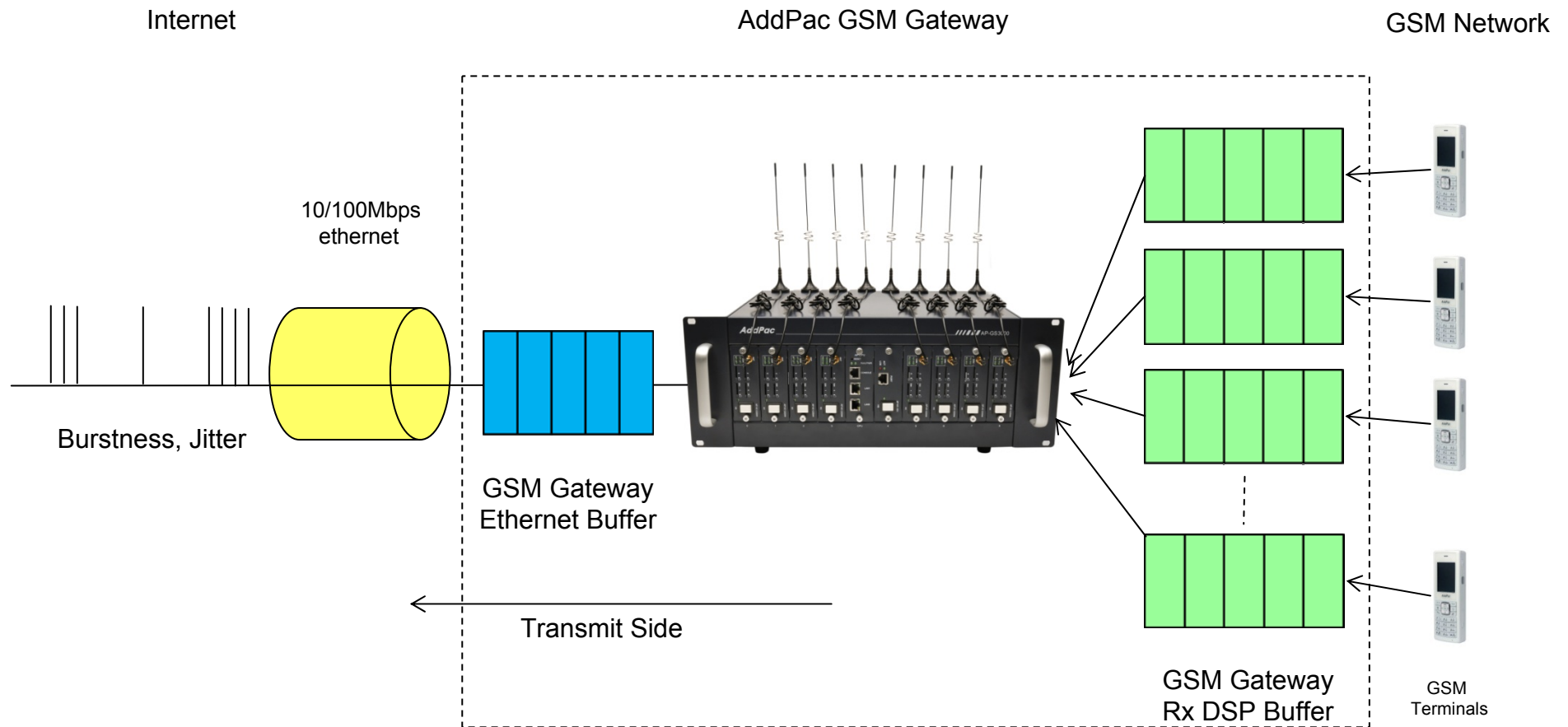
QoS Control

Bandwidth : Kbps (default auto, 48-4096)
PPS : pps (default auto, 50-2000)

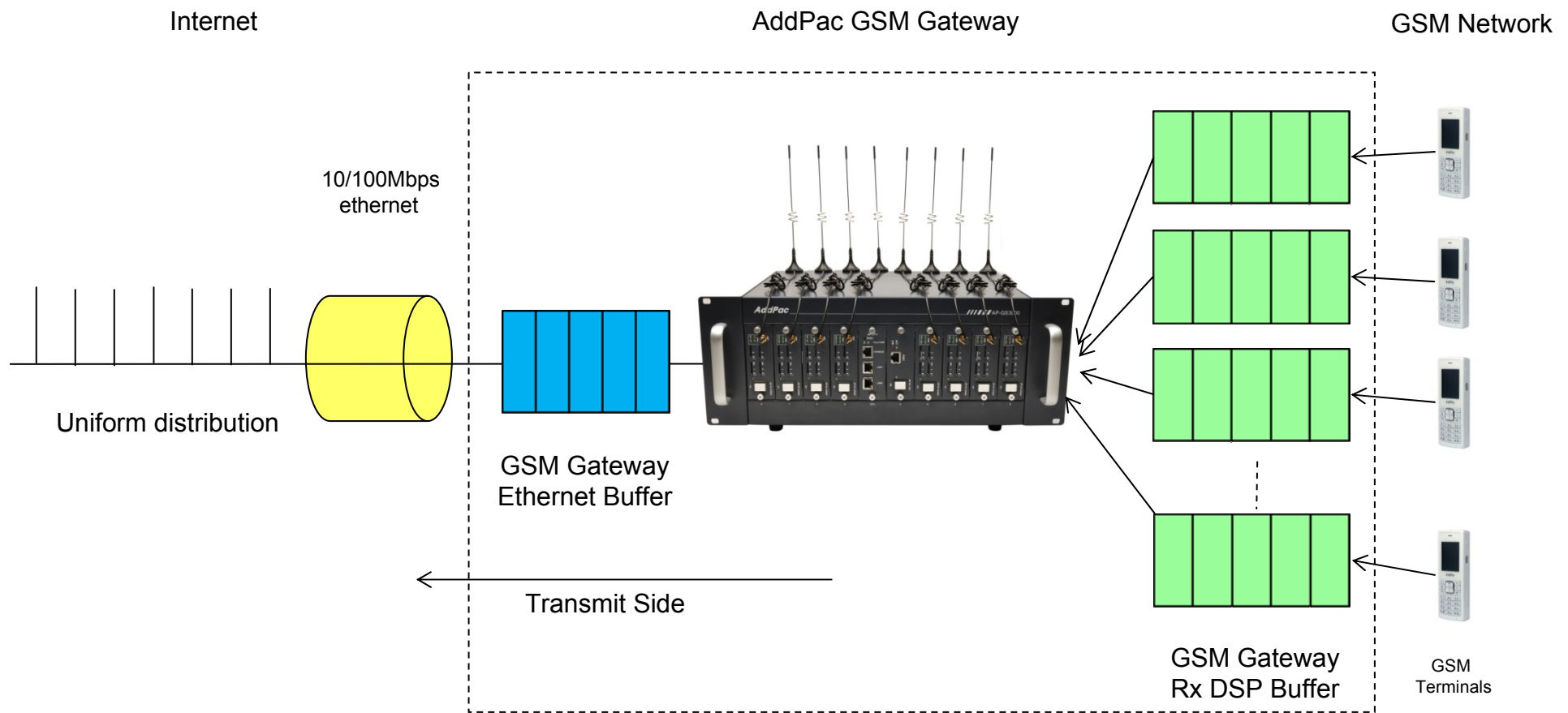
Apply

QoS Control
- Supported by Bandwidth and PPS(Packets Per Second) conditions.

Packet Transmit (Before QoS enable mode)



Packet Transmit (After QoS enable mode)



GSM Gateway Series

Thank you!

AddPac Technology Co., Ltd.
Sales and Marketing

Phone +82.2.568.3848 (KOREA)

FAX +82.2.568.3847 (KOREA)

E-mail sales@addpac.com