

AP-UMS1000™

Unified Messaging System

High-performance Unified Messaging System



AddPac

AddPac Technology

2008, Sales and Marketing

Contents

- Product Overview
- Product Highlight
- Hardware Specification
- Software Service
- Network based Voice Mailing Service
- Smart UMS Management S/W Features
- Application Service
- Ordering Information

Product Overview

AP-UMS1000 Enterprise Unified Messaging System

- IP based Network Unified Messaging System
- Powerful Management and User Friendly Features
- Fault Tolerant and Scalability Architecture
- High-performance Voice Mailing Service
- Voice Transcoding (Up to 64 Channel) Function Support
- Firmware Upgradeable Architecture
- Two(2) Gigabit Ethernet Interface
- Two(2) 3.5Inch IDE type Hard Module Slot
- RAID 1 Hard Disk Backup

Product Highlights

AP-UMS1000 Enterprise Unified Messaging System

Next Generation IP based Network Unified Messaging System

Embedded System for Stability

Fault Tolerant and
Scaleable Architecture

RAID 1 Hard Disk Backup
(3.5 Inch IDE Hard Disk)

Two(2) Hard Disk Slots
(Hot-Swap Support)

Firmware Upgradeable
Architecture



Smart UMS Manager for
System Management

APOS™ Technology
Multimedia Network Protocol

USB Host Mode Interface
for Secondary Backup (DVD
Writer), etc

High Performance Voice
Mailing Solution

Two(2) 10/100/1000Mbps
Gigabit Ethernet

Voice Transcoding
Function Support
www.addpac.com

Hardware Specification

AP-Ums1000 Enterprise Unified Messaging System

64bit
CPU

- **RISC Microprocessor Computing Power**
- **Main Chassis**
 - **Network Interface**
 - Two(2) 10/100/1000Mbps Gigabit Ethernet
 - One(1) RS-232C Console (RJ45)
 - **USB Host Mode Interface for DVD Backup, etc**
 - **Two(2) Hard Disk Interface Slot for RAID1 Configuration**



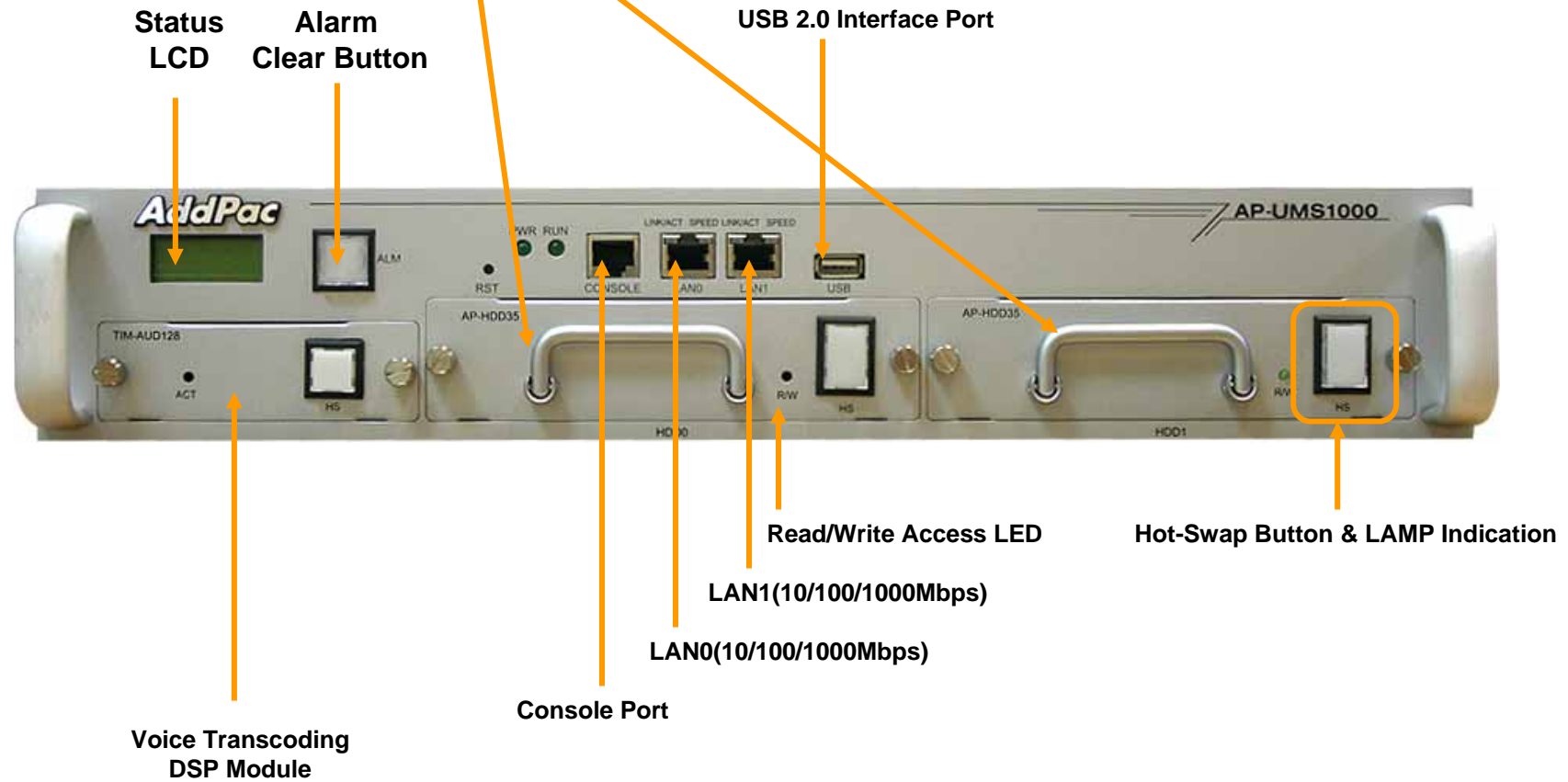
Hardware Specification

AP-UMS1000 Enterprise Unified Messaging System



- **Hard Disk Module (RAID 1)**

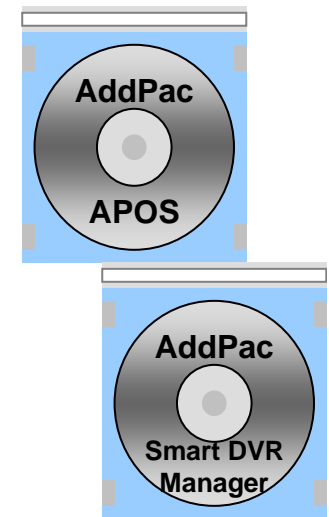
AP-UMS1000 Front Side



Software Service

AP-UMS1000 Enterprise Unified Messaging System

- **Built-in AddPac Internetworking Software**
 - Scalability, Functionality, and Stability Features
 - Advanced Network Voice Mailing Service Features
 - QoS Control Features
- **Firmware Upgradeable Architecture**
- **Industry Standard Network Protocol Features**
- **Highly User Friendly Management Features**
 - PC based Window Program
 - Smart UMS Manager



Network based Voice Mailing Service

AP-UMS1000 Enterprise Unified Messaging System

- Enterprise Voice Mail Server
- IVR Editor Support
- Voice Mailing Service with IVR(Interactive Voice Response)
- Voice Mailing Notification Service
- Access from Remote Site via Trunk
- AddPac IP-PBX Inter-working Service
- Pre-recorded Voice File IVR service
- Recording Session Management (Voice File Recording, etc)
- Voice Transcoding Service
- Highly User Friendly Management Features
 - PC based Window Program
 - Smart VMS Manager

Smart UMS Management S/W Features

AP-UMS1000 Enterprise Unified Messaging System

- UMS Server System Management (search/modify/delete/save)
- UMS Server Cluster Management (search/modify/delete/save)
- UMS Server Email Notification Setting (SMTP Server)
- Address Pool Management (search/modify/delete/save)
- Create Message Box from unassigned address
- Default Unified Message Box Configuration (HDD Quota, Email Notification, Account Blocking)
- Personal Unified Message Box Configuration (HDD Quota, Email Notification, Account Blocking)
- Unified Message Box Management (initialize/move/delete)
- Unified Message Management (move/delete)
- Real-time UMS List Search
- Synchronize Message Box
- UMS Server System Performance and Status Monitoring (CPU/Memory/HDD/Traffic)
- UMS Session Monitoring

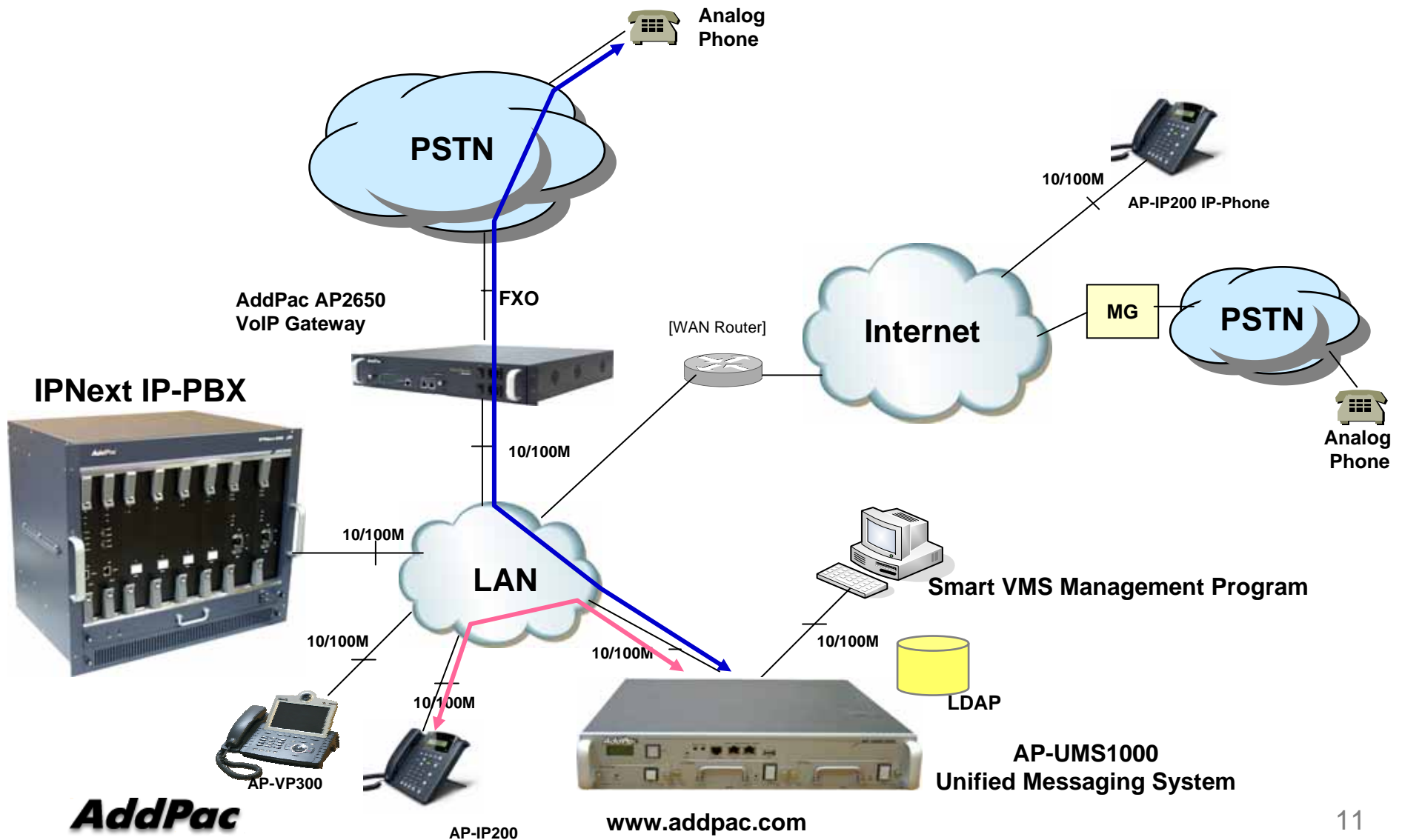
Application Service

AP-UMS1000 Enterprise Unified Messaging System

- Enterprise All IP Network Application



UMS App. for All IP Environment



Ordering Information

- **Network Unified Messaging System Hardware**
 - AP-UMS1000 Main Body
 - High-performance 64bit RISC CPU
 - 2-ports 10/100/1000Mbps Ethernet and 1-port RS-232C Console
 - 1-Port USB Interface
 - Including Network Cable Set & Power Supply Cable, etc.
 - Optional Voice Transcoding DSP Module for Multi-Voice Codec
 - RAID 1 Hard Disk (2x3.5 Inch IDE Type HDD, 300G Default)
- **Including 1 Year Hardware Warranty**
- **Product Documents**
 - Install and Operation Guide (PDF)
- **Pricing**
 - AddPac Technology Regional Sales Manager
 - Authorized Sales and Marketing Representatives
 - Please Contact www.addpac.com



Thank you!

AddPac Technology Co., Ltd.
Sales and Marketing

Phone +82.2.568.3848 (KOREA)

FAX +82.2.568.3847 (KOREA)

E-mail sales@addpac.com