



AP1800™

New VoIP Gateway

High Performance VoIP Gateway Solution

Digital E1 PSTN Backup Module



AddPac

AddPac Technology

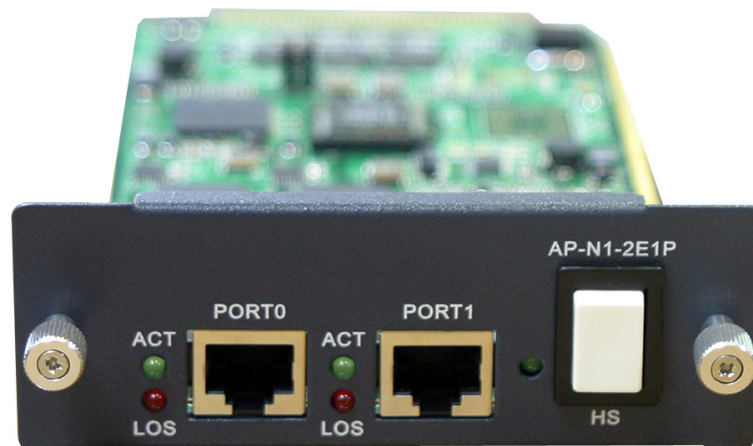
2007, Sales and Marketing

www.addpac.com

Contents

AP1800 VoIP Gateway

- AP1800 Product Overview
- Current Digital E1 VoIP Migration Concept
- New Digital E1 VoIP Migration Concept
- Digital E1 PSTN backup Module (Cost Effective Solution)



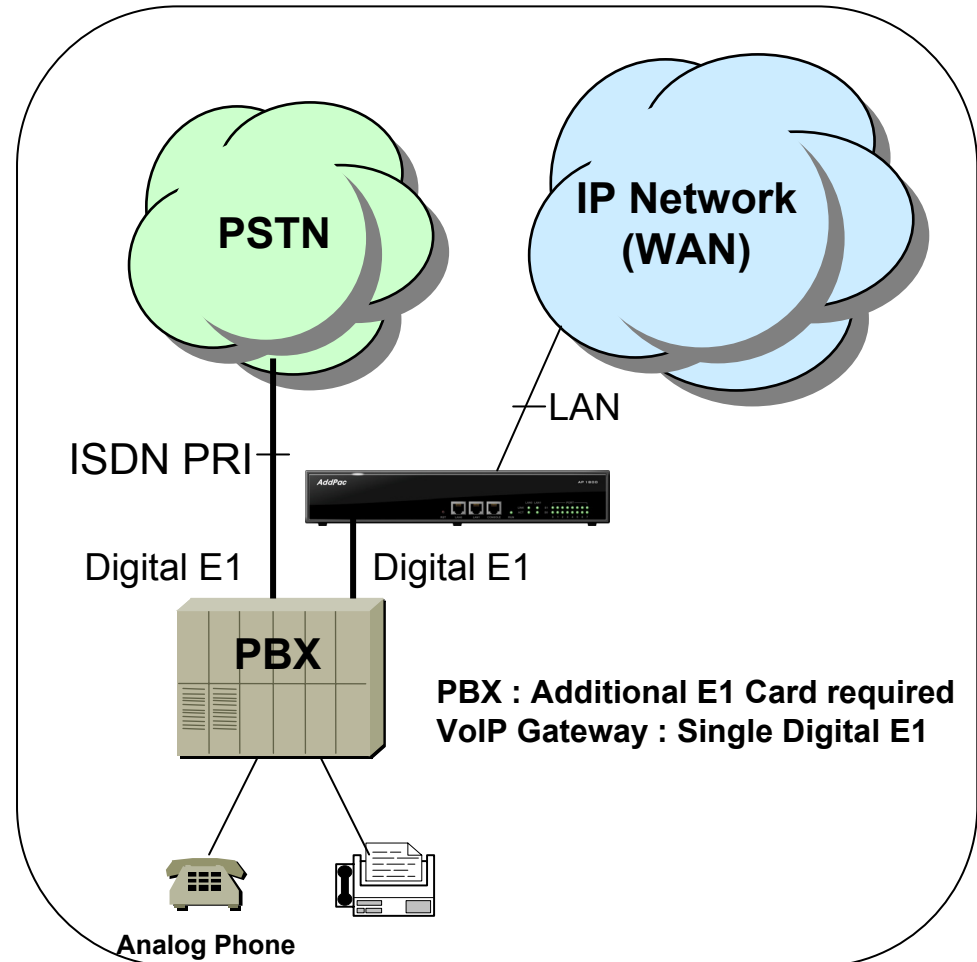
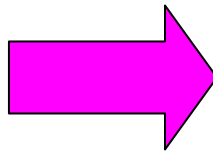
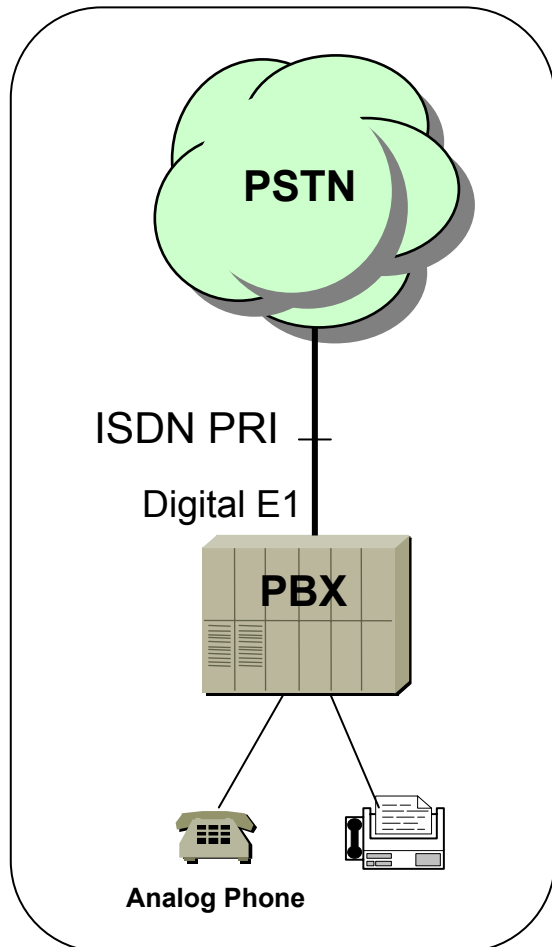
Product Overview

AP1800 VoIP Gateway

- H.323/SIP/MGCP Triple Concurrent Stack Embedded
- High Performance RISC & Programmable DSP Architecture
- Two(2) 10/100Mbps Fast Ethernet (IP Share ,etc)
- High Performance LAN-to-LAN Routing Capability
- G.711/G.726/G.723/G.729, T.38 Fax , VAD, etc
- Powerful Network Protocols (PPPoE, DHCP, Static Routing, etc)
- Firmware Upgradeable Architecture
- VPMS (VoIP Plug&Play Management System) for Large Scale Deployment
- Advanced Voice QoS Mechanism
- Light and Compact Design with Internal Power Supply
- Two(2) VoIP Module Slot

Current Digital E1 VoIP Migration Concept

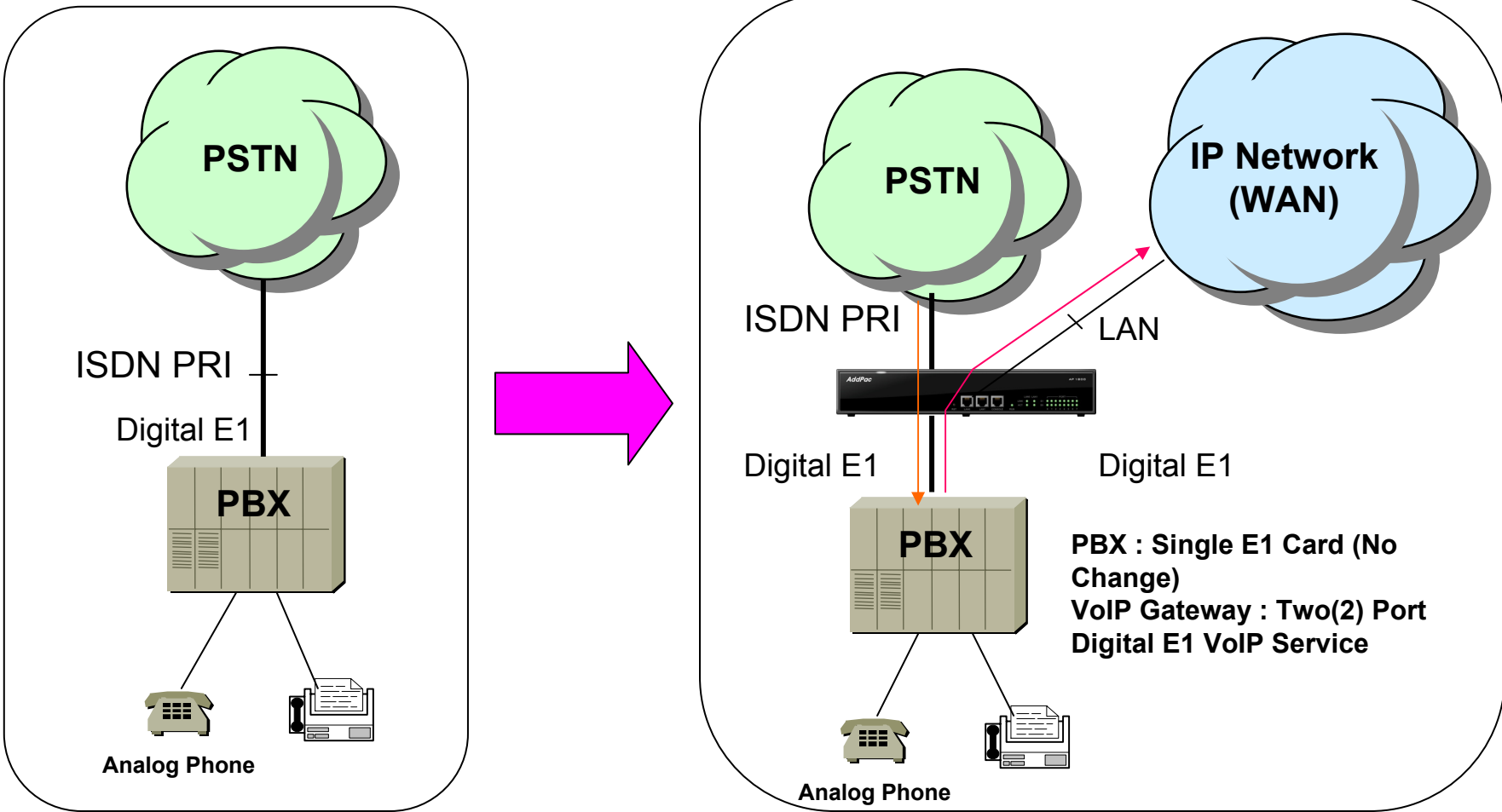
AP1800 VoIP Gateway



PBX : Additional E1 Card required
VoIP Gateway : Single Digital E1

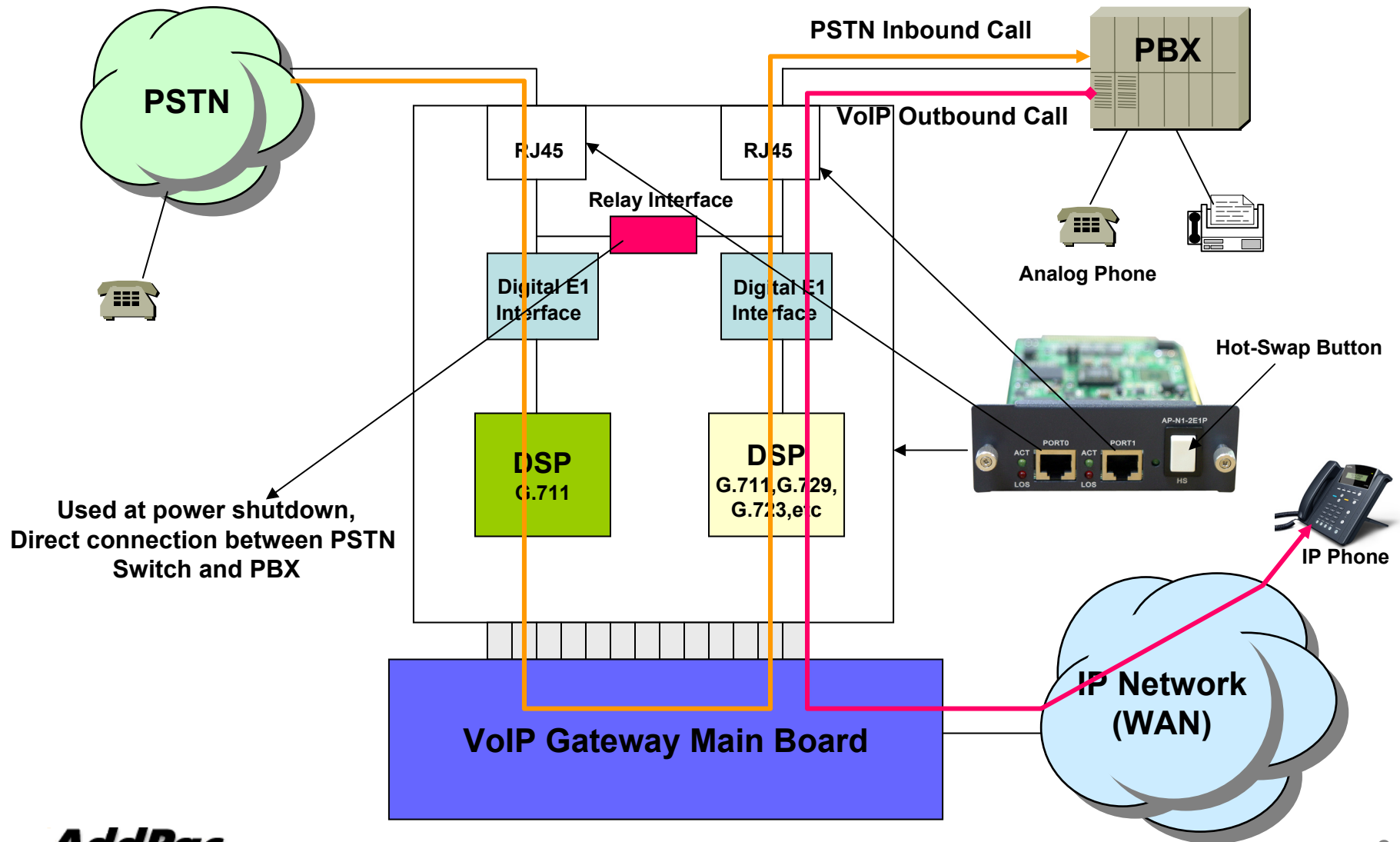
New Digital E1 VoIP Migration Concept

AP1800 VoIP Gateway



Digital E1 PSTN Backup Module(AP-N1-2E1P)

AP1800 VoIP Gateway



VoIP Gateway Series

Thank you!

AddPac Technology Co., Ltd.
Sales and Marketing

Phone +82.2.568.3848 (KOREA)

FAX +82.2.568.3847 (KOREA)

E-mail sales@addpac.com