



AP1800™

VoIP Gateway

High Performance VoIP Gateway Solution

H/W Design Concept



AddPac

AddPac Technology

2011, Sales and Marketing

www.addpac.com

Contents

- Product Overview
- Hardware Specification
- AP-N1-FXS8 Module Diagram
- AP-N1-FXO8 Module Diagram
- AP-N1-FXS4O4 Module Diagram
- AP-N1-E1/T1 Module Diagram
- AP-N1-FXS8 H/W Block Diagram
- AP-N1-FXO8 H/W Block Diagram
- AP-N1-FXS4O4 H/W Block Diagram
- AP-N1-E1/T1 H/W Block Diagram
- 16-Port FXS Service H/W Configuration
- 16-Port FXO Service H/W Configuration
- 8-Port FXS+ 1-Port Digital E1/T1 Service Network Diagram

Product Overview

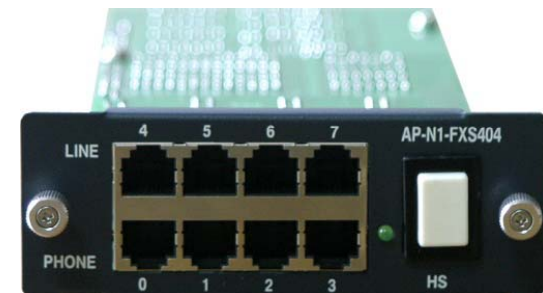
- H.323/SIP/MGCP Triple Concurrent Stack Embedded
- High Performance RISC & Programmable DSP Architecture
- Two(2) 10/100Mbps Fast Ethernet (IP Share ,etc)
- High Performance LAN-to-LAN Routing Capability
- G.711/G.726/G.723/G.729, T.38 Fax , VAD, etc
- Powerful Network Protocols (PPPoE, DHCP, Static Routing, etc)
- Firmware Upgradeable Architecture
- VPMS (VoIP Plug&Play Management System) for Large Scale Deployment
- Advanced Voice QoS Mechanism
- Light and Compact Design with Internal Power Supply
- Two(2) VoIP Module Slot

Hardware Specification

RISC
CPU

High-end
DSP

- RISC Microprocessor Computing Power
- Two(2) Module Slot for Analog Interface
- VoIP Interface Modules
 - 8-Port FXS Module (AP-N1-FXS8)
 - 8-Port FXO Module (AP-N1-FXO8)
 - 4-Port FXS & 4-Port FXO Module (AP-N1-FXS4O4)
 - 1-Port Digital E1/T1 (AP-N1-E1/T1)
 - 2-Port Digital E1/T1 (AP-N1-2E1/T1)
 - Hot-Swap
- Network Interface
 - Two(2) 10/100Mbps Fast Ethernet (RJ45)
- RS232C Console Interface for CLI
- Run LED, LAN LED, Port LEDs
- Internal Power Supply

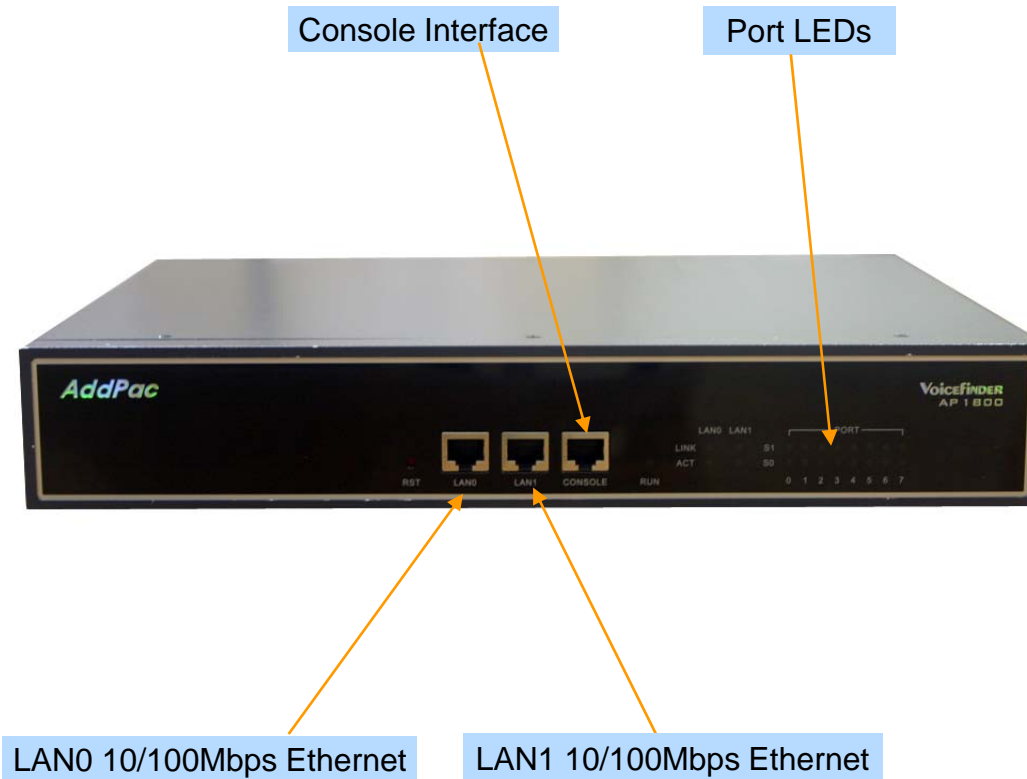


Hardware Specification

RISC
CPU

High-end
DSP

Front Side View

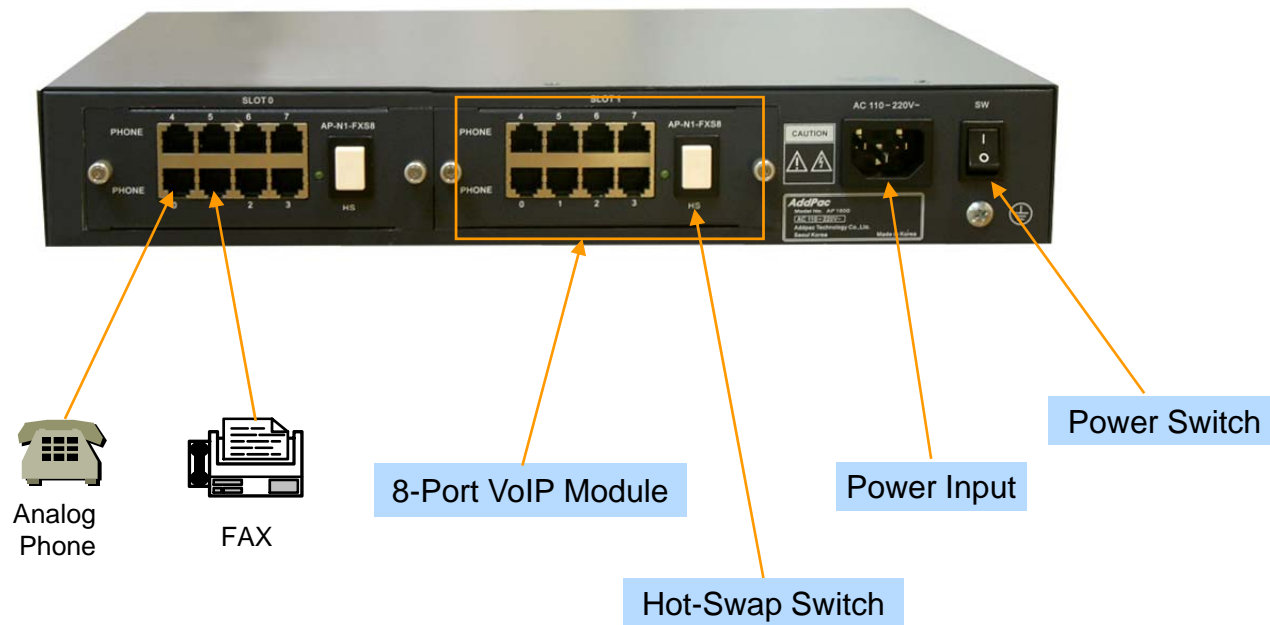


Hardware Specification

RISC
CPU

High-end
DSP

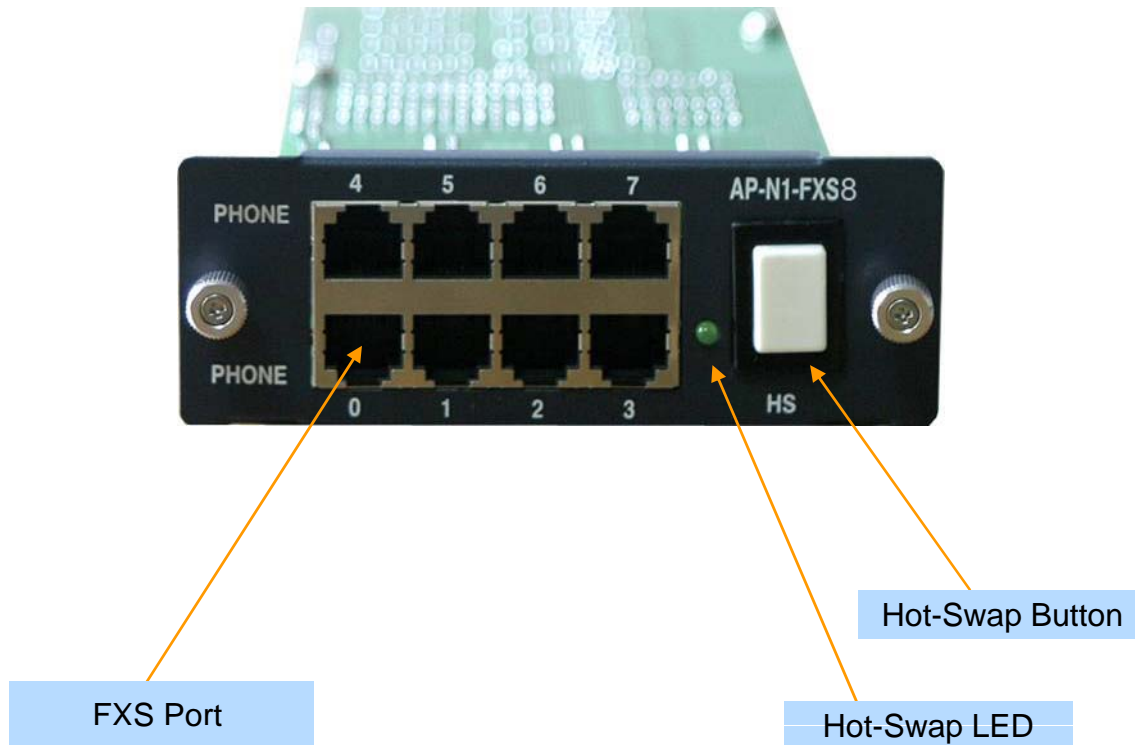
Back Side View



AP-N1-FXS8 Module Diagram

RISC
CPU

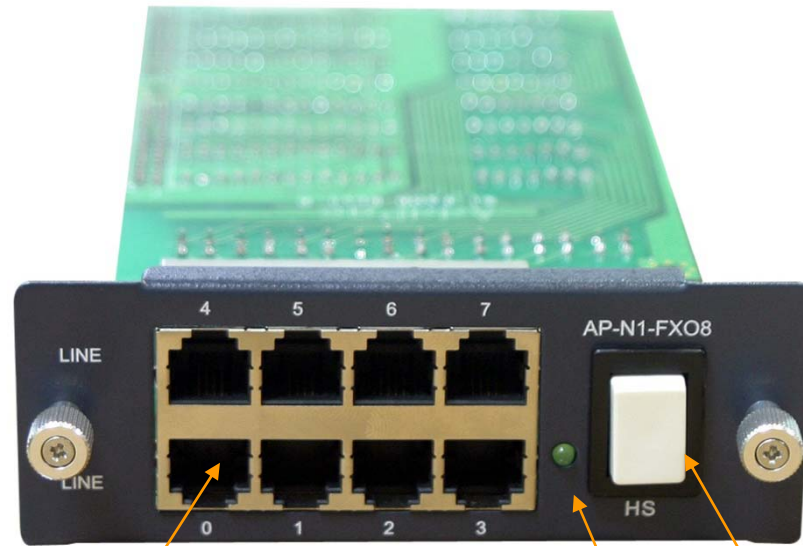
High-end
DSP



AP-N1-FXO8 Module Diagram

RISC
CPU

High-end
DSP



FXO Port

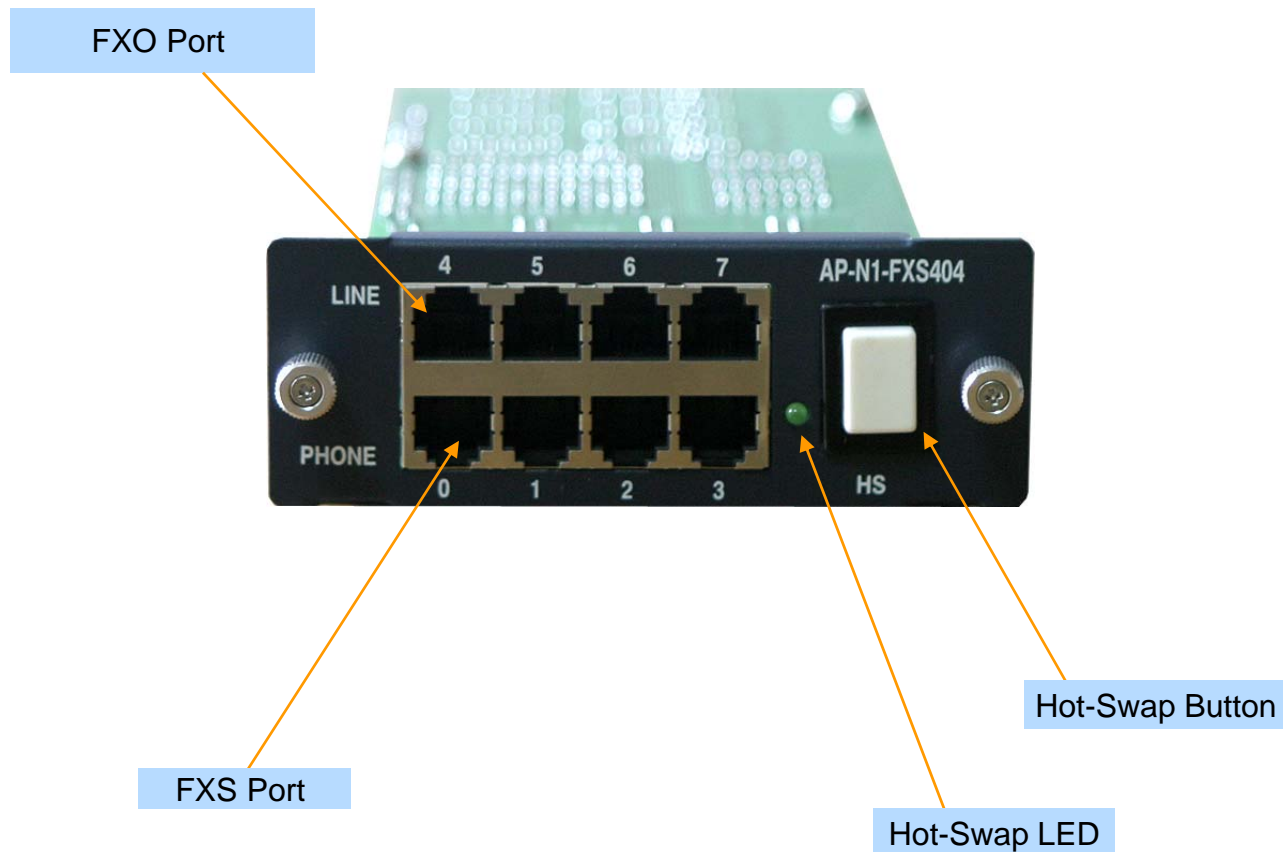
Hot-Swap Button

Hot-Swap LED

AP-N1-FXS4O4 Module Diagram

RISC
CPU

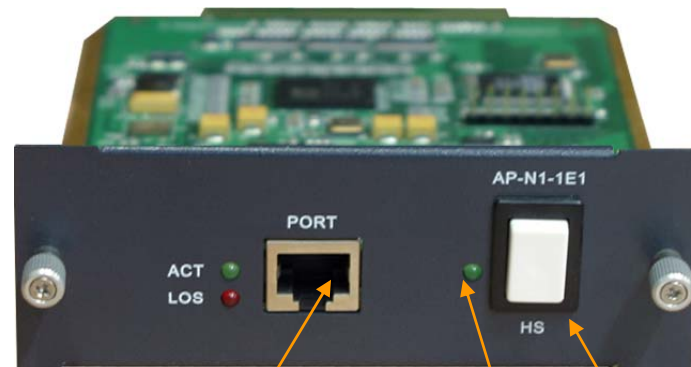
High-end
DSP



AP-N1-E1/T1 Module Diagram

RISC
CPU

High-end
DSP



Digital E1/T1 Port (RJ45)

Hot-Swap LED

Hot-Swap Button

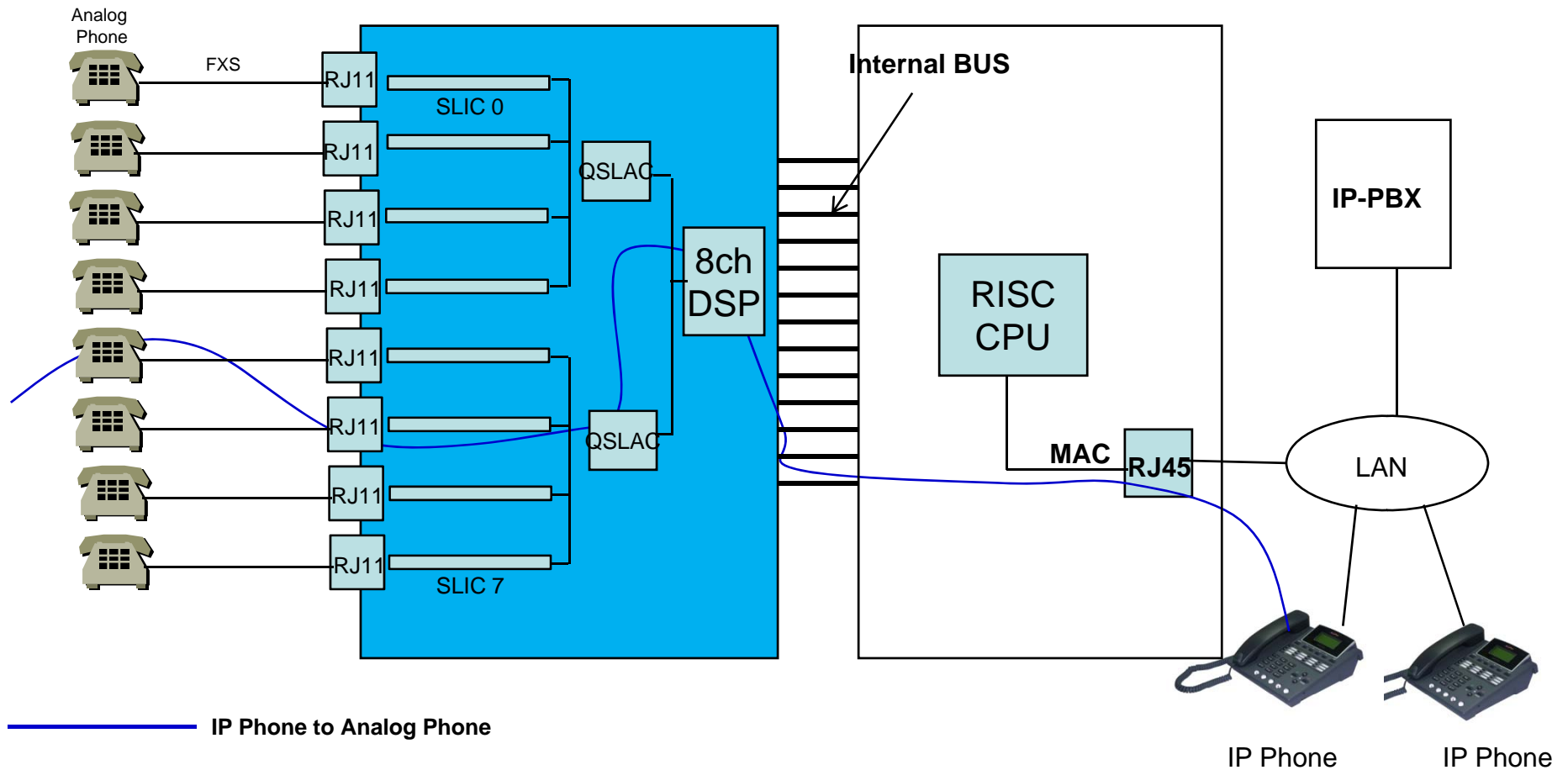
AP-N1-FXS8 H/W Block Diagram

RISC
CPU

High-end
DSP

VoIP Gateway Service Diagram

AP-N1-FXS8 8-Port FXS Module Internal H/W Block Diagram



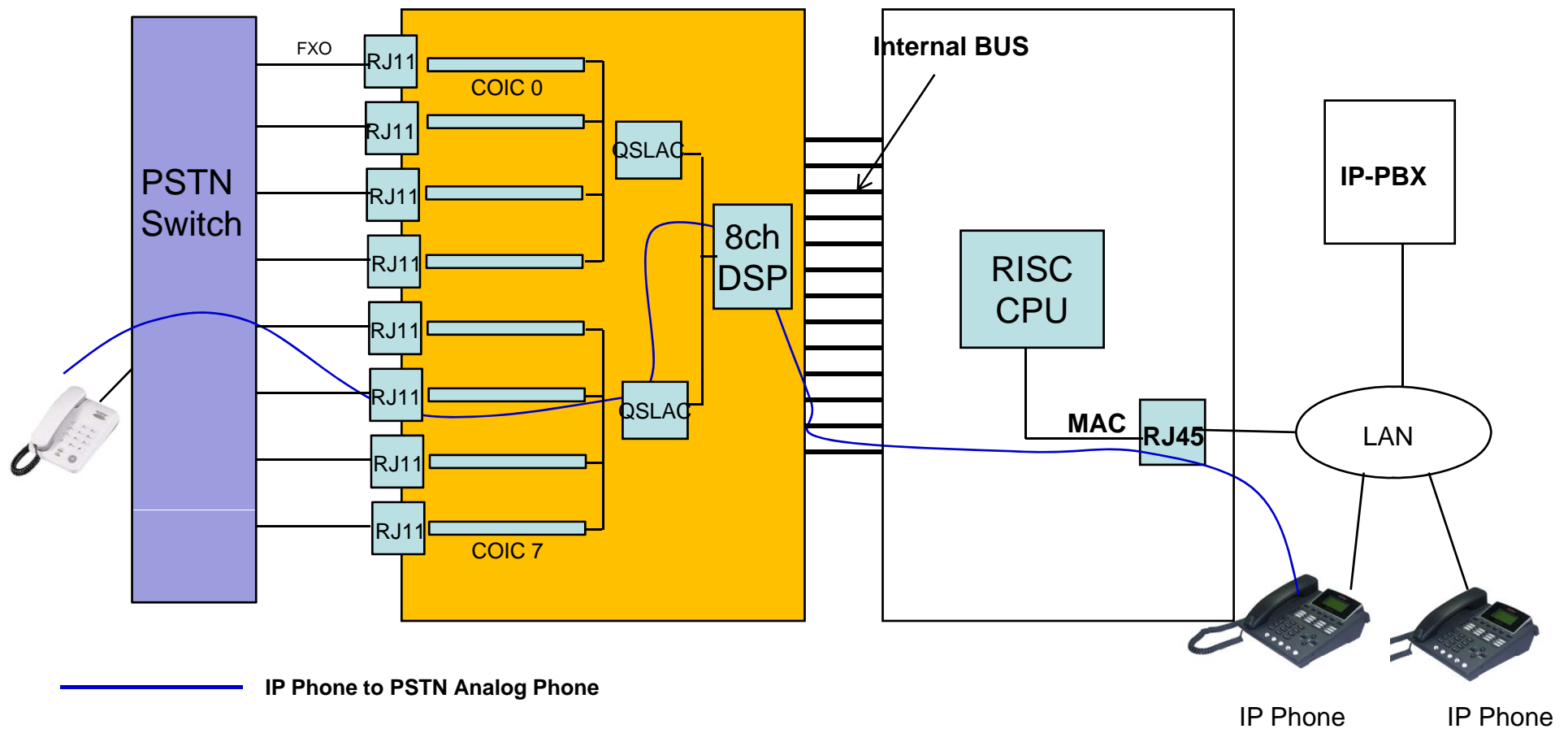
AP-N1-FXO8 H/W Block Diagram

RISC
CPU

High-end
DSP

VoIP Gateway Service Diagram

AP-N1-FXO8 8-Port FXO Module Internal H/W Block Diagram



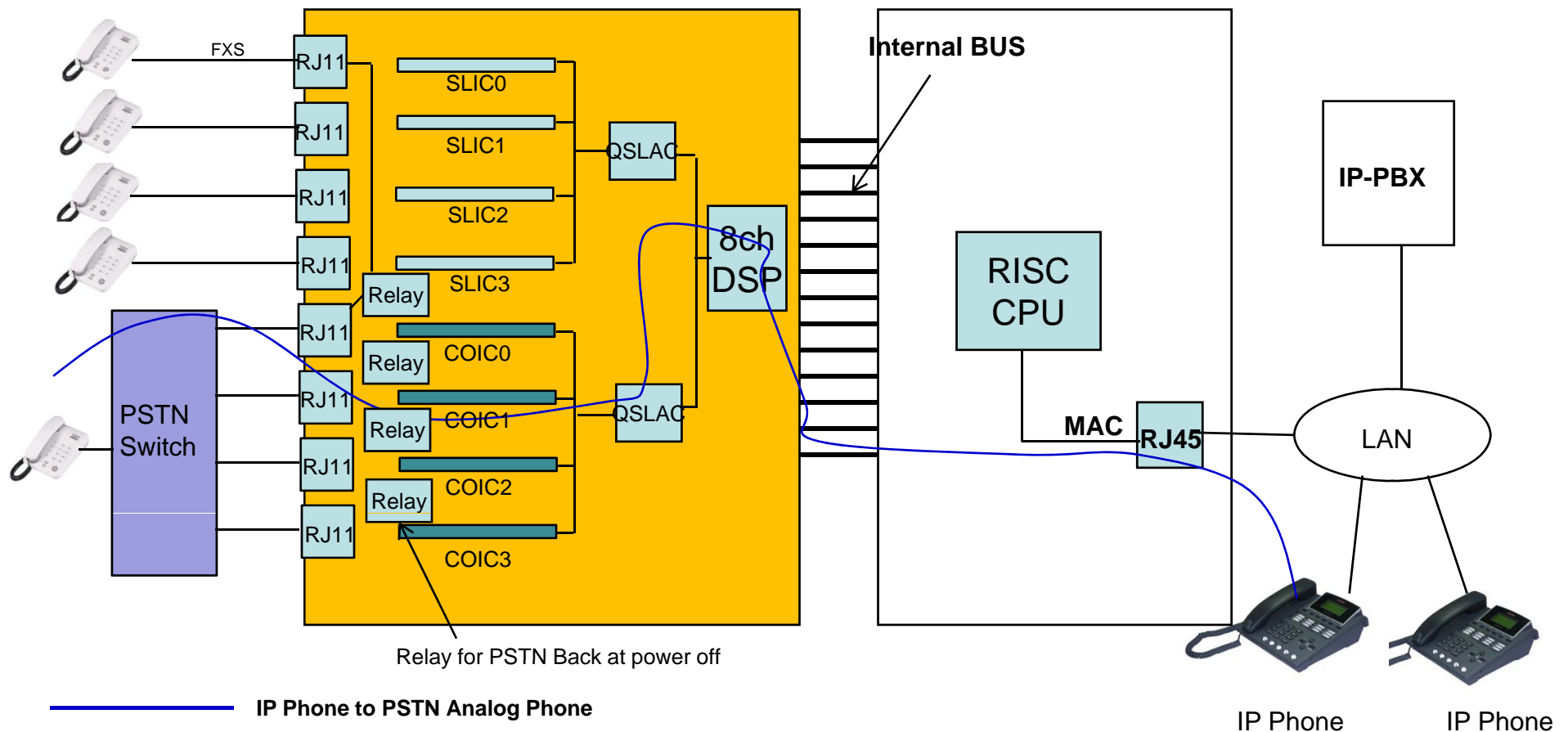
AP-N1-FXS4O4 H/W Block Diagram

RISC
CPU

High-end
DSP

VoIP Gateway Service Diagram

AP-N1-FXS4O4 4-Port FXS+ 4-Port FXO Module Internal H/W Block Diagram



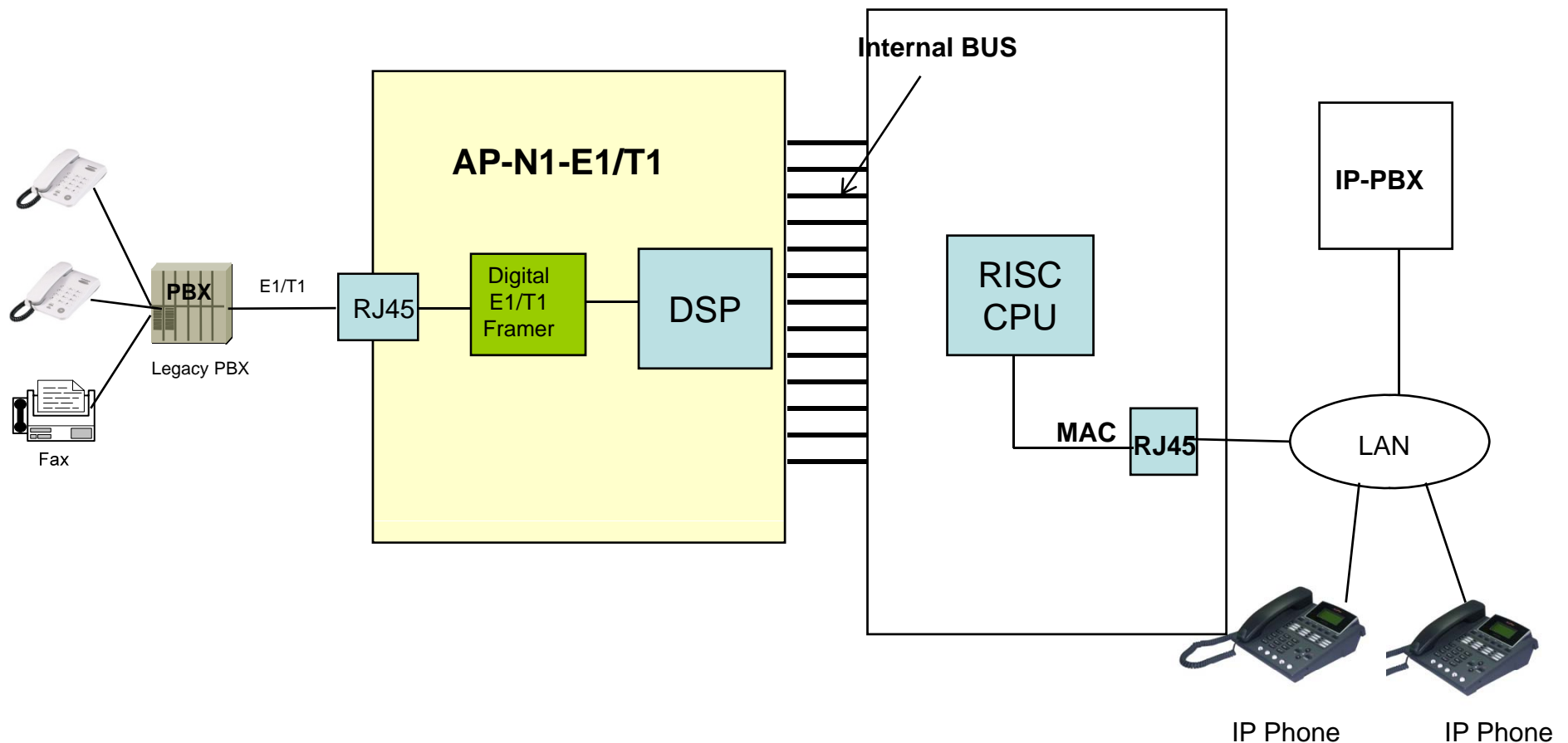
AP-N1-E1/T1 H/W Block Diagram

RISC
CPU

High-end
DSP

VoIP Gateway Service Diagram

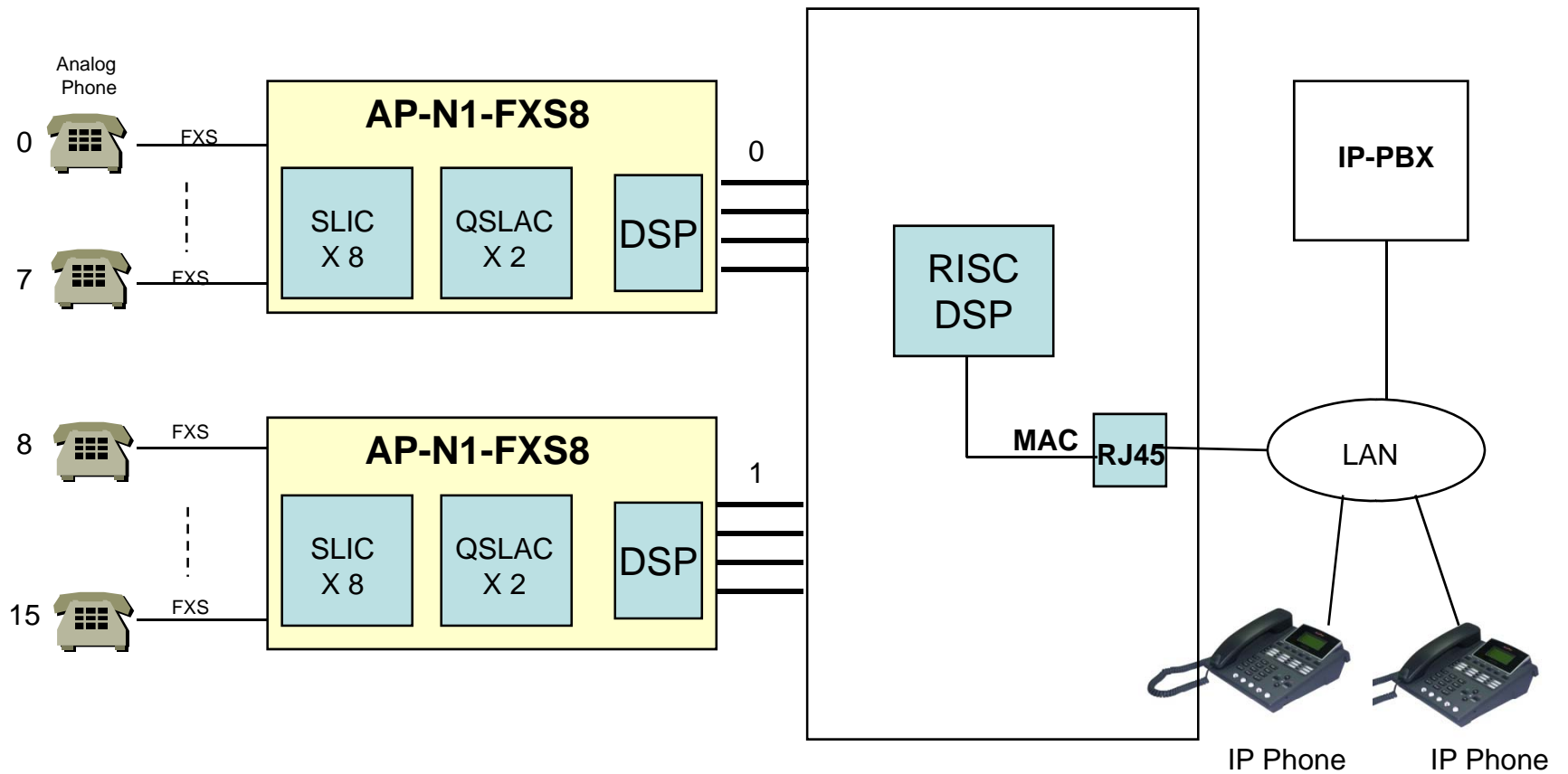
AP-N1-E1/T1 Digital E1/T1 Module Internal H/W Block Diagram



16-Port FXS Service H/W Configuration

VoIP Gateway Service Diagram

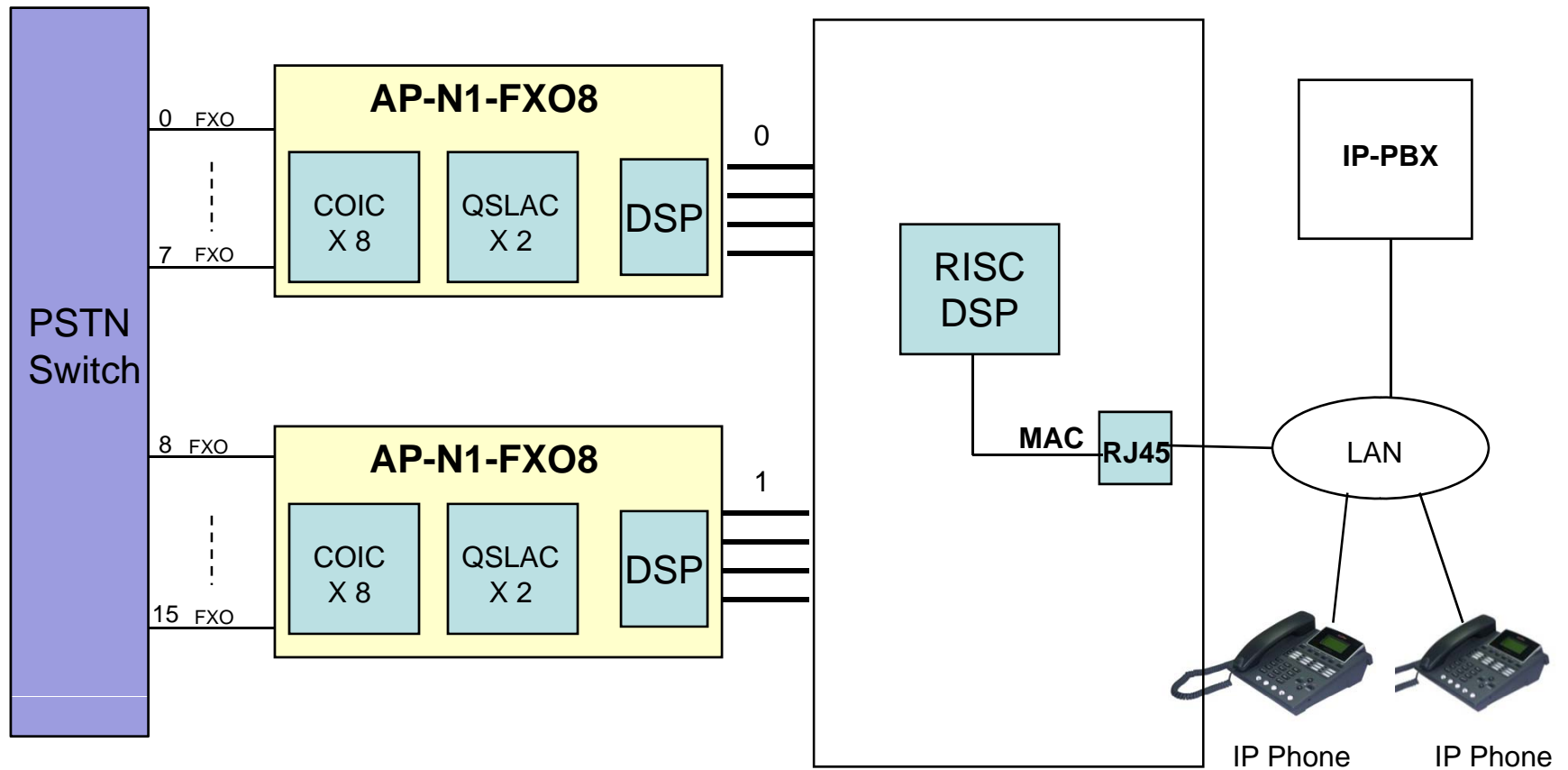
16-Port FXS VoIP Gateway Service Diagram



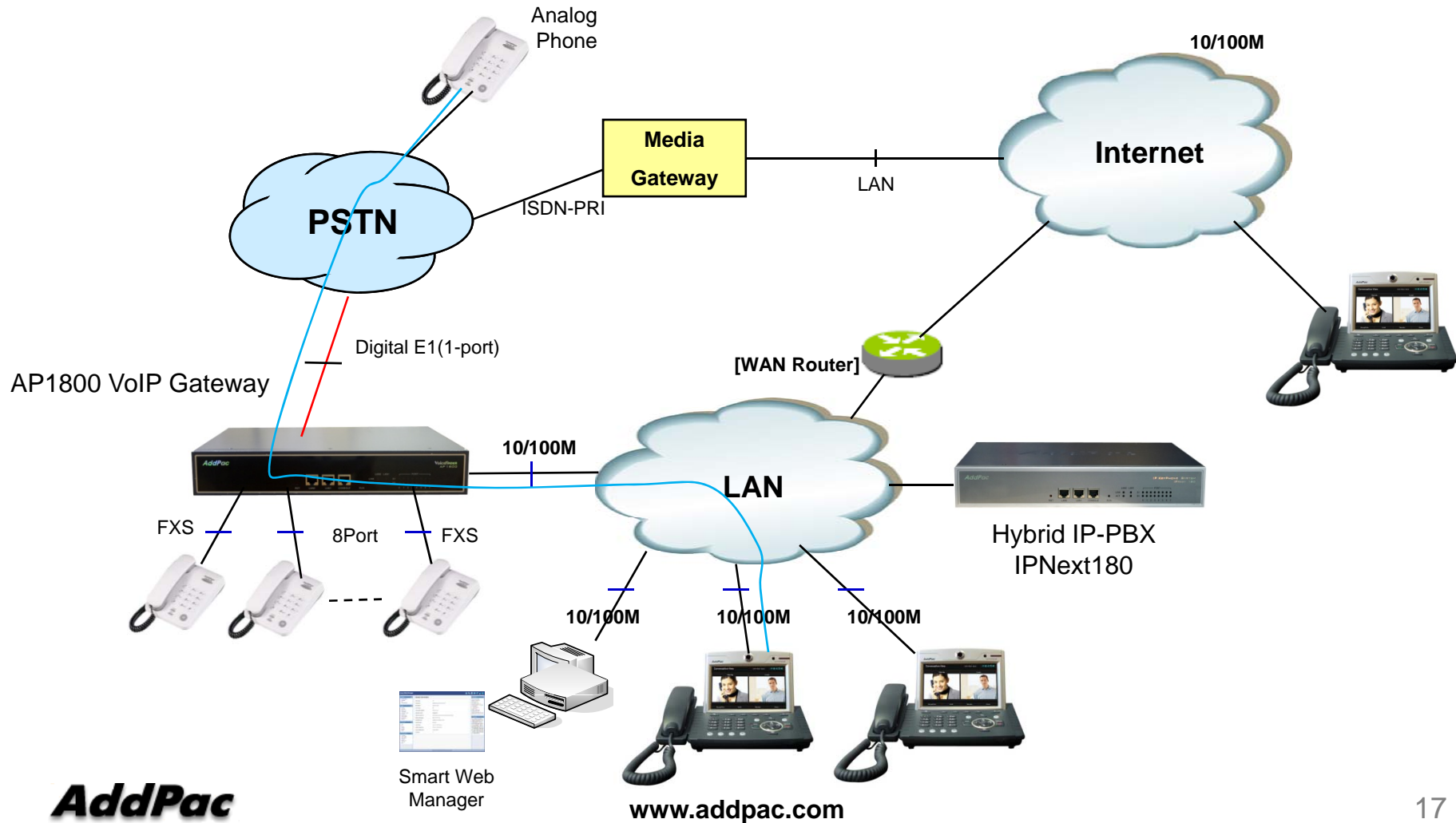
16-Port FXO Service H/W Configuration

VoIP Gateway Service Diagram

16-Port FXO VoIP Gateway Service Diagram



Network Service Diagram (FXS : 8-Port + 1-Port Digital E1/T1)



VoIP Gateway Series

Thank you!

AddPac Technology Co., Ltd.
Sales and Marketing

Phone +82.2.568.3848 (KOREA)

FAX +82.2.568.3847 (KOREA)

E-mail sales@addpac.com