



AP-IP100™

BcN IP Phone

High Performance Broadband Convergence Network
IP Phone Solution

Standalone 3-Party Call Conference



AddPac

AddPac Technology

2005, Sales and Marketing

www.addpac.com

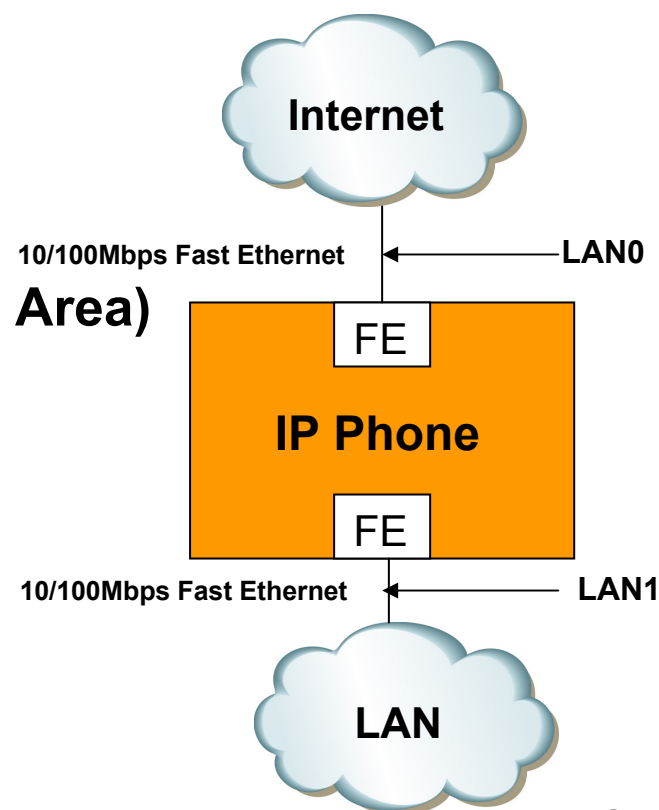
Contents

AP-IP100 IP Phone

- AP-IP100 HW Specification
- Multiparty Conference Model (IP-PBX)
- Multiparty Conference Model (External MCU)
- Standalone AP-IP100 3-Party Conference Model
- Network Diagram
- Signal Flow Diagram

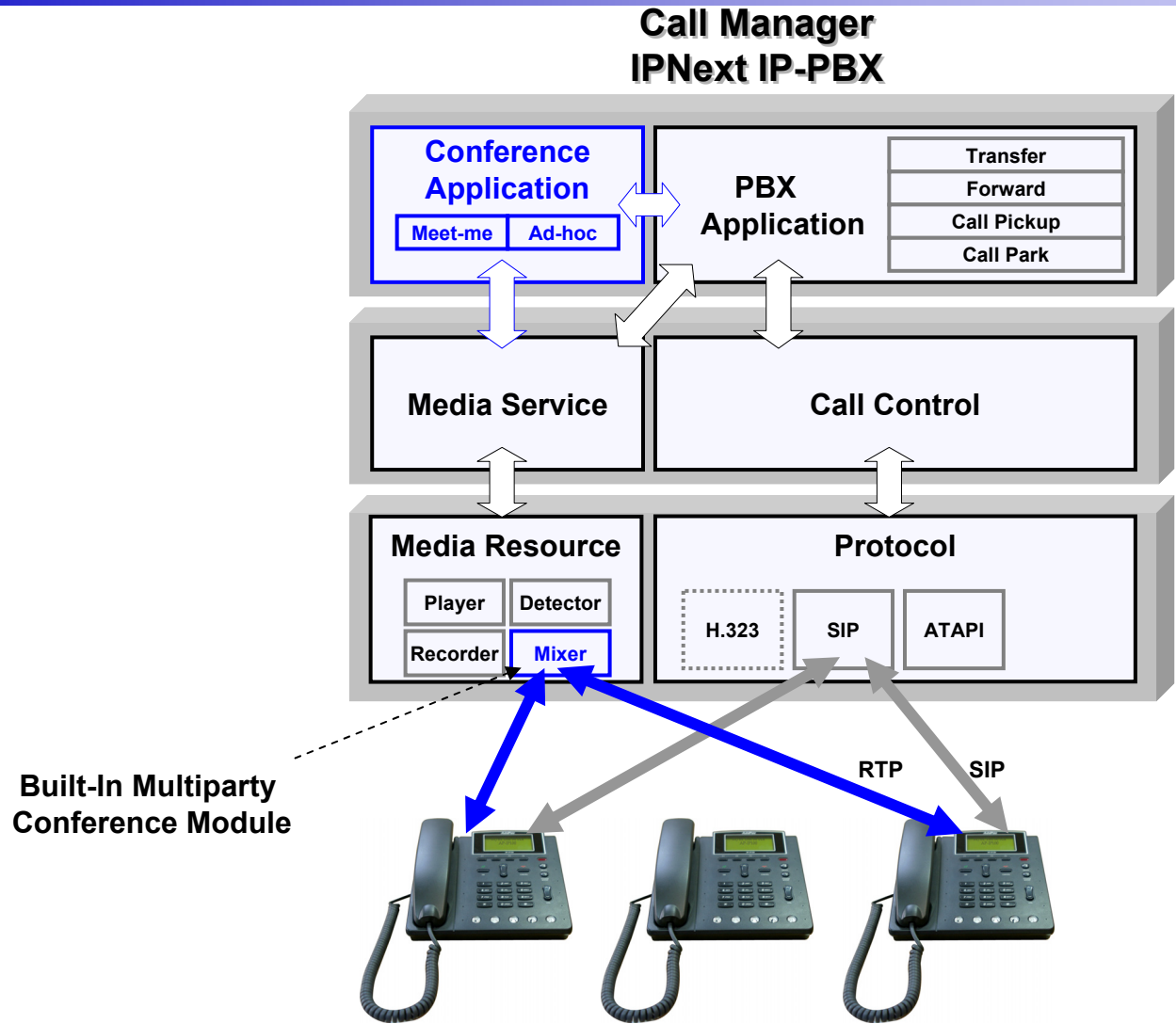
AP-IP100 H/W Specification

- **RISC+DSP Microprocessor Computing Power (Dual Processor Architecture)**
- **Optional FXO Interface for PSTN Backup : AP-IP100E**
- **High quality Audio and Voice Interface**
 - Stereo Audio Input Connector
 - Stereo Audio Output Connector
- **Network Interface**
 - Two(2) 10/100Mbps Fast Ethernet
- **LCD Window : 66.54mm x 33.26mm(Active Area)**
- **Graphic LCD**
- **Power Supply**
 - External Power Adaptor (5V, 2A)



Multiparty Conference Model

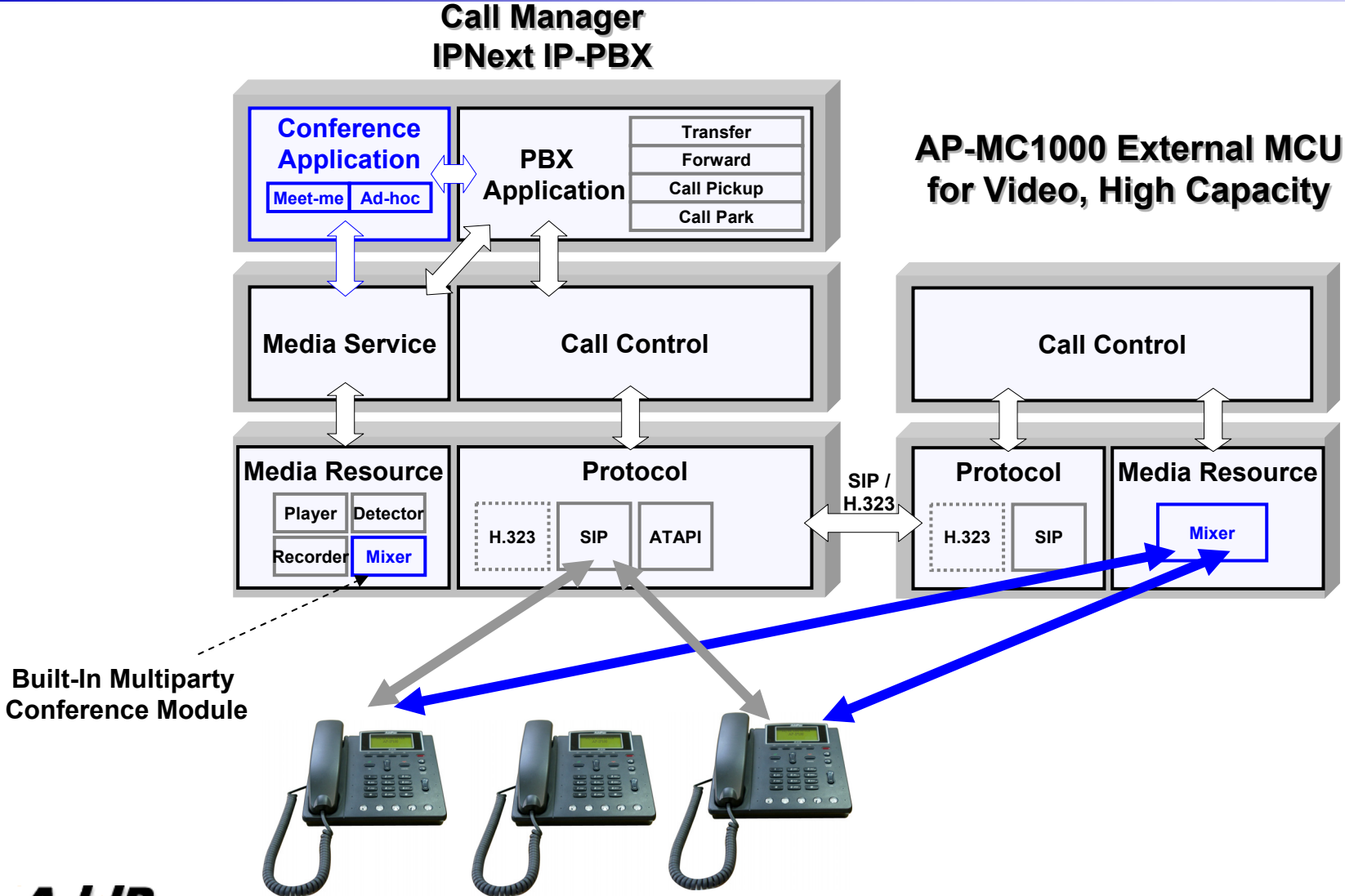
IPNext Series Built-In Multiparty Conference Module



Built-In Multiparty Conference Module

Multiparty Conference Model

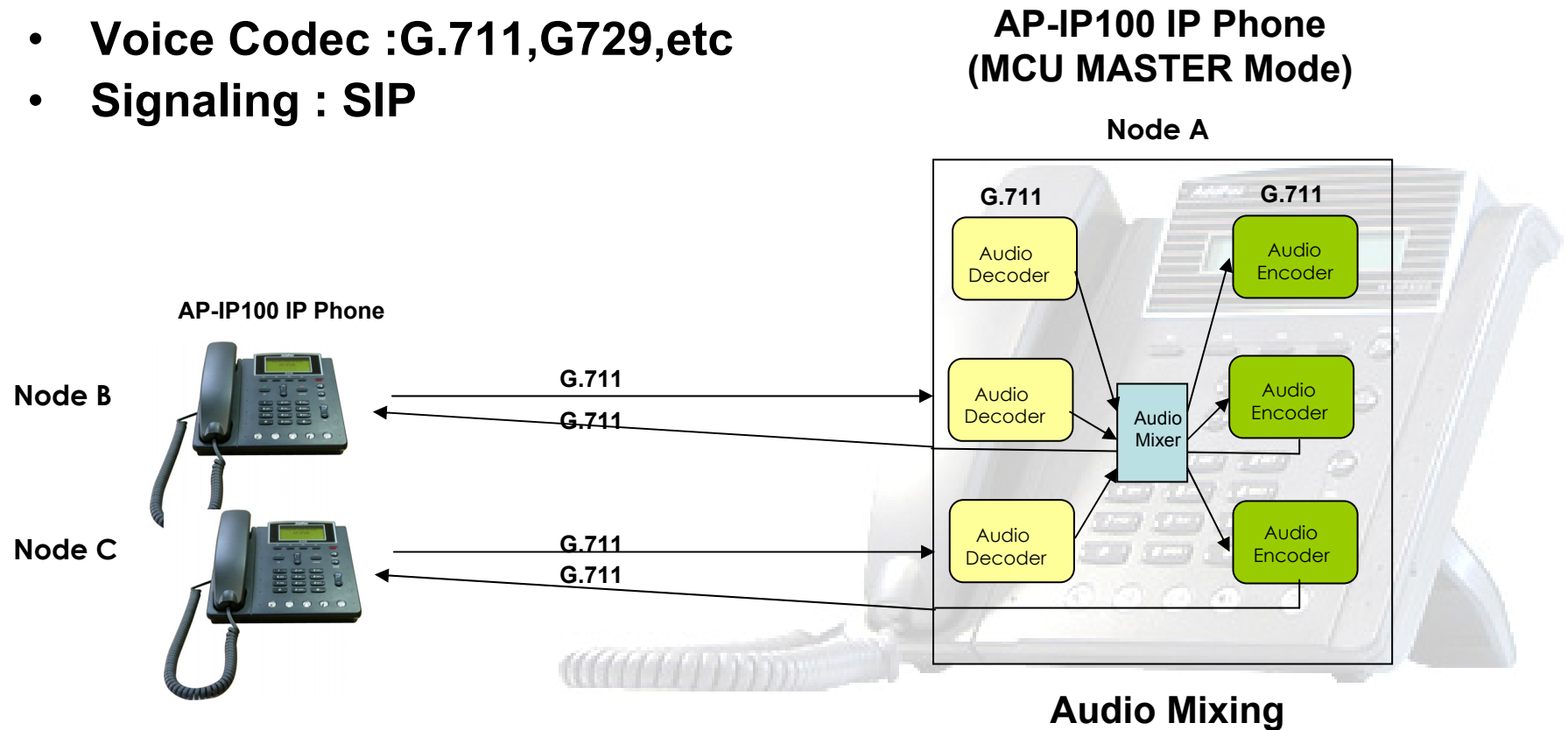
External MCU Model



Standalone 3-Party Conference Model

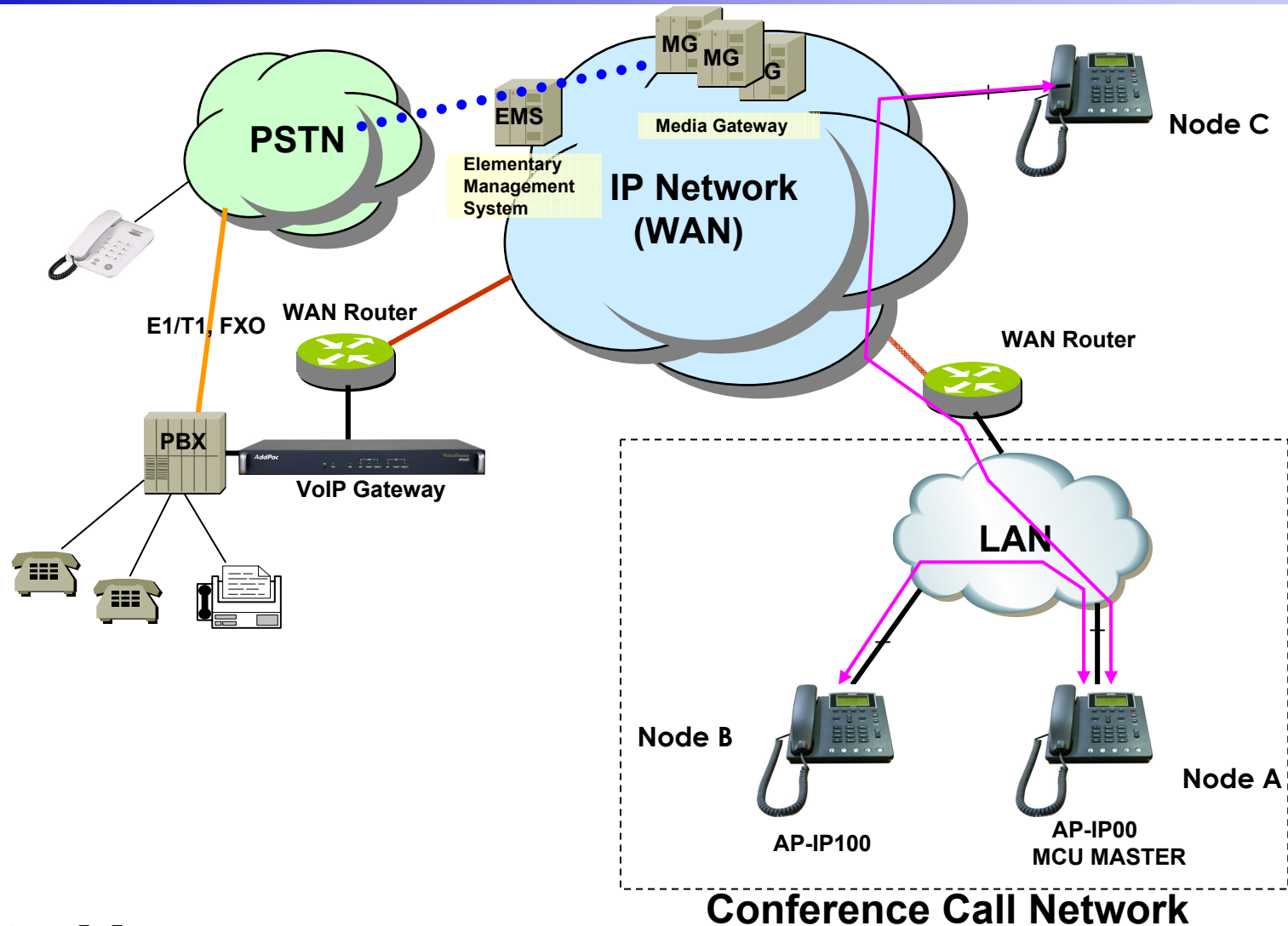
AP-IP100 Built-In 3-Party Conference

- **Voice Codec :G.711,G729,etc**
- **Signaling : SIP**



Network Service Diagram

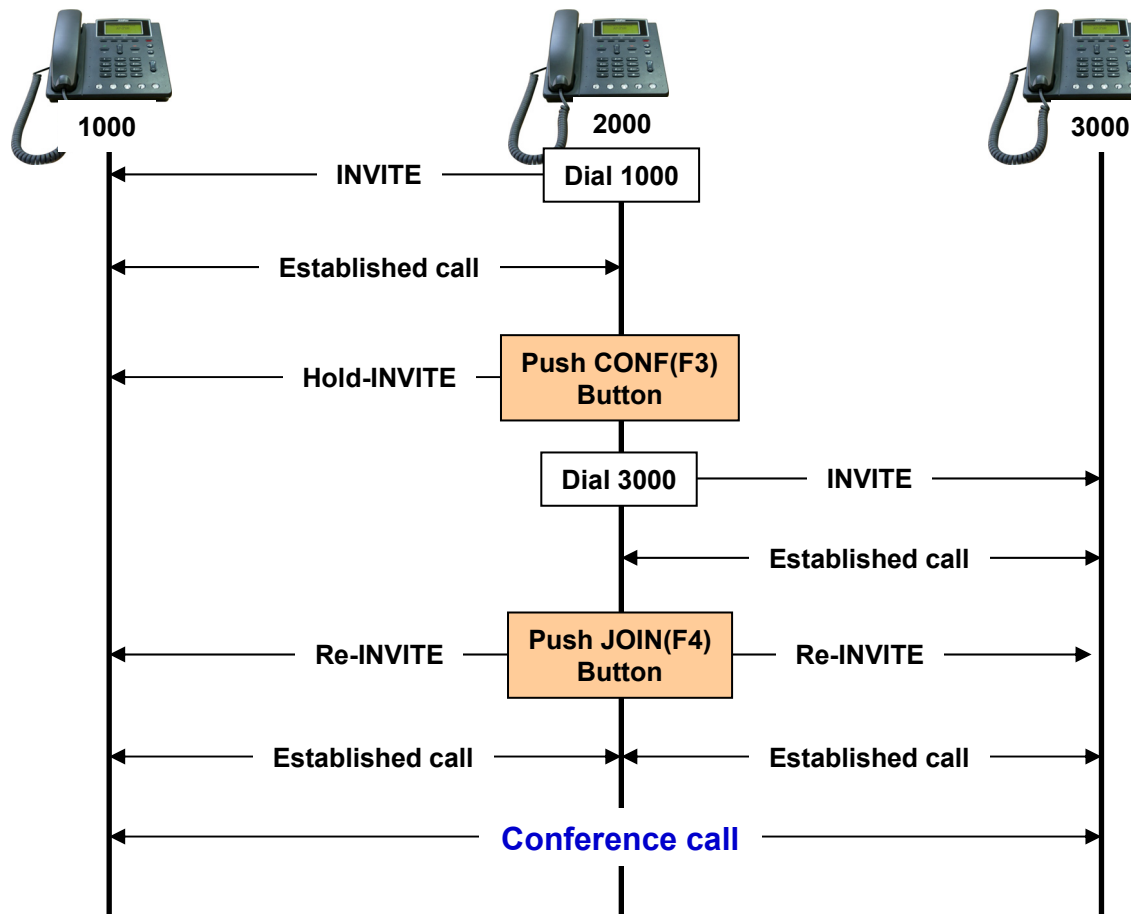
AP-IP100 IP Phone



Signal Flow Diagram

AP-IP100 IP Phone Specific

Conference Call Flow





Thank you!

AddPac Technology Co., Ltd.
Sales and Marketing

Phone +82.2.568.3848 (KOREA)

FAX +82.2.568.3847 (KOREA)

E-mail sales@addpac.com