



AP100™

1-Port VoIP Gateway

High Performance VoIP Gateway Solution

PPTP (Point-to-Point Tunneling Protocol) Features



AddPac

AddPac Technology

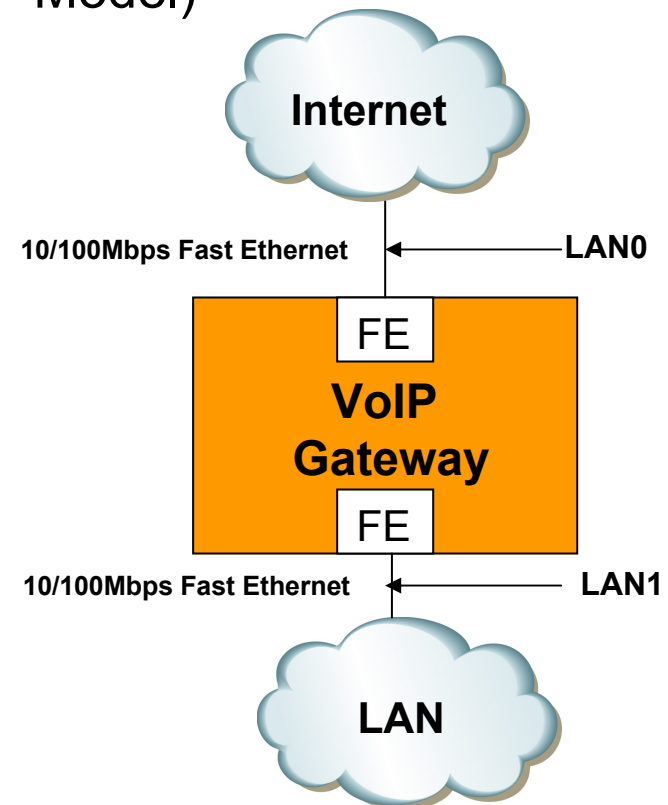
2006, Sales and Marketing

Contents

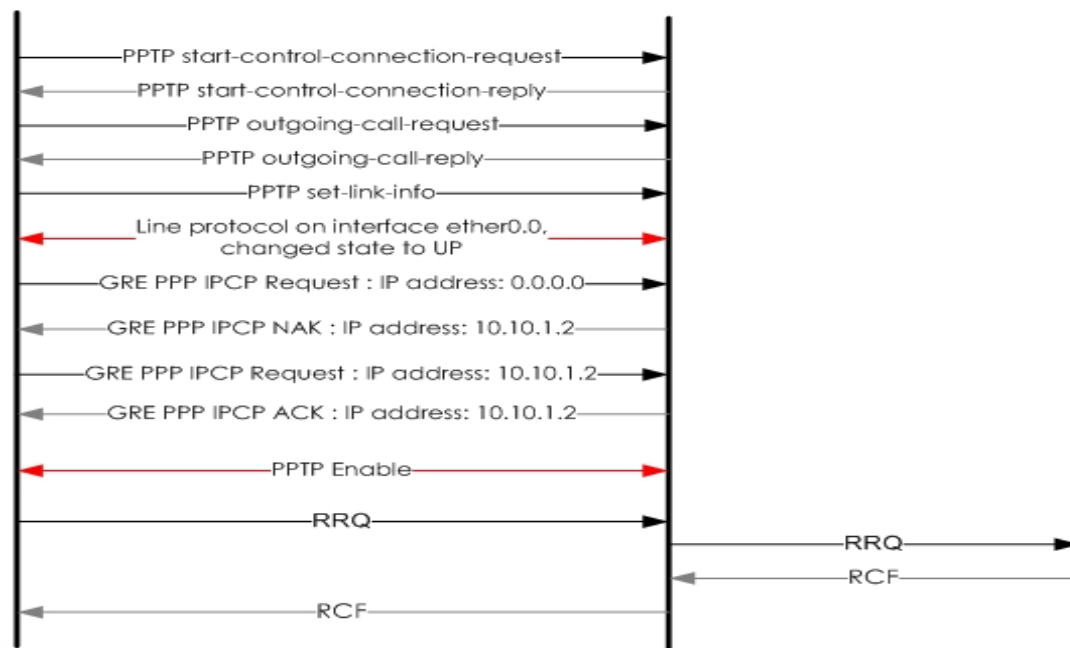
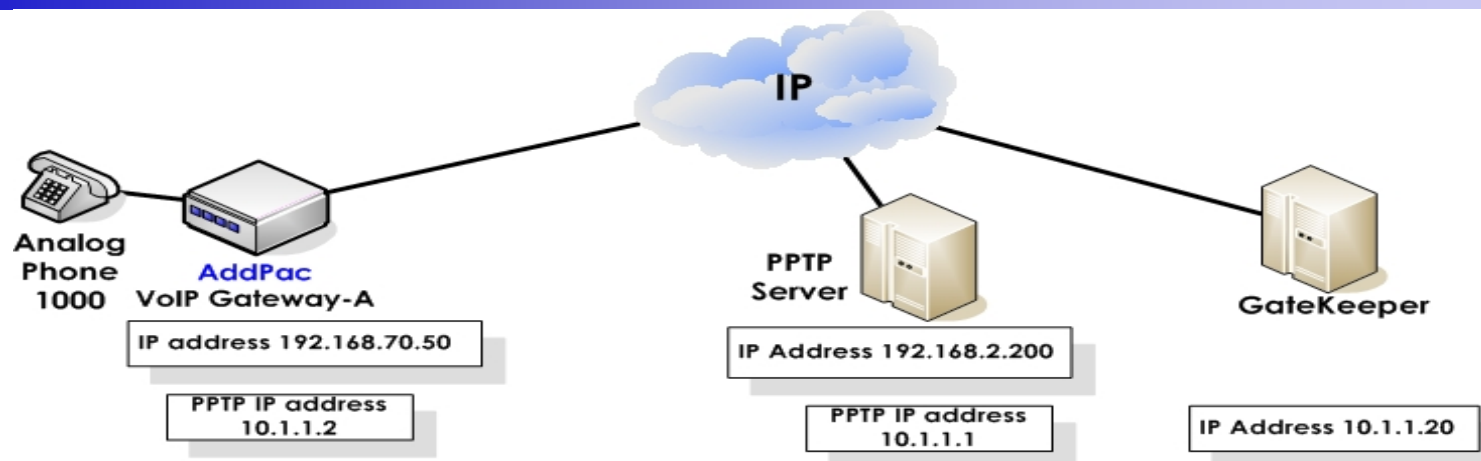
- AP100 H/W Specification
- PPTP Network Service Diagram
- APOS Commands for PPTP function
- Application Examples

AP100 VoIP Gateway H/W Spec.

- **RISC+DSP (Audio Codec) Microprocessor Computing Power (Dual Processor Architecture)**
- **VoIP Interface**
 - 1-Port FXS Interface
- Optional PSTN Backup Interface (AP100P Model)
- **Network Interface**
 - Two(2) 10/100Mbps Fast Ethernet
 - One(1) RS-232C Console(RJ45)
- **Power Supply**
 - External Power Adaptor (5V, 2A)
 - Power ON/OFF Switch



Network Service Diagram



APOS Commands for PPTP

PPTP Function Enable

STEP	Command	Explanation
1	# config	Enter the APOS command Setting Mode
2	(config)# interface eth 0.0	Enter the interface setting mode
3	(config-ether0.0)# no ip address	IP address disable
4	(config-ether0.0)# encapsulation ppp-pptp	PPTP setting as Network Protocol (notice : interface pptp0 is created when encapsulation ppp-pptp is enable)
5	(config-ether0.0)# pptp ip remote 192.168.2.200	PPTP Server IP address setting
5	(config-ether0.0)# pptp route data	This command is used when a user want to send Data to PPTP interface (optional)
7	(config-ether0.0)# ppp authentication chap callin	Chap protocol setting as PPP authentication
8	(config-ether0.0)# ppp chap hostname addpac	Chap USER ID = "addpac"
9	(config-ether0.0)# ppp chap password 1234	Chap PASSWORD = "1234"
10	(config-ether0.0)# no ppp ipcp ms-dns	Disable the configuration setting that DNS IP address can be received from PPP server

APOS Commands for PPTP

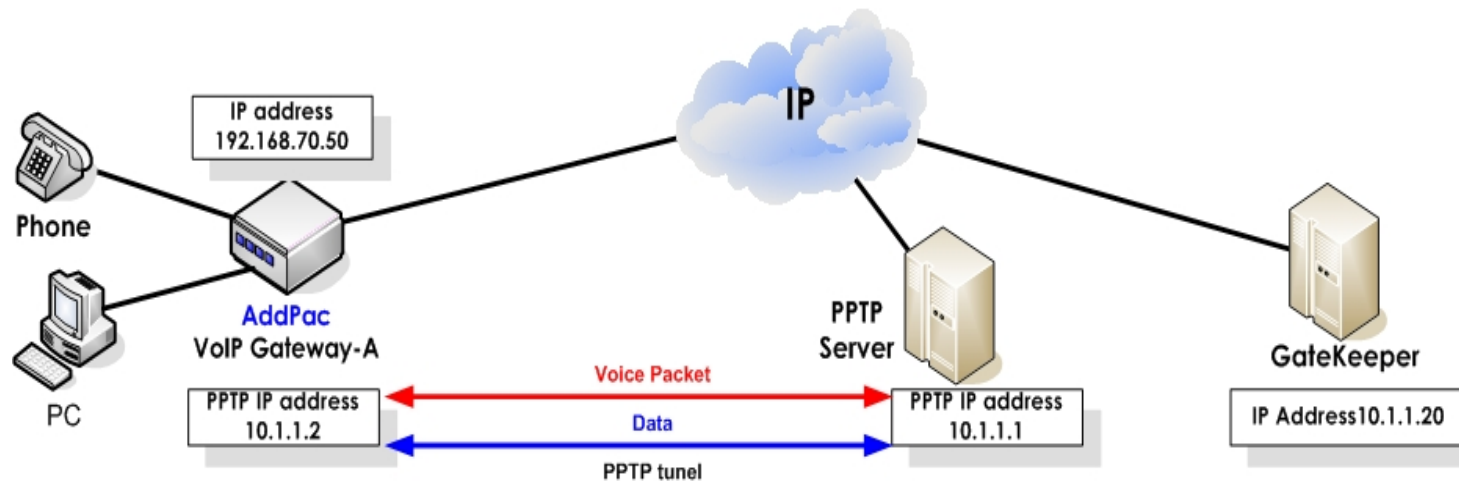
11	(config-ether0.0)# no ppp ipcp default-route	Disable the configuration setting that Default router's IP address can be received from PPP Server. (important)
12	(config-ether0.0)#exit	Exit from the interface setting mode
13	(config)# interface pptp0	Enter the interface pptp0 setting mode
14	(config-pptp0)# ip address 192.168.70.50 255.255.255.0	IP address setting (Please refer to Quick Operation Guide for DHCP, PPPoE configuration.)
15	(config-ether0.0)#exit	Exit from interface 0.0 setting mode
16	(config)#route 0.0.0.0 0.0.0.0 192.168.70.1	Default router setting
17	(config)#route 20.1.1.0 255.255.255.0 10.1.1.1	If a user want to send the traffic of 20.1.1.0 network to other network via 10.1.1.1 network, this static routing command is used. (optional)
18	(config)# ip-policy ip host voip-interface any route-if ether0.0	This configuration is used when a user want to send DATA traffic to Public network and VoIP traffic to Private Network (optional)
19	(config)#exit	Exit from setting mode

PPTP Function Disable

STEP	Command	Explanation
1	(config-ether0.0)#no encapsulation ppp-pptp	PPTP Configuration Disable

Application Example 1. (cont.)

Send all traffic(VoIP + Data) to PPTP Interface



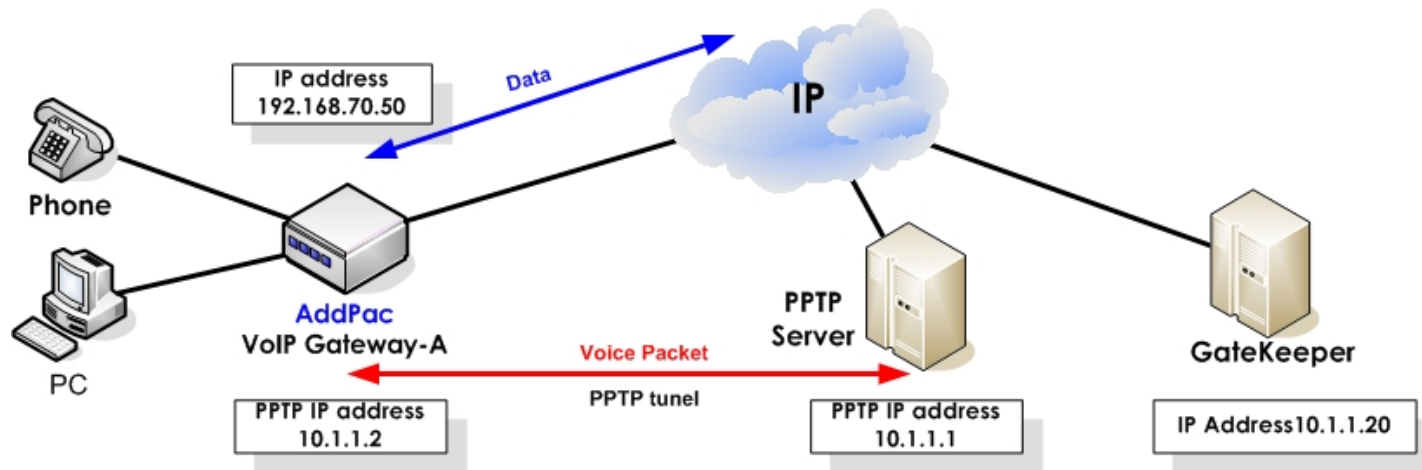
```
version 8.22p1
!  
hostname AP100  
!  
dhcp-list 0 type server  
dhcp-list 0 address server interface ether0.0  
dhcp-list 0 option dhcp-lease-time 600  
dhcp-list 0 option dns 168.126.63.1  
dhcp-list 0 option router-option 216.55.248.129
```

Application Example 1.

```
!  
dhcp-list 1 type server  
dhcp-list 1 address server 10.1.1.2 10.1.1.126 255.255.255.128  
!  
ip-share enable  
ip-share interface net-side ether0.0  
ip-share interface local-side ether1.0  
!  
interface ether0.0  
no ip address  
encapsulation ppp-pptp  
pptp ip remote 192.168.2.200  
ppp authentication chap callin  
ppp chap hostname Addpac  
ppp chap password 1234  
no ppp ipcp ms-dns  
no ppp ipcp default-route  
!  
interface ether1.0  
no ip address  
ip dhcp-group 0  
!  
interface pptp0  
ip address 192.168.70.50 255.255.255.0
```


Application Example 2. (cont.)

Send VoIP traffic only to PPTP Interface (IP Share Environment)



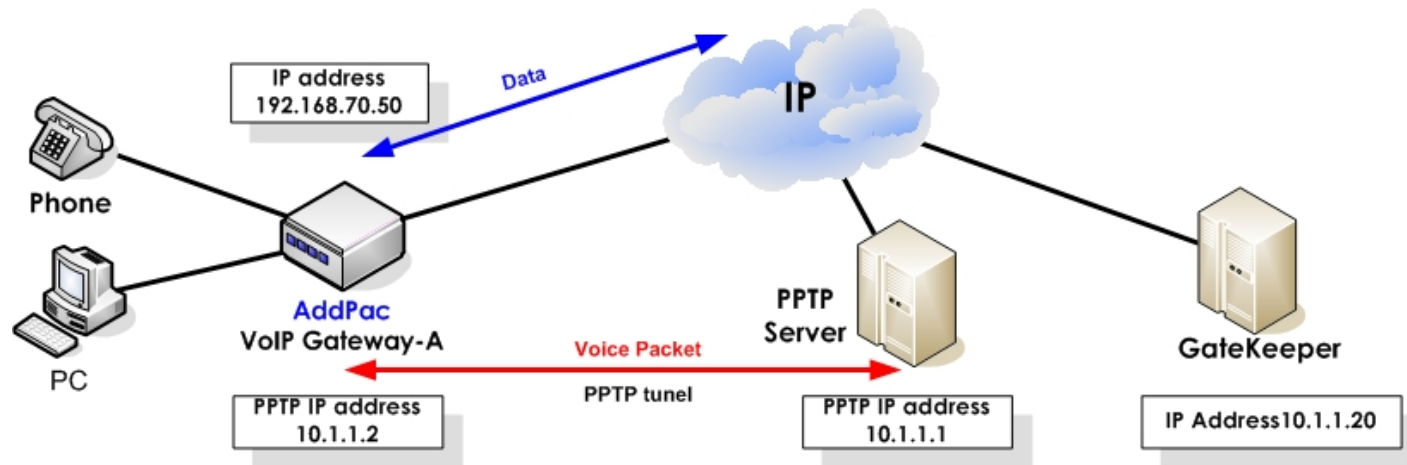
```
version 8.22p1
!  
hostname AP100  
!  
dhcp-list 0 type server  
dhcp-list 0 address server interface ptp0  
dhcp-list 0 option dhcp-lease-time 600  
dhcp-list 0 option dns 168.126.63.1  
dhcp-list 0 option router-option 216.55.248.129
```

Application Example 2.

```
!  
dhcp-list 1 type server  
dhcp-list 1 address server 10.1.1.2 10.1.1.126 255.255.255.128  
!  
ip-share enable  
ip-share interface net-side ptp0  
ip-share interface local-side ether1.0  
!  
interface ether0.0  
no ip address  
encapsulation ppp-pptp  
pptp ip remote 192.168.2.200  
pptp route data  
ppp authentication chap callin  
ppp chap hostname Addpac  
ppp chap password 1234  
no ppp ipcp ms-dns  
no ppp ipcp default-route  
!  
interface ether1.0  
no ip address  
ip dhcp-group 0  
!  
interface ptp0  
ip address 192.168.70.50 255.255.255.0  
!  
ip-policy ip host voip-interface any route-if ether0.0
```

Application Example 3. (cont.)

Send VoIP traffic only to PPTP Interface (PAT Environment)



```
version 8.234
!  
hostname AP100  
!  
dhcp-list 0 type server  
dhcp-list 0 address server 10.1.1.2 10.1.1.254 255.255.255.0  
dhcp-list 0 option dns 168.126.63.1  
dhcp-list 0 option router-option 10.1.1.1  
!  
nat-list 1 pat static-entry tcp 1720 local
```

Application Example 3.(cont.)

```
nat-list 1 pat static-entry udp 5060 local
nat-list 1 pat static-entry tcp 1723 local
nat-list 1 pat group-static-entry udp 22000 22001 local
nat-list 1 pat group-static-entry udp 23000 24999 local
nat-list 1 pat group-static-entry tcp 10000 10999 local
nat-list 1 pat group-static-entry tcp 14000 14999 local
nat-list 1 pat group-static-entry tcp 18000 18999 local
nat-list 1 pat static-entry tcp 23 local
nat-list 1 pat group-static-entry tcp 20 21 local
nat-list 1 pat group-static-entry udp 67 68 local
nat-list 1 pat static-entry icmp ping local
!
no ip-share enable
ip-share interface net-side ether0.0
ip-share interface local-side ether1.0
!
interface ether0.0
no ip address
encapsulation ppp-pptp
pptp ip remote 192.168.2.200
pptp route data
ppp authentication chap callin
ppp chap hostname addpac
```

Application Example 3.

```
ppp chap password addpac
no ppp ipcp ms-dns
no ppp ipcp default-route ← This command is used when a used doesn't
want to get the default routing information from PPTP server
!
interface ether1.0
ip address 10.1.1.1 255.255.255.0
ip nat-group 1 pat pptp0 ← pptp0 interface ip (public IP) translate ,
ip dhcp-group 0
!
interface pptp0
no ip address
encapsulation pppoe
ppp authentication pap callin
```

VoIP Gateway Series

Thank you!

AddPac Technology Co., Ltd.
Sales and Marketing

Phone +82.2.568.3848 (KOREA)

FAX +82.2.568.3847 (KOREA)

E-mail sales@addpac.com