



IPNext 200™ NGN IP-PBX

High-performance Next Generation IP-PBX Solution



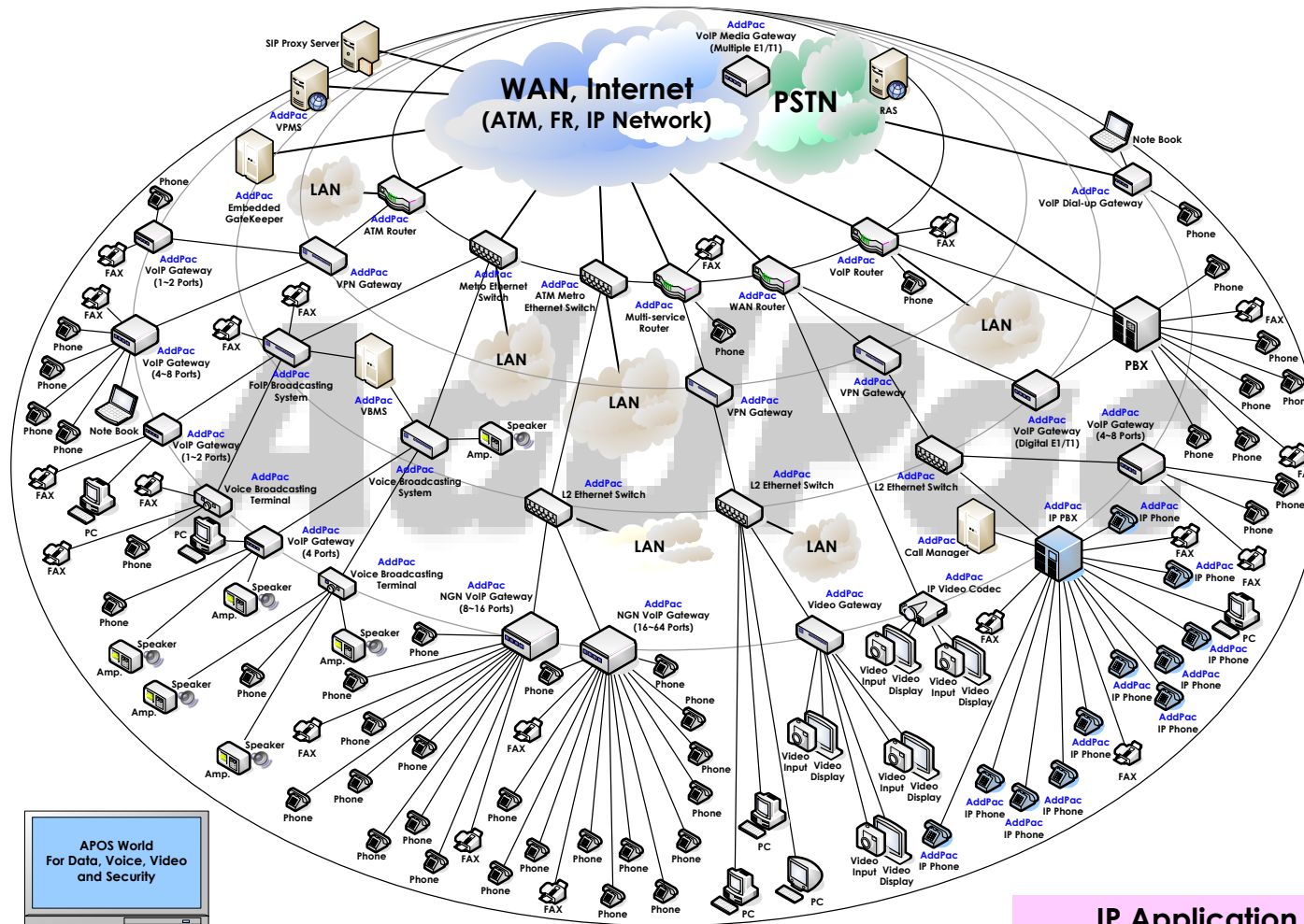
AddPac

AddPac Technology

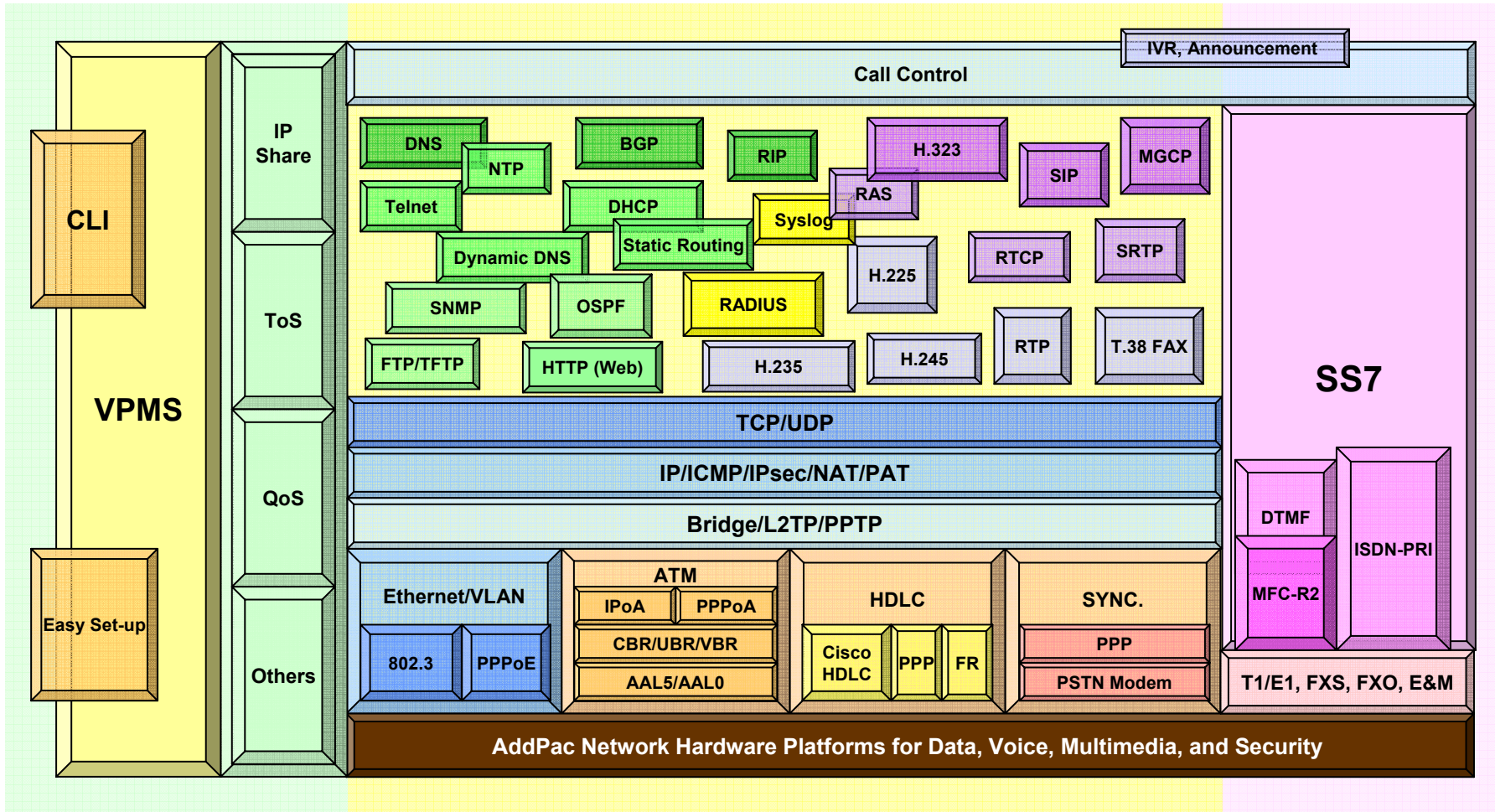
2005, Sales and Marketing

www.addpac.com

V²oIP Internetworking Solution



APOS Internetworking Protocol



IPNext 200 NGN IP-PBX

- Product Overview
- Product Road Map
- Hardware Specification
- Multimedia Service
- Software Service
- Audio & Voice Service and Features
- Network Service and Features
- User Terminals
- Application Area
- Ordering Information

Product Overview

IPNext 200 Next Generation IP-PBX

- IP based Advanced PBX Solution
- Powerful Management and User Friendly Features
- Fault Tolerant and Scalability Architecture
- High-performance Video, Audio, and Voice Service
- Firmware Upgradeable Architecture
- Voice/Audio Privacy Protection
 - Secure RTP, VPN Function
- **RAID 1** Hard Disk Backup



Product Overview

IPNext 200 Next Generation IP-PBX

Number of Users



AddPac



IPNext 200

One(1) Network Module, Two(2) 4-Port VoIP Modules
3.5 Inch Raid 1 IDE HDD Module , 2-Port Fast Ethernet
1-Port Console, Voice QoS Features
APOS & Smart Manager Support



IPNext 500

Two(2) 4-Port VoIP Modules
2.5 Inch RAID1 IDE HDD , 2-Port Fast Ethernet
1-Port Console, Voice QoS Features
APOS & Smart Manager Support



IPNext 1000

(4) 8-Port VoIP Modules
One(1) IDE HDD Module , 2-Port Giga Ethernet
1-Port Console, Voice QoS Features
APOS & Smart Manager Support

IPNext 5000



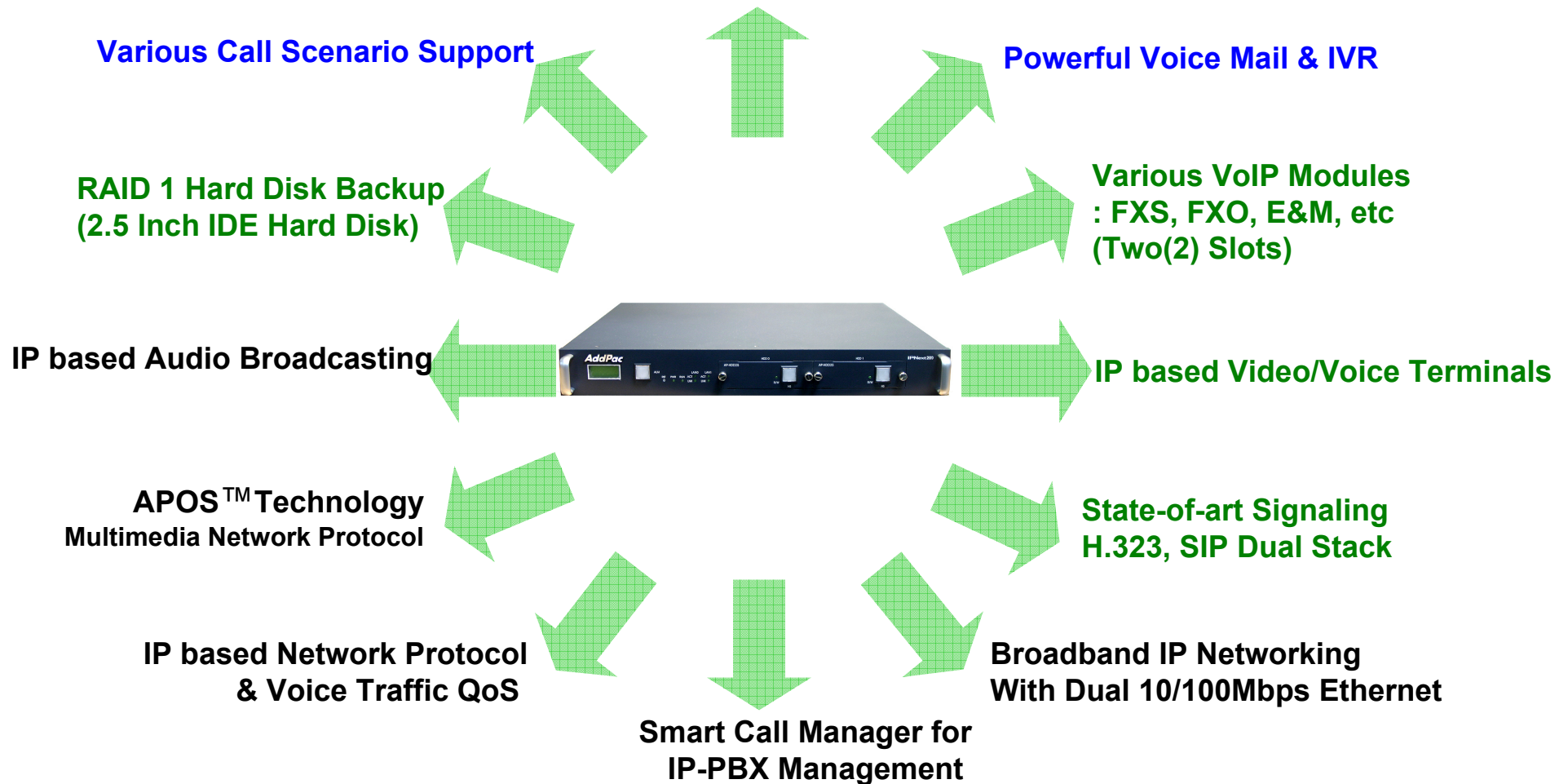
Performance

www.addpac.com

Product Highlights

IPNext 200 Next Generation IP-PBX

IP based Advanced IP-PBX



AddPac

www.addpac.com

Hardware Specification

IPNext 200 Next Generation IP-PBX

64bit
CPU

- **RISC Microprocessor Computing Power**
- **Main Chassis**
 - **Fixed Network Interface**
 - Two(2) 10/100Mbps Fast Ethernet
 - One(1) RS-232C Console (RJ45)
 - **Two(2) Hard Disk Interface Slot for RAID1 Configuration**
 - **Two(2) VoIP Module Slots for FXS, FXO,E&M, Audio broadcasting, etc**







Hardware Specification

IPNext 200 Next Generation IP-PBX

64bit
CPU

Audio
Codec

- **VoIP Interface Module**

AP-FXS4		4-Port FXS Voice Processing Module (4 x RJ11)
AP-FXO4		4-Port FXO Voice Processing Module (4 x RJ11)
AP-E&M4		4-Port E&M Voice Processing Module (4 x RJ11)
AP-FXO2S2		2-Port FXO & 2-Port FXS Voice Processing Module (4 x RJ11)







Hardware Specification

IPNext 200 Next Generation IP-PBX

DSP

Audio
Codec

- IP Broadcasting Module**

AP-AUDIO2		Audio Processing Module(4 x 3.5mm Female)
AP-AUD1S3		AP-AUD1S3 Audio/ Voice Processing Module(2 x 3.5mm Female/ 3 x RJ11)
AP-AUD1O3		AP-AUD1O3 Audio/Voice Processing Module(2 x 3.5mm Female/ 3 x RJ11)
AP-AUD1S2O1		AP-AUD1S2O1 Audio/Voice Processing Module(2 x 3.5mm Female/ 3 x RJ11)
AP-MP3		AP-MP3 Audio Processing Module(4 x 3.5mm Female)
AP-HQA		High Quality IP Audio Broadcasting Interface Module (2 x 3.5mm Female/ PSB)

Hardware Specification

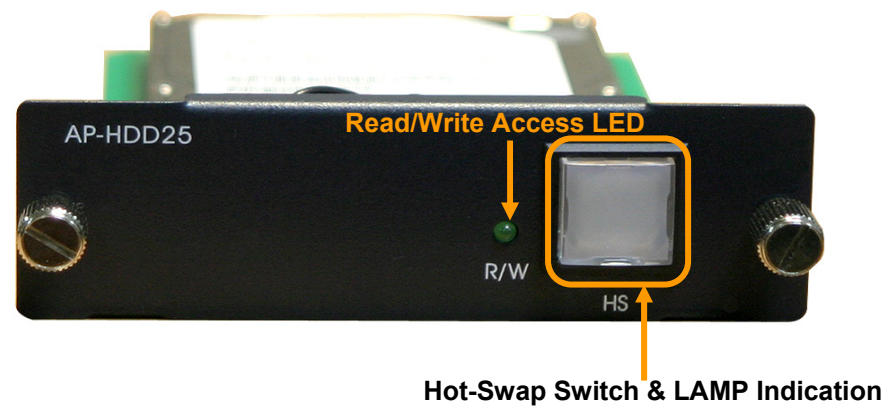
IPNext 200 Next Generation IP-PBX

64bit
CPU

DSP

- **Hard Disk Module (RAID 1)**

IPNext 200 Front Side



Hardware Specification

IPNext 200 Next Generation IP-PBX

64bit
CPU

DSP

- **VoIP Module**

IPNext 200 Rear Side



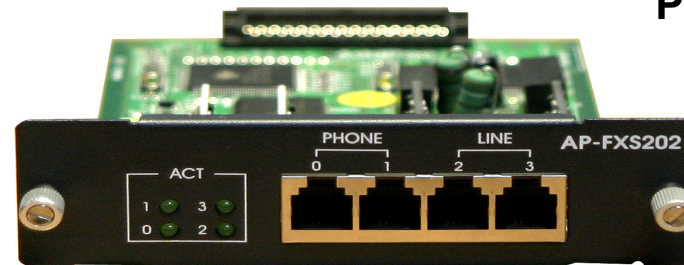
Console Port

LAN0(10/100Mbps)

LAN1 (10/100Mbps)

Power Inlet

Power Switch



Software Service

IPNext 200 Next Generation IP-PBX

- **Built-in AddPac APOS Internetworking Software**

- Scalability, Functionality, and Stability Features
- Advanced IP-PBX Call Manager Features
- Media Gateway Features
- QoS Control Features

- **Programmable Video, Audio, and Voice Services**

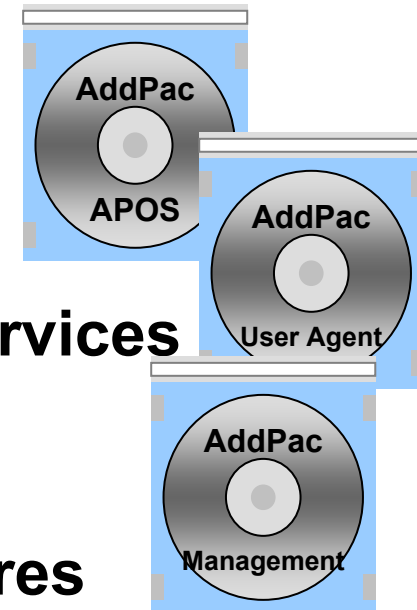
- Audio, and Voice Codec

- **Firmware Upgradeable Architecture**

- **Industry Standard Network Protocol Features**

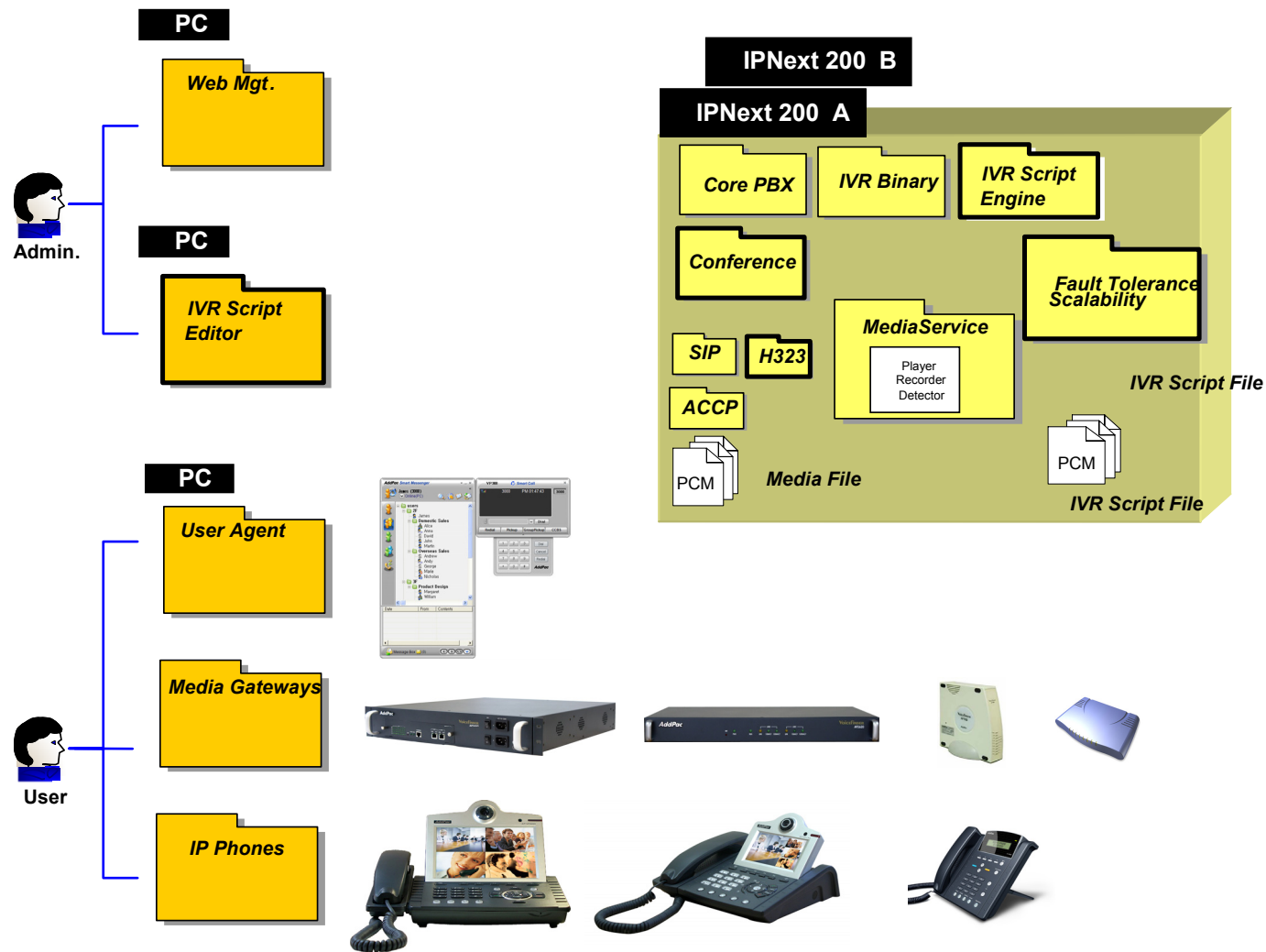
- **Highly User Friendly Management Features**

- PC based Smart Messenger
- Smart Call Manager



IP-PBX Software Components

IPNext 200 Next Generation IP-PBX



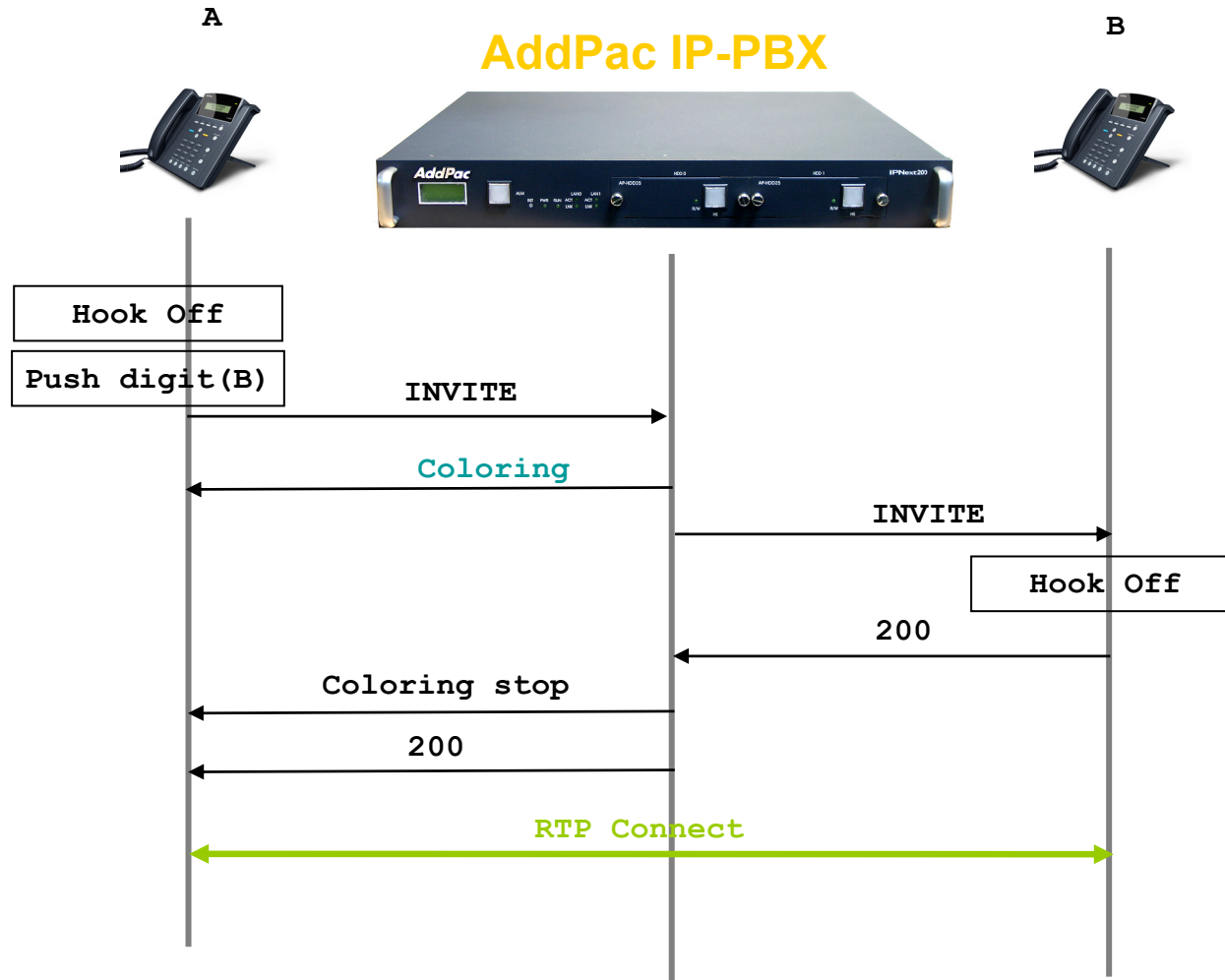
Telephony Service and Features

IPNext 200 Next Generation IP-PBX

- **Basic Call**
- **Coloring Service**
- **Music On Hold**
- **Blind Transfer**
- **Call Pickup**
- **Group Call Pickup**
- **Consult Call**
- **Switching Call**
- **Consult Transfer**
- **Call Waiting**
- **Call Park**
- **Call Pickup Remote**
- **Hunt Group**

SIP based Basic Call Scenario

IPNext 200 Next Generation IP-PBX



Audio & Voice Service and Features

IPNext 200 Next Generation IP-PBX

- **Audio & Voice Networking Interface**
 - Audio Input/Output Port (2 x 3.5mm Stereo Female Connector)
- **VoIP based Signaling Protocol Support**
 - H.323, SIP Multiple Signaling Protocol Stack
 - H.323 Gateway, Gatekeeper Support
- **High-performance Audio & Voice Codec Support**
 - Line IN/OUT : G.726, G.711 Audio Codec, etc
- **Enhanced QoS Management Features for Voice Traffics**

Network Service and Features

IPNext 200 Next Generation IP-PBX

Basic Network Protocols

- ARP, IP, IPv6, TCP, UDP, ICMP, ICMPv6, SCTP, IGMP, MLD

Routing Protocol

- IPv4 : Static
- IPv6 : Static

Service Protocol

- FTP, Telnet, TFTP, DHCP Server/Relay, SNMP Server
- CDP (Cisco Discovery Protocol)
- DNS Resolver , DDNS(nsupdate)
- Bridge
- Syslog
- IP/IPv6 policy control (QoS)
- VPDN (Virtual Private Dial-up Network : L2TP Server)

Network Service and Features

IPNext 200 Next Generation IP-PBX

IPv4/IPv6 Interworking

- NAT/PAT for IPv4
- IP connect (formerly ip-share) and device cascade for IPv4
- IP/IP, IP/GRE tunneling
- NAT-PT
- 6to4, Autoconfig tunneling

IPv4 Address Configuration

- Fixed (Static)
- DHCP
- PPPoE

IPv6 Address Configuration

- Fixed (Static)
- EUI-64
- Autoconfig (Neighbor Advertisement and Solicitation)

Network Service and Features

IPNext 200 Next Generation IP-PBX

Miscellaneous

- Cisco Style CLI
- Standard & Extended IPv4/IPv6 Access List
- Multi-level User Account Management
- IP accounting
- fsh (Embedded file system shell)
- STUN Client

Network Service and Features

IPNext 200 Next Generation IP-PBX

SNMP MIBs

- MIB-II
- RMON MIBs (Statistics, History, Alarm, Hosts Group)
- RFC2465 Management Information Base for IP Version 6: Textual Conventions and General Group
- RFC2466 Management Information Base for IP Version 6: ICMPv6 Group
- RFC2452 IP Version 6 Management Information Base for the Transmission Control Protocol
- RFC2454 IP Version 6 Management Information Base for the User Datagram Protocol
- AddPac Enterprise MIBs
- etc

User Terminals

IPNext 200 Next Generation IP-PBX

- AP-VP350 MCU Video Phone
- AP-VP300 Video Phone
- AP-VP200 Video Phone
- AP-VP150 Video Phone
- AP-IP300 IP Phone
- AP-IP200 IP Phone
- AP-IP100 IP Phone
- Window based Smart Messenger
- Future Plan : AP-WP100 WiFi IP Phone

AP-VP300 Video Phone

IPNext 200 Next Generation IP-PBX

- **7 Inch LCD Display, Touch Screen**
- **External Video Interface**
 - Composite (RCA) Video In/Out, S-Video Out
- **External Audio In/Out**
- **High-performance Video Codec Support**
 - H.263, MPEG-4, JPEG, and H.264
- **Powerful Image Resolution Support**
 - QCIF(176x144), CIF(352x288), QVGA(320x240), and VGA(640x480)
- **Up to 30fps at 1Mbps with VGA-Resolution(MPEG-4)**
- **Video Conference Call Support (AddPac MCU Inter-working)**
- **SIP, H.323 Signaling Support**
- **Rate Control for Video Traffic QoS**
 - Ensuring Optimized Quality
 - Frame Rate with Limited Bandwidth
- **High-end Error Resilient Against Various Packet Error**



AP-VP150 Video Phone (New)

IPNext 200 Next Generation IP-PBX

- **4.3 Inch LCD Display**
- **External Video Interface**
 - Composite (RCA) Video Out, S-Video Out
- **External Audio In/Out**
- **High-performance Video Codec Support**
 - H.263, MPEG-4, JPEG, and H.264
- **Powerful Image Resolution Support**
 - QCIF(176x144), CIF(352x288), QVGA(320x240), and VGA(640x480)
- **Up to 30fps at 1Mbps with VGA-Resolution(MPEG-4)**
- **Video Conference Call Support (AddPac MCU Inter-working)**
- **SIP, H.323 Signaling Support**
- **Rate Control for Video Traffic QoS**
 - Ensuring Optimized Quality
 - Frame Rate with Limited Bandwidth
- **High-end Error Resilient Against Various Packet Error**



AP-IP300 Premium IP Phone (New)

IPNext 200 Next Generation IP-PBX

- **LCD Window : 4.3 Inch High Quality Color LCD**
- **External I/O Interface**
 - Audio In/Out
 - Two(2) Fast Ethernet Interface
 - PSTN FXO Interface (option)
 - USB 1.1 Host Mode Interface
- **25 Speed Dial Key and Presence Indication LAMP**
- **Various Voice Codec Support**
 - G.711, G.726, G.729, G.723.1, etc
- **SIP, H.323 Signaling Support**
- **Traffic Control, IP Share**
- **IP Audio Broadcasting Support**



AP-IP200 IP Phone

IPNext 200 Next Generation IP-PBX

- **LCD Display**
- **External I/O Interface**
 - Audio In/Out
 - Two(2) Fast Ethernet Interface
 - RS-232C Console(RJ45)
 - PSTN FXO Interface (optional)
- **PoE (Power over Ethernet) Support**
- **Various Voice Codec Support**
 - G.711, G.726,G.729,G.723.1 etc
- **SIP, H.323 Signaling Support**
- **Traffic Control, IP Share**
- **IP Audio Broadcasting Support**



AP-IP100 IP Phone (New)

IPNext 200 Next Generation IP-PBX

- **LCD Window : 66.54mm x 33.26mm(Active Area) Graphic LCD**
- **External I/O Interface**
 - Audio In/Out
 - Two(2) Fast Ethernet Interface
 - PSTN FXO Interface (optional, AP-IP100E Model)
 - FXS Interface (optional, AP-IP100B Model)
- **Various Voice Codec Support**
 - G.711, G.726, G.729, G.723.1, etc
- **SIP, H.323 Signaling Support**
- **Traffic Control, IP Share**
- **IP Audio Broadcasting Support**



IPNext 200 Next Generation IP-PBX

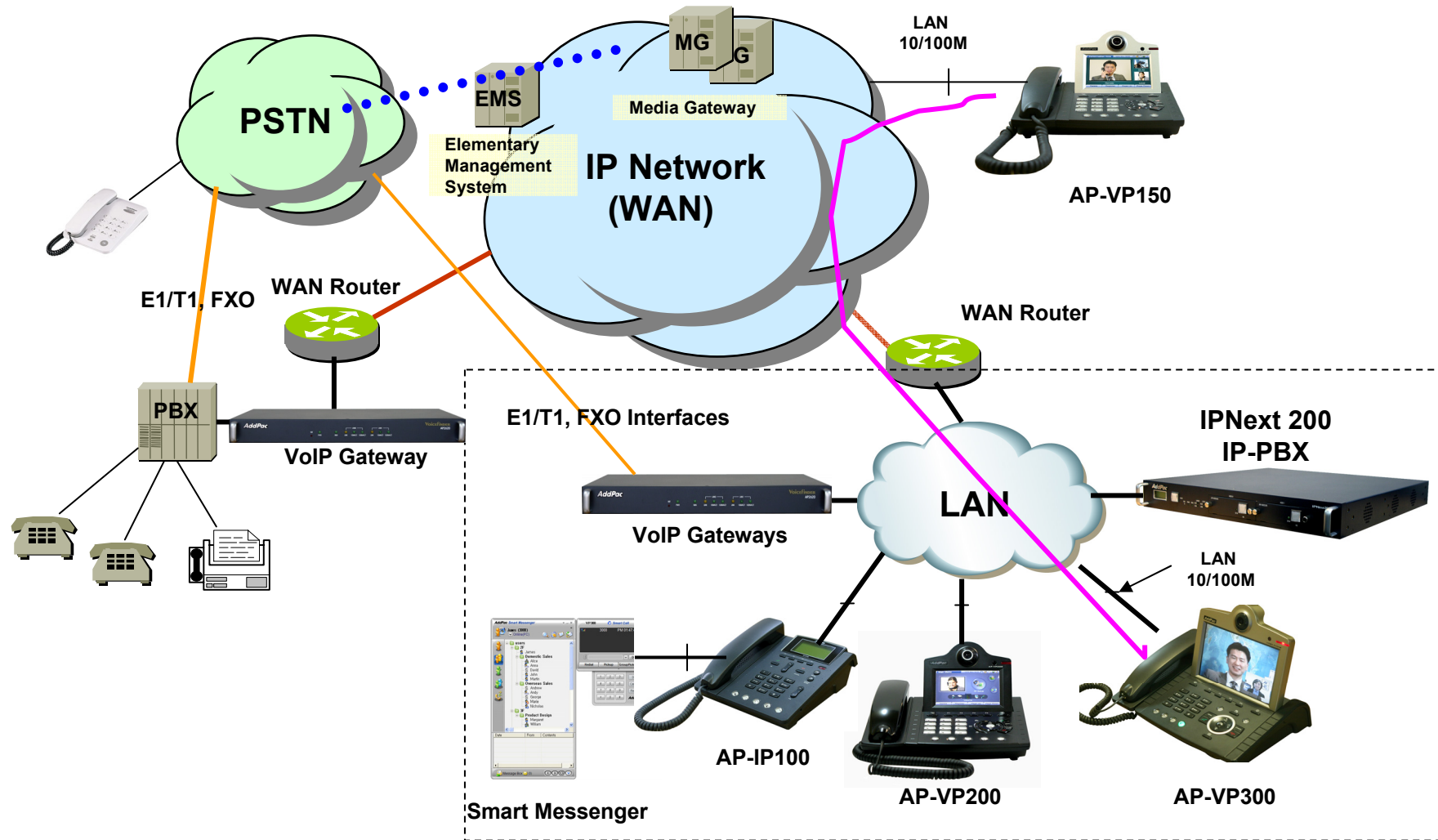
Application Area

- **Standard IP-PBX Application**
- **IP-PBX + IP Audio Broadcasting Application**



Standard IP-PBX Application

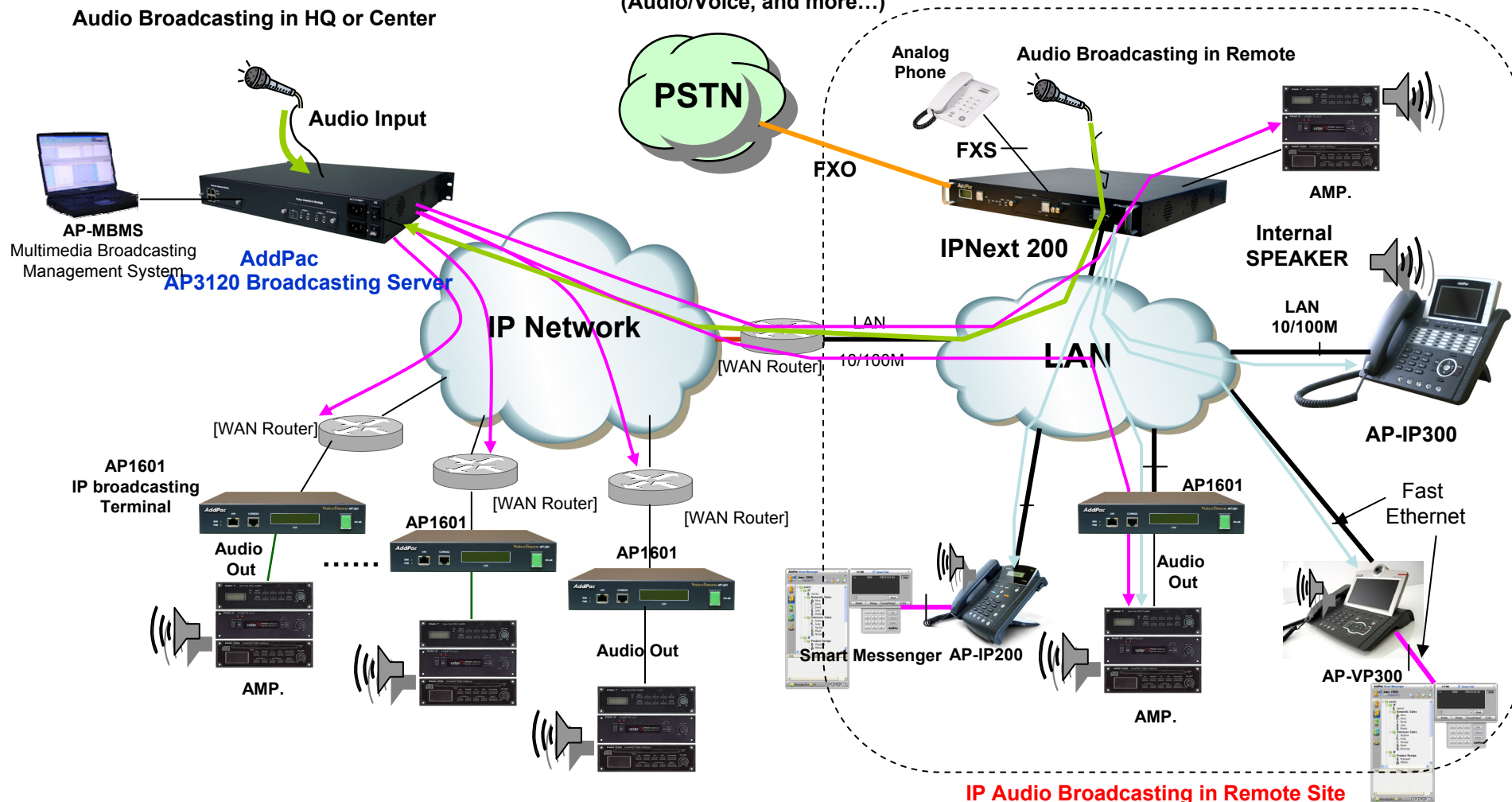
IPNext 200 Next Generation IP-PBX



IP-PBX + IP Audio Broadcasting App.

IPNext 200 Next Generation IP-PBX

Remote Site Audio Broadcasting Service (Audio/Voice, and more...)



Ordering Information

- **IPNext 200 Next Generation IP-PBX Hardware**
 - IPNext 200 IP-PBX Main Body
 - High-performance 64bit RISC CPU
 - 2-ports 10/100Mbps Fast Ethernet and 1-port RS-232C Console
 - Including Network Cable Set & Ext. Power Supply, etc.
 - RAID 1 Hard Disk (2x 2.5 Inch IDE 40Giga, Extendable)
- **Built-in APOS Internetworking Software for IPNext 200**
- **Including 1 Year Hardware Warranty**
- **Product Documents**
 - Install and Operation Guide (PDF)
- **Pricing**
 - AddPac Technology Regional Sales Manager
 - Authorized Sales and Marketing Representatives
 - Please Contact www.addpac.com

IPNext200 Next Generation IP-PBX

Thank you!

AddPac Technology Co., Ltd.
Sales and Marketing

Phone +82.2.568.3848 (KOREA)

FAX +82.2.568.3847 (KOREA)

E-mail sales@addpac.com