

## IP Door Access Control System Solution



AddPac DACS (Door Access Control System) supports both video door phone management/application service and hybrid IP-PBX function in small & medium enterprise. In case of large enterprise likes as university, for example, video door phone number (building) is small relatively compared with student number, AddPac DACS provides separated video door access control and SIP call control service model.

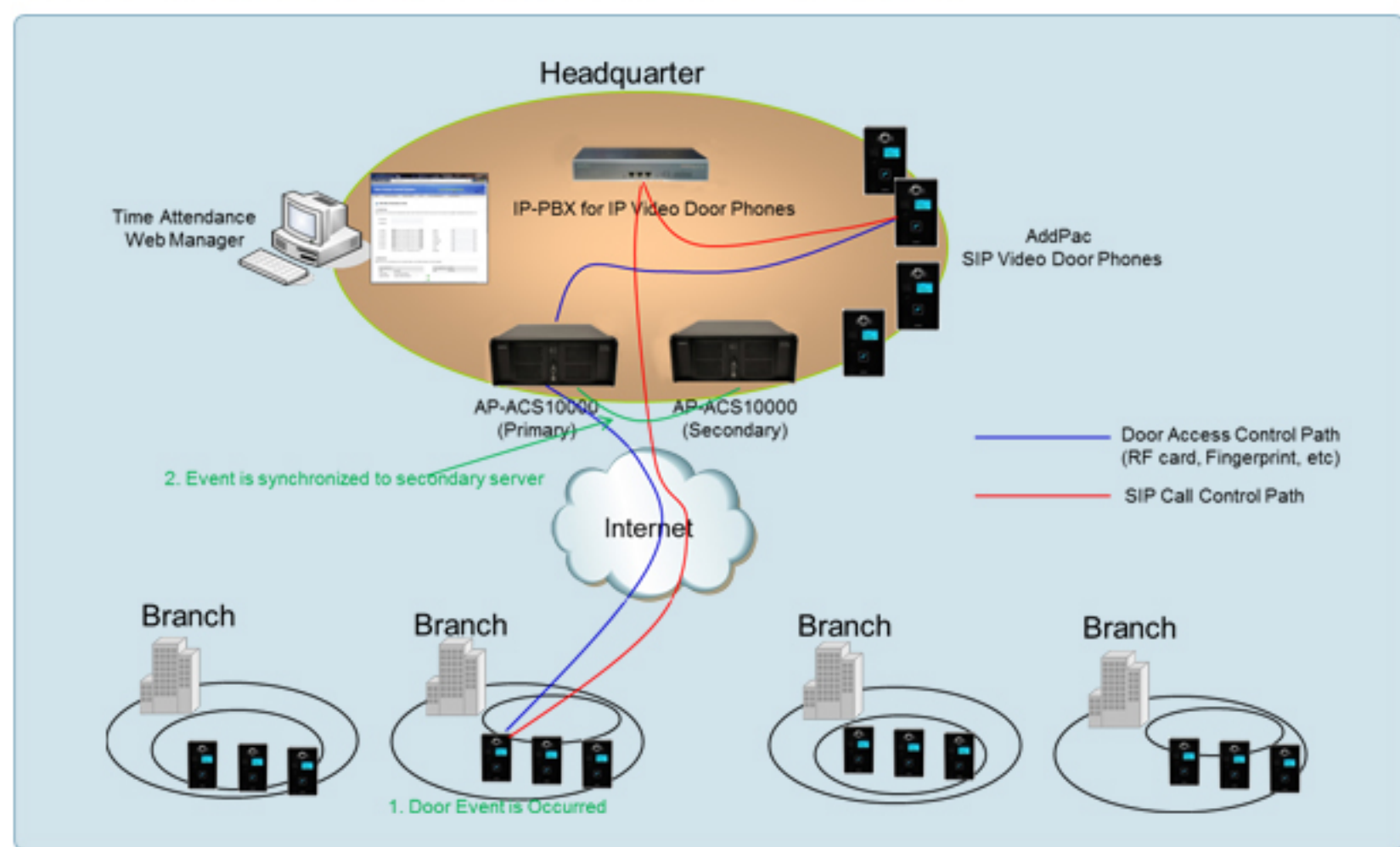
Video door phone management function provides user management function, group management function, setup management function, RF card register and manages, fingerprint verification register and manage, and access log function and allow to extend the application service such as time & attendance/absence. DACS interworks with various AddPac video door phone products to support an efficient video door phone control server. Integrated IP-PBX function of DACS for small & medium enterprise offers to connect several video door phones and administrator video phone using SIP standard call process technology.

## IP Door Access Control System Product Table

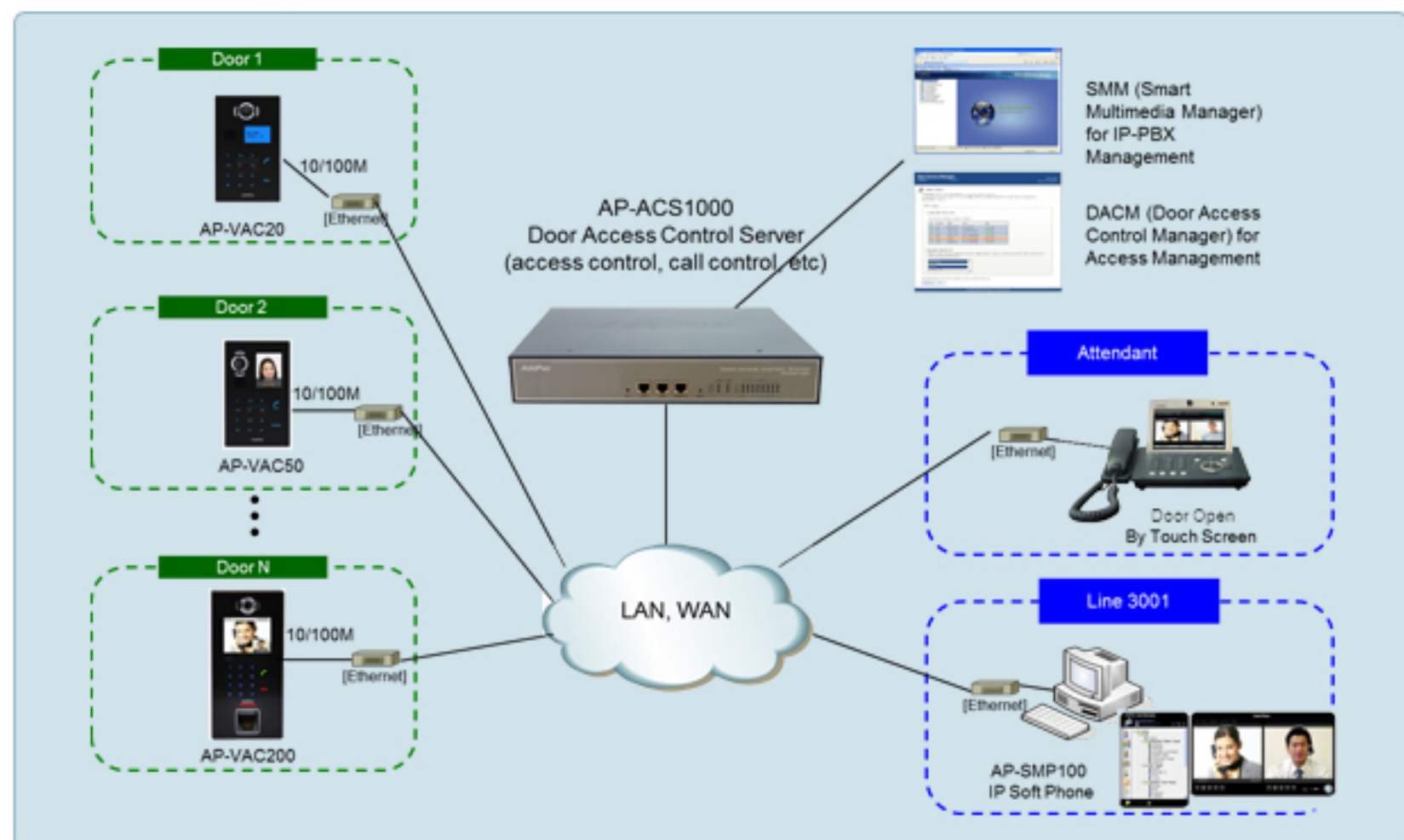
Model	AP-ACS10000	AP-ACS1000	AP-ACS500
Service Features			
Registration User Number	N/A	100	30
Concurrent Call User Number	N/A	30	15
VoIP Signaling	Internal	N/A	SIP
	External	N/A	H.323/SIP
Powerful IVR, UMS, Media Service, User Presence Service	N/A	Support	Support
RTP Proxy Service (IPv6, Private IP)	N/A	Support	Support
LAN Port	1	2	2
VoIP Module Slots for PSTN	N/A	2 Slots (8 Port Module)	N/A
VoIP Interface	N/A	FXS,FXO,E1/T1	Option
Video Door Phone Control (RF card, etc)	Support	Support	Support
Time & Attendance Management	Support	Support(option)	Support (Option)

## Network Diagram

### Large Scale: Separated Door Access Control and SIP Call Control



### Small Scale : Integrated Door Access Control and SIP Call Control



### AddPac Technology Co.,Ltd.

AddPac Texhnology (Korea-Head Office)  
 Phone +8225683848  
 Email sales@addpac.com