

VoIP Gateway Series

QoS Service Overview



AddPac

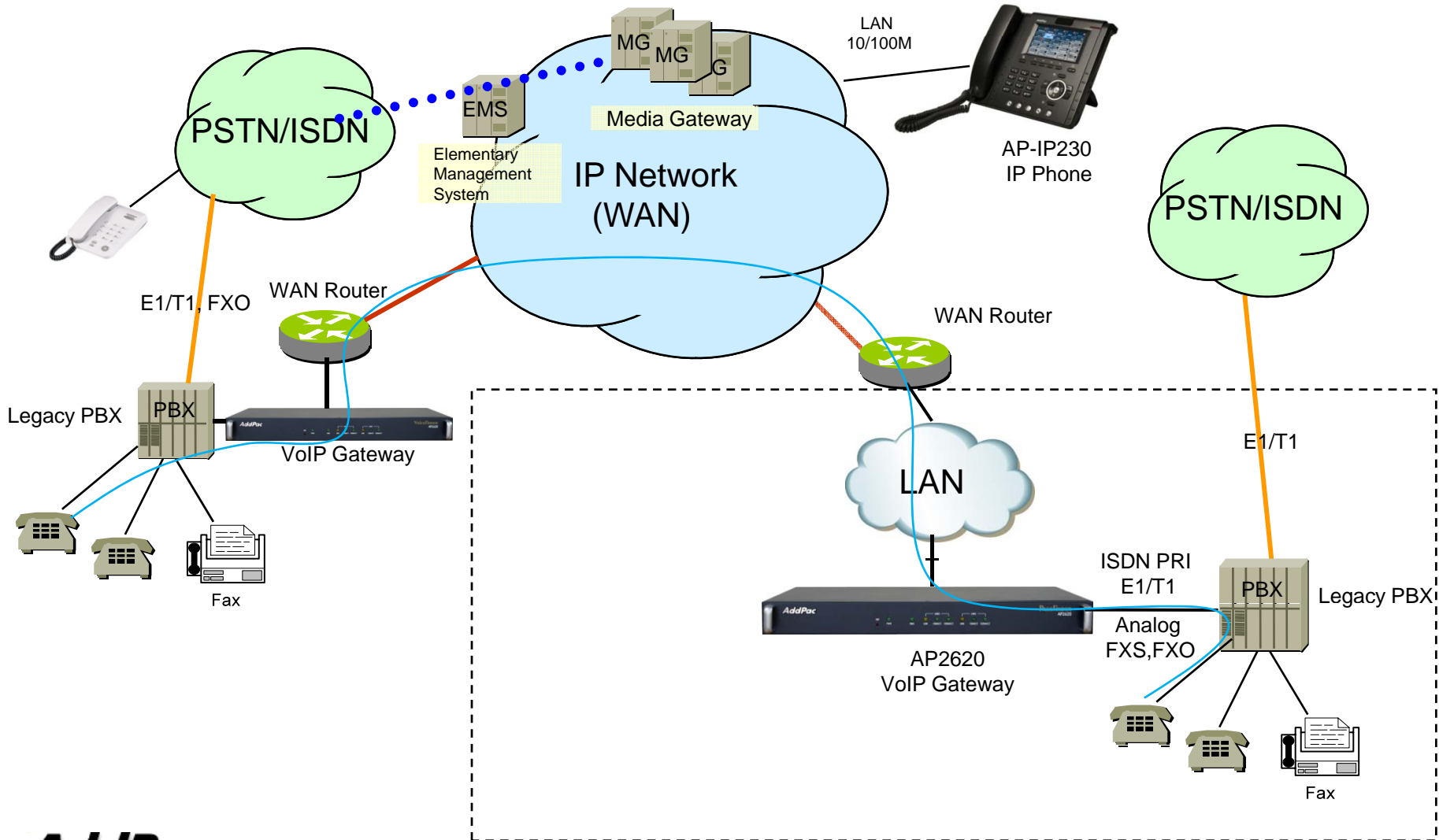
AddPac Technology

2011, Sales and Marketing

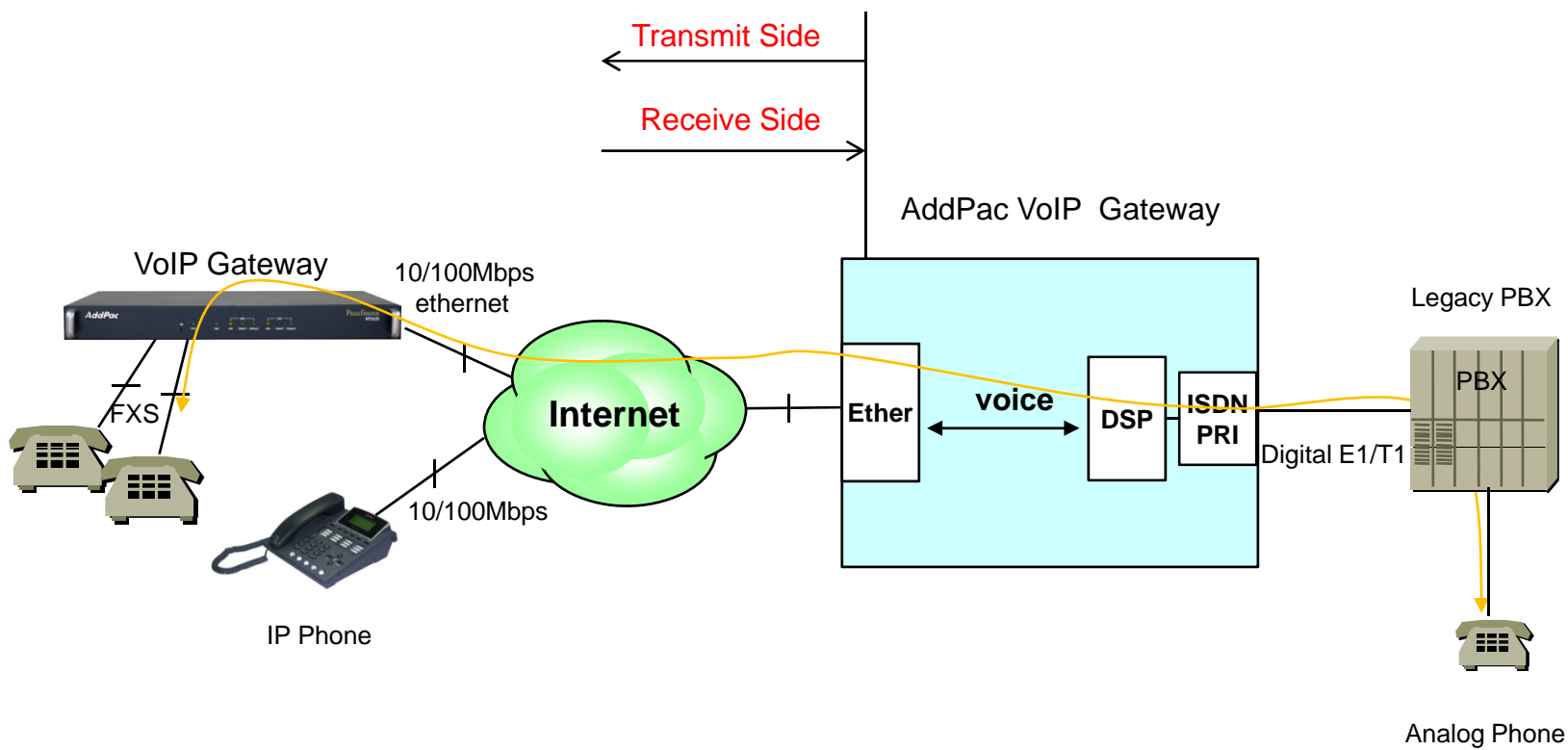
Contents

- Network Diagram
- Advanced QoS Features
- Packet Transmit Diagram (before, after QoS mode)
- Command Line Example for QoS Mode

Network Diagram



Network Diagram



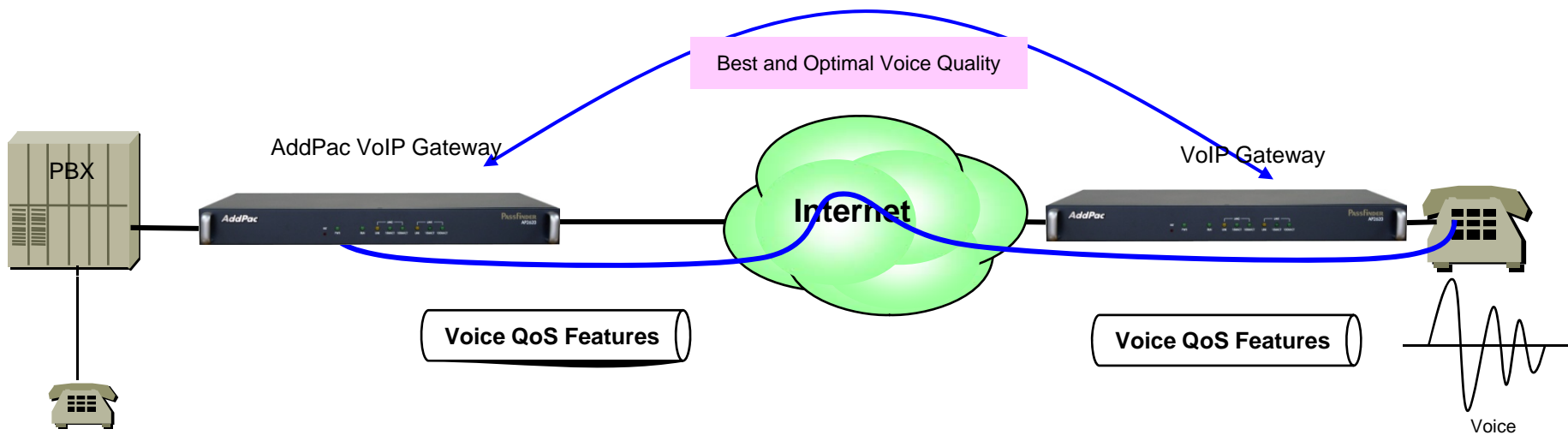
Advanced QoS Features

- Enhances **Transmit** Voice QoS Features

- Voice Traffic Priority Queuing
- QoS Service Profiling
- Providing Virtual Network Transmit Algorithm
- Real-time Voice Traffic QoS Support
- RTP Packet Transmit Interval Control
- Supporting RTP Packet Redundancy Scheme
- IP Header Control such as ToS, Diffserv

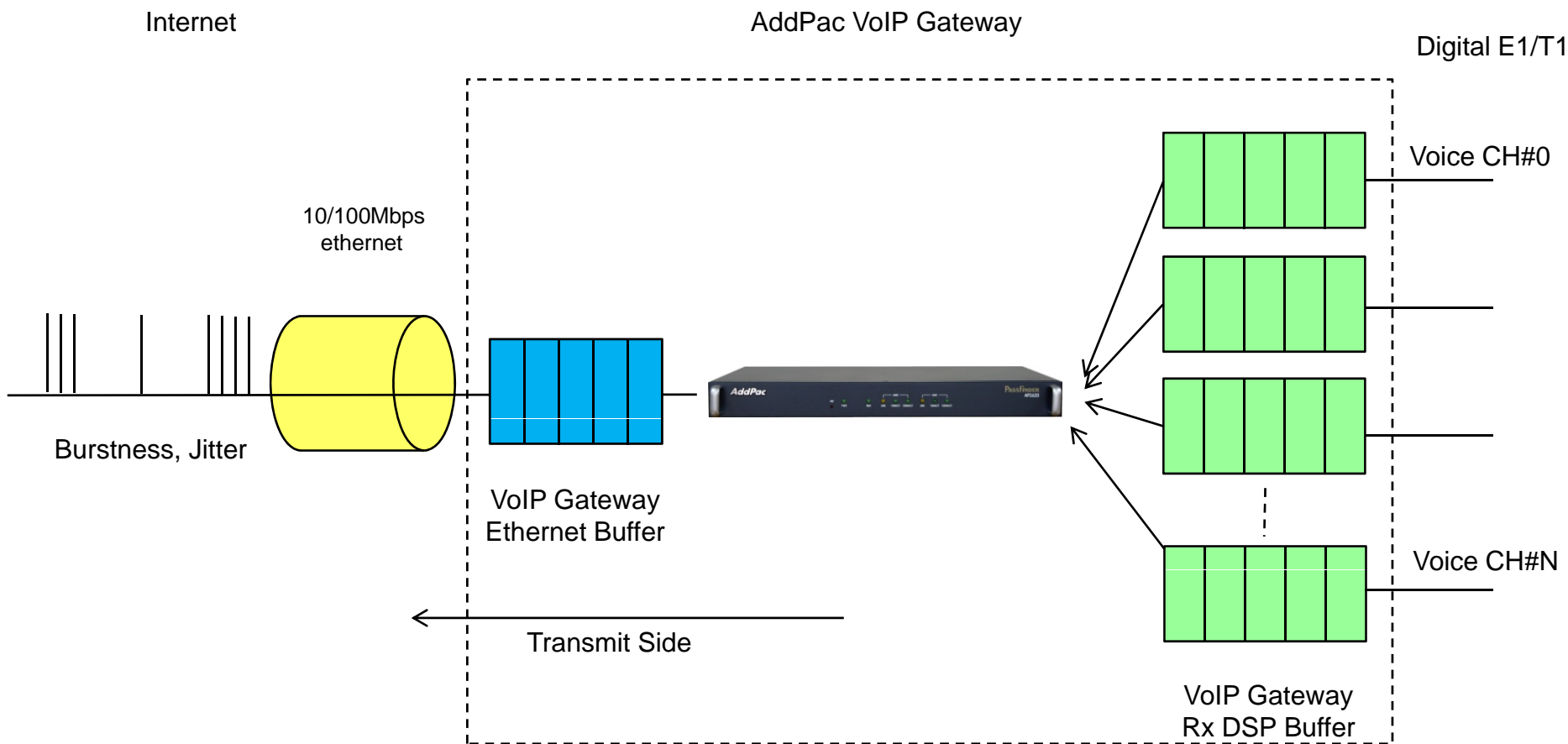
- Enhances **Receive** Voice QoS Features

- Dynamic Jitter Buffer Management
- Error Concealment

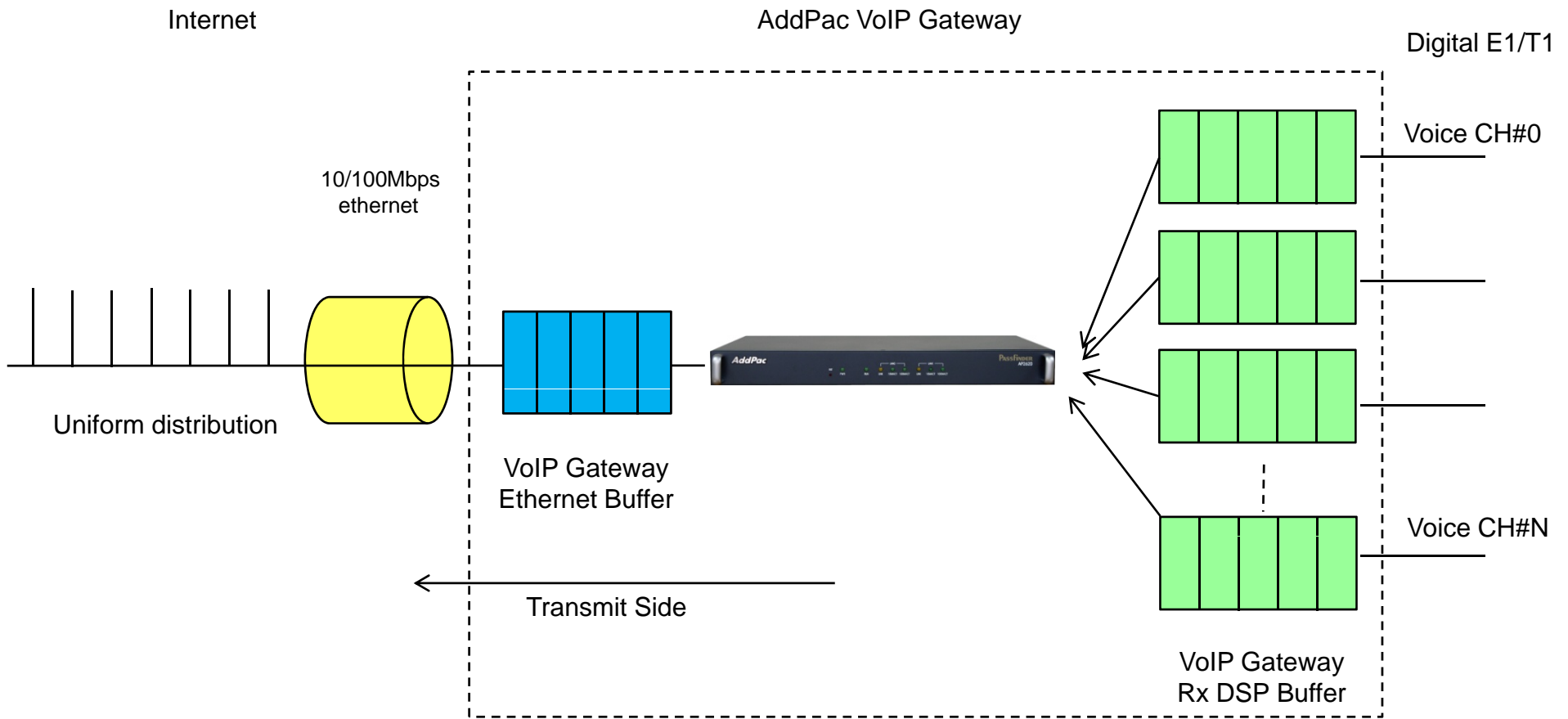


Analog Phone

Packet Transmit (Before QoS enable mode)



Packet Transmit (After QoS enable mode)



CLI for Ethernet interface QoS

Welcome, APOS(tm) Kernel Version 8.51.002.
Copyright (c) 1999-2010 AddPac Technology Co., Ltd.

User Access Verification

Login: **root** ← Login

Password:

MG3000_251> **enable** ← QoS Mode Enable

MG3000_251# **configure terminal** ← Global configuration

MG3000_251(config)# **interface FastEthernet0/0** ← Fast Ethernet 0/0 interface configuration

MG3000_251(config-if)# qos-control
<48-30000> Qos bandwidth (Kbps)

<cr>

MG3000_251(config-if)# qos-control 2048
<50-2000> Qos packet transmission rate (Packet Per Second)

<cr>

MG3000_251(config-if)# qos-control 2048 2000

<cr>

MG3000_251(config-if)# **qos-control 2048 2000** ← QoS Command

VoIP Gateway Series

Thank you!

AddPac Technology Co., Ltd.
Sales and Marketing

Phone +82.2.568.3848 (KOREA)
FAX +82.2.568.3847 (KOREA)
E-mail sales@addpac.com