



AP2610 4-port VoIP Gateway

VoiceFinder AP2610 is designed to provide a full VoIP functionality for BcN (Broadband convergence Network) enterprise customers. It delivers the highest performance for the various VoIP configuration which needs complex call scenarios with diverse voice module equipped in accordance with customer's demand.

AP2610 offers the high level of scalability and interoperability by supplying it's analog voice interfaces as the module type. It supports not only VoIP analog interfaces but also various IP broadcasting modules, which can be a standard setting feature for customers who wishes to empower productivity with both VoIP and IP streaming features on the inter-office scheme.

AP2610 provides LEDs on the front panel indicating operational status of lines, LAN interfaces and CPU. Two(2) 10/100Mbps Fast Ethernet ports and RS232C console interface are the basis for delivering various network services such as LAN-to-LAN routing, Bridge and NAT/PAT service etc. AP2610 is designed to be flexible for environmental changes such as increasing flash, main memory size using SODIMM type socket memory slot. So when configuring future applications such as IPv6, it is easy to access new features.

Various VoIP gateway series of AddPac is approved for its high performance and reliability in world wide markets. AddPac provides highly advanced VoIP services in order to meet demanding and evolving business requirements of customers. Developed through years of experiences and accumulated know-how, AP2610 provides concurrent triple stack such as H.323, SIP, MGCP and QoS for high quality of communication service. This will satisfy enterprise customers with high expectation



AP-FXS301

APOS Internetworking Software

APOS™(AddPac Internetworking Operating System) is AddPac's unique software which supports data, voice, video and security. It provides scalability, reliability, stability and QoS for internetworking solutions. It also provides optimized performance and industry standard network functionality with easy-to-use, easy-to-installation and maintenance.

Product Highlights

- Powerful RISC Microprocessor Architecture
- One Slot for VoIP Interface Module
- Two(2) 10/100Mbps Fast Ethernet Interface
- RS-232C (RJ45) Console Port for CLI Interface
- Front Panel LED for Real-time Status Monitoring
- 4-Port FXS, FXO, E&M VoIP Module and Various Broadcasting Module
- Concurrent Triple Stack of SIP, H.323, MGCP
- Multi Protocol Routing for LAN and WAN Access
- Voice Processing Features
 - VAD, DTMF, CNG, G.168, T.38 G3 Fax Relay
 - G.723, 729A, G.726, 711
- High Performance IP Routing Capability : Static, RIP v1/v2, OSPF v2, etc.
- SNMP MIB V2 for Network Management
- Standard & Extended Access List for Security
- Essential Scalability Features such as DHCP Server & Relay, NAT/PAT, IEEE Transparent Bridging, and Debugging/Diagnostics, etc.
- Remote Firmware Upgrade Through FTP & TFTP Protocol
- CISCO-style CLI (Command Line Interface)
- APOS Guarantees Scalability, Reliability, Stability

AP2610 Applications

- Inter-Office Internet Telephony System
- IP Voice/Video Broadcasting System
- VoIP Gateway for Enterprises
- Internet Telephony and IP Broadcasting System

Hardware Specification

- Micro Processor (CPU)
 - RISC Micro Processor
- Memory
 - Boot memory 512Kbyte Flash Memory
 - System memory 4Mbyte Flash Memory
 - Main memory 32Mbyte SDRAM
- Analog VoIP Interface
 - FXS 4-port FXS Interface (4 x RJ11)
 - FXO 4-port FXO Interface (4 x RJ11)
 - FXS/FXO 2-port FXS /2-port FXO Interface(4 x RJ11)
 - FXS3O1 3-port FXS /1-port FXO Interface(4 x RJ11)
 - E&M 4-port E&M Interface (4 x RJ45)
- VoIP & IP Voice Broadcasting Interface
 - FXS3A1 3-port FXS (3xRJ11), Audio IN/OUT
- Ethernet Interface
 - 10/100Mbps 2-port Ethernet (RJ-45)
- Console Port
 - RS-232C 1-port Console (RJ-45)

IP Routing Protocol

- Static and IEEE802.1Q VLAN Routing
- RIP v1/v2, OSPF v2

WAN Protocol

- Broadband IP Network
- PPPoE
- Standard Compliant WAN Network Protocol

Voice over IP Service

- H.323, SIP, MGCP VoIP Signaling Protocol
- VAD, DTMF, CNG, G.168, T.38 FAX Relay
- H.323 Gateway & Gatekeeper Support
- Voice Codec : G.723, G.729, G.726, G.711, G.711PLC
- Various VoIP Features
- Interoperable with Diverse VoIP Gateways
- Interoperable with Diverse VoIP Gatekeeper, SIP Proxy, MGC
- IP Voice/Audio Broadcasting Module and Features (Interworking with AddPac Server)

Network Management

- Standard SNMP Agent (MIB v2) Support
- Console, Telnet, Web Based Management
- Remote Download via FTP/TFTP
- Remote Firmware Upgrade using FTP/TFTP

Traffic QoS Control

- Traffic QoS Control Feature For Services
- Voice, Data Prioritizing Control
- Various QoS Algorithm Support

Security Feature

- IP Packet Filtering / Access List
- Access Control and Data Protections
- Enable/Disable for Specific Protocols
- Multi-level User Account Management
- Auto-disconnect for Telnet/Console Sessions
- PPP User Authentication Support
- Password Authentication Protocol (PAP)
- Challenge Handshake Authentication Protocol (CHAP)

Other Features

- DHCP Server and Relay
- Network Address Translation (NAT)
- Port Address Translation (PAT)
- Transparent Bridging (IEEE Standard)
 - Spanning Tree Bridging Protocol
 - Concurrent Routing and Bridging
- NTP (Network Time Protocol)
- Cisco Style Command Line Interface
- Load Balancing
- Standard Compliant Network Protocol

Power & Operational environment

- Adaptor VAC 110~220V, 50/60Hz
- Power 5V, 5A, 25Watt
- Temperature 0°C~+45°C (operating)
- Temperature -40°C~+85°C (storage)
- Humidity 5%~95%

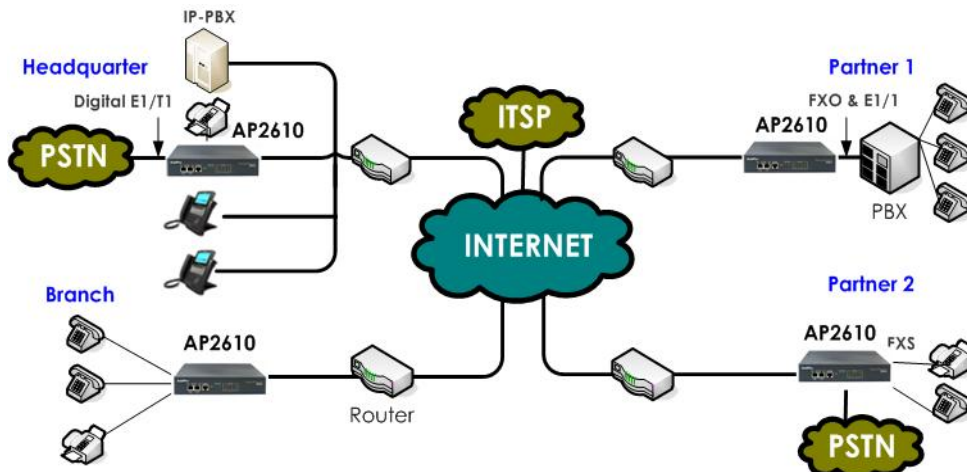
Dimensions

- D x W x H : 222x332x43
- Weight : 2.2 Kg

Operation & Management

- Performance Analyzing (Process, CPU, Interface)
- Configuration Backup and Restore for APOS Management
- Debugging and Diagnosis Features
- System Booting/Rebooting through WatchDog
- Data Logging Features
- IP Traffic Statistics through Accounting

AP2610 Network Diagram



Ordering Information

AP2610-01 : AP2610 Standard Configuration

- Two(2) Fast Ethernet Port
- One(1) Console Port
- RISC CPU,
- 4MB Flash, 32MB SDRAM
- APOS v8.xx Manual

- CAB-LAN Ethernet Cable
- CAB-CON RS-232C Console Cable

- AP2610-FXS4 4-Port FXS8 Module
- AP2610-FXO4 4-Port FXO8 Module
- AP2610-FXS2O2 2-Port FXS,FXO Module
- AP2610-FXS3O1 3-Port FXS, 1-Port FXO
- AP2610-E&M4 4-Port E&M Module