

# AP-GS2800™

## Multi-Port GSM Gateway

High Performance GSM Gateway Solution

H/W Design Concept



**AddPac**

**AddPac Technology**

2012, Sales and Marketing

[www.addpac.com](http://www.addpac.com)

# Contents

- Product Overview
- Hardware Specification
- AP-N1-GSM4 Module Diagram
- AP-N1-GSM4 H/W Block Diagram
- 28-Port GSM Service Configuration
- 24-Port GSM + Digital E1/T1 Service Configuration
- 28-Port GSM Service Network Diagram

# Product Overview

- Seven(7) Module Slots for 4-Port GSM Module, 8FXS/8FXO Analog Interface (**Up to 28-Port GSM**, Digital E1/T1 Module, CPU Module)
- H.323/SIP Dual Concurrent Stack Embedded
- High Performance RISC & Programmable DSP Architecture
- G.711/G.726/G.723/G.729, T.38 Fax , VAD, etc
- Powerful Network Protocols (PPPoE, DHCP, Static Routing, etc)
- Two(2)10/100Mbps Fast Ethernet
- One(1) RS-232C Port for Command Line Interface
- Firmware Upgradeable Architecture
- VPMS (VoIP Plug&Play Management System) & NMS for Large Scale Deployment
- Advanced Voice QoS Mechanism
- Rack Mountable Chassis with Internal Power Supply

# Hardware Specification

RISC  
CPU

High-end  
DSP

- RISC Microprocessor Computing Power
- Seven(7) Module Slot for GSM, CDMA, Analog /Digital VoIP Interface
- 4-Port GSM Module(AP-N1-GSM4)
  - 4-Port SIM Card Slot
  - One(1) GSM Antenna Interface (Internal 4 Channel Combiner)
  - Hot-Swap
- VoIP Interface Modules (Hot-Swap)
  - 8-Port FXS Module (AP-N1-FXS8)
  - 8-Port FXO Module (AP-N1-FXO8)
  - Digital E1/T1 Module (AP-N1-E1)
- Network Interface
  - Two(2) 10/100Mbps Fast Ethernet (RJ45)
- RS232C Console Interface for CLI
- Run LED, LAN LED, Port LEDs
- Internal Power Supply



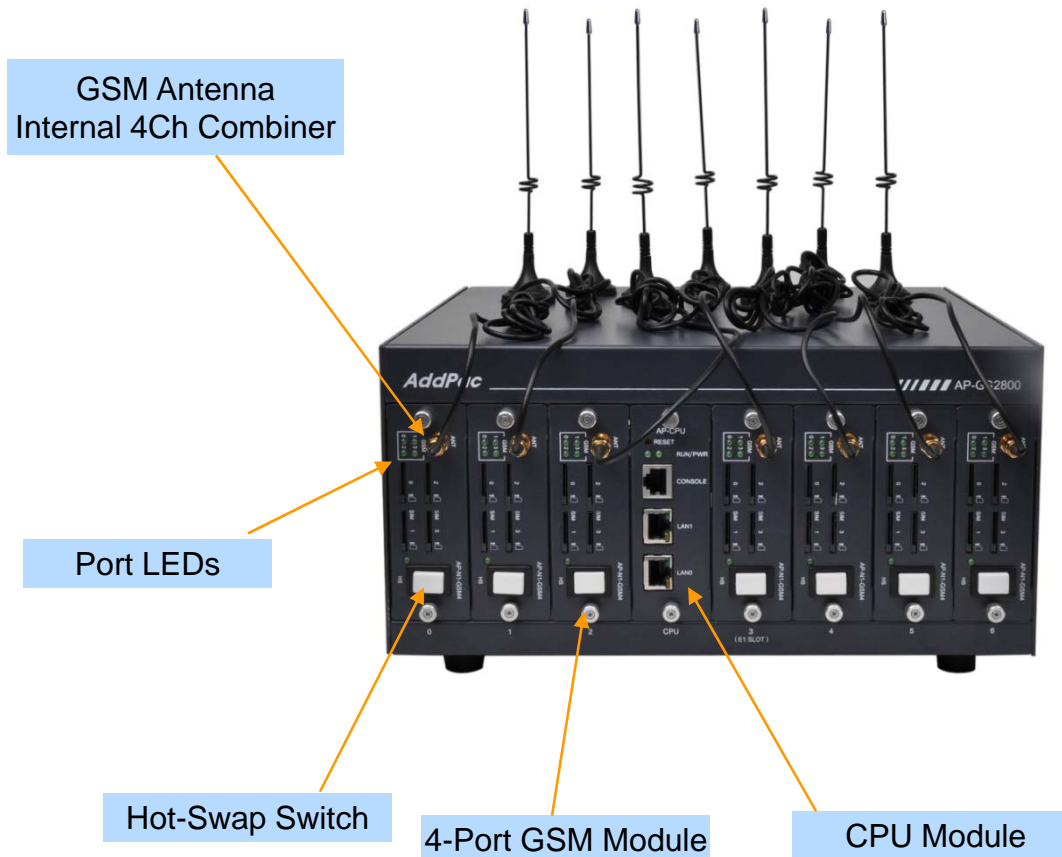
# Hardware Specification

RISC  
CPU

High-end  
DSP

## Hardware Specification

## Front Side View



# Hardware Specification

RISC  
CPU

High-end  
DSP

## Hardware Specification

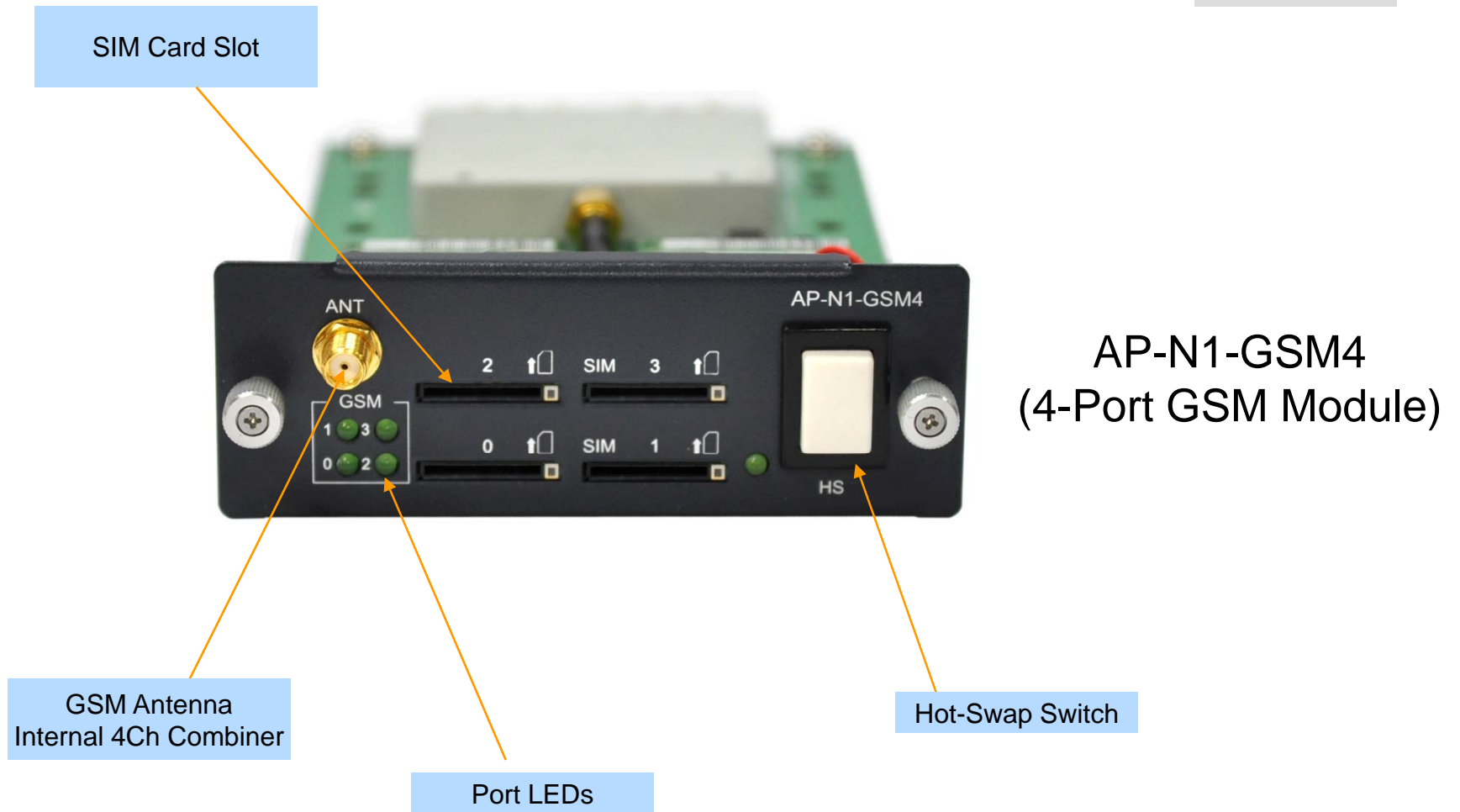
## Back Side View



# AP-N1-GSM4 Module Diagram

RISC  
CPU

High-end  
DSP



AP-N1-GSM4  
(4-Port GSM Module)

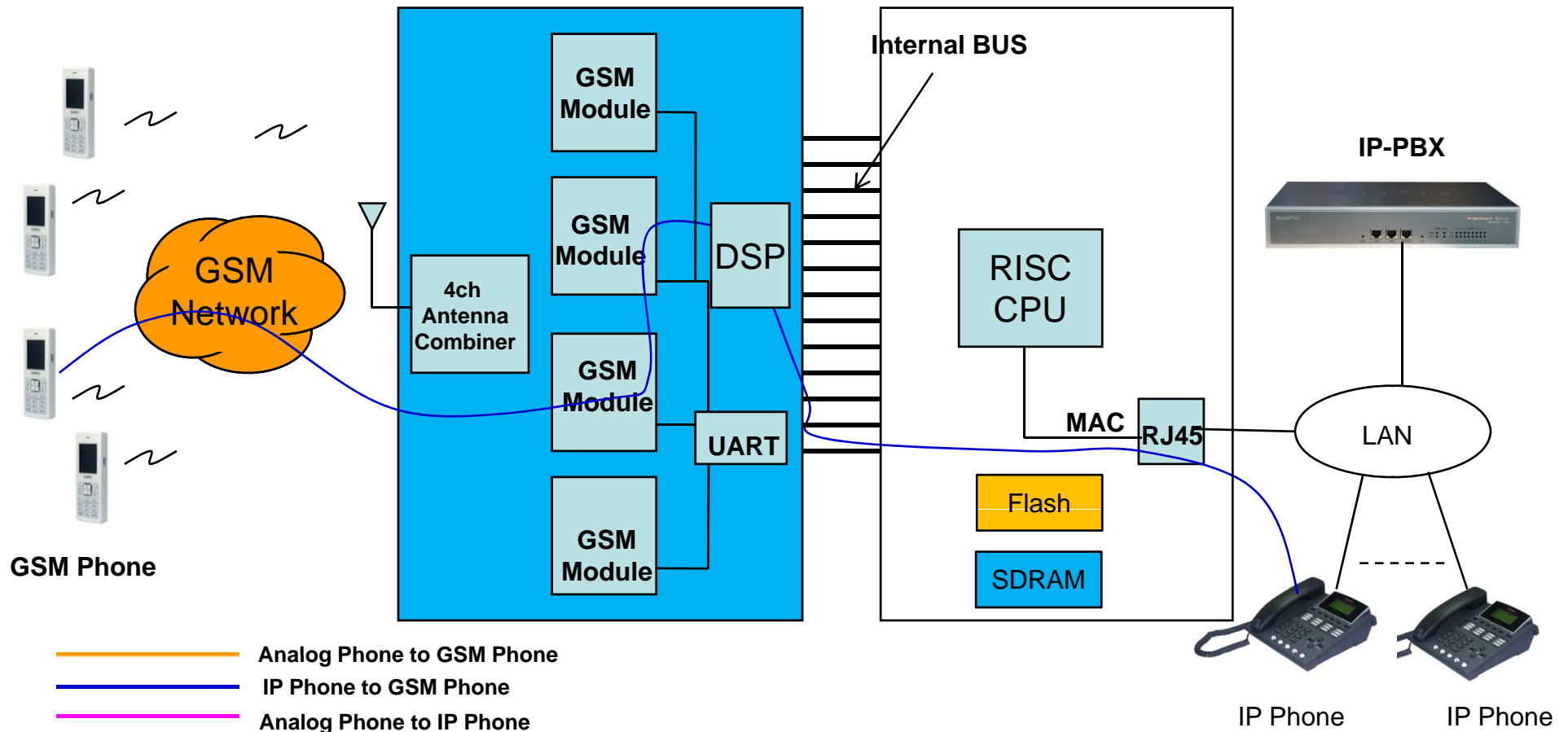
# AP-N1-GSM4 H/W Block Diagram

RISC  
CPU

High-end  
DSP

## GSM Gateway Service Diagram

AP-N1-GSM4 4-Port GSM Module Internal H/W Block Diagram

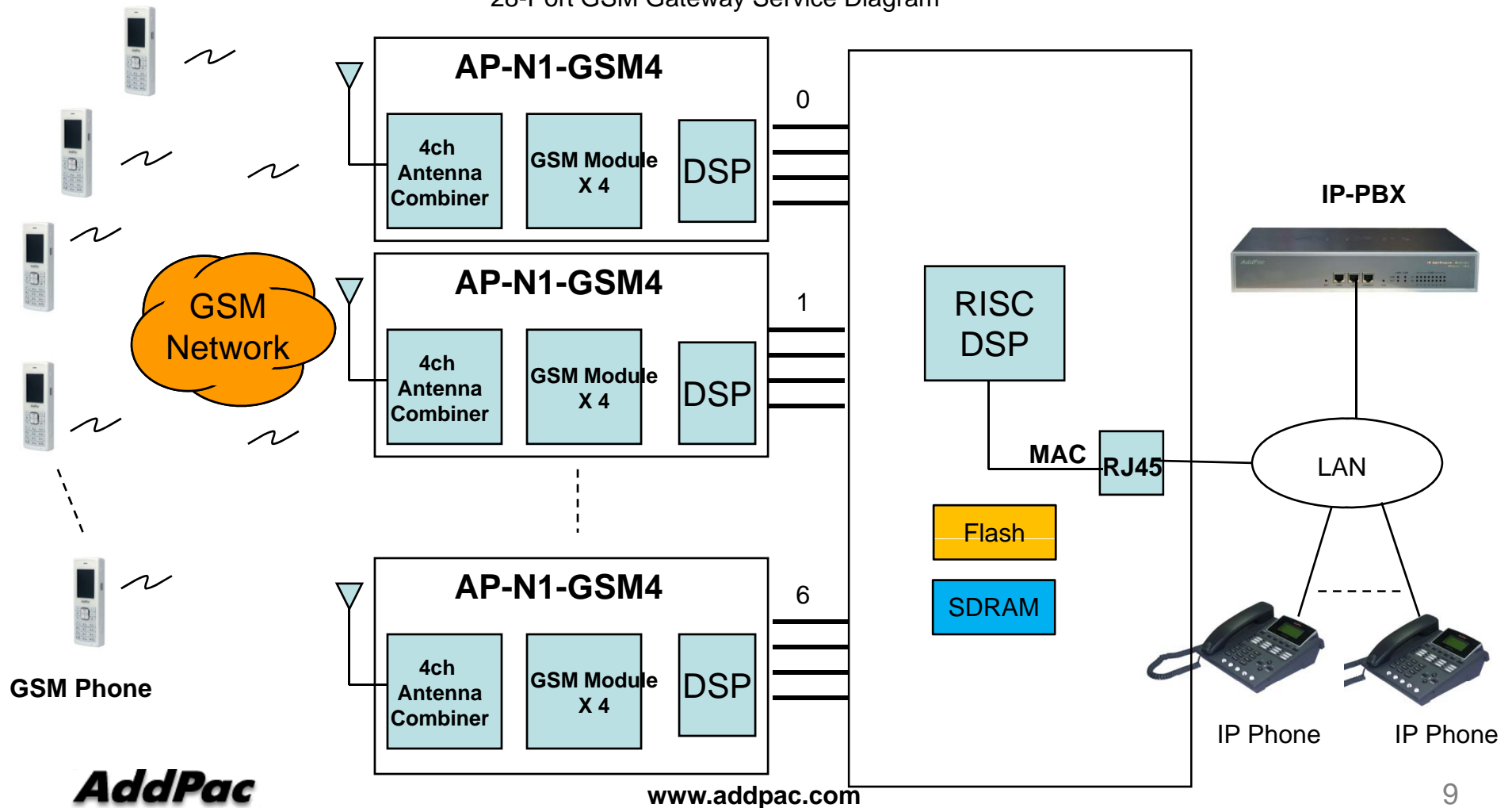




# 28-Port GSM Configuration

## GSM Gateway Service Diagram

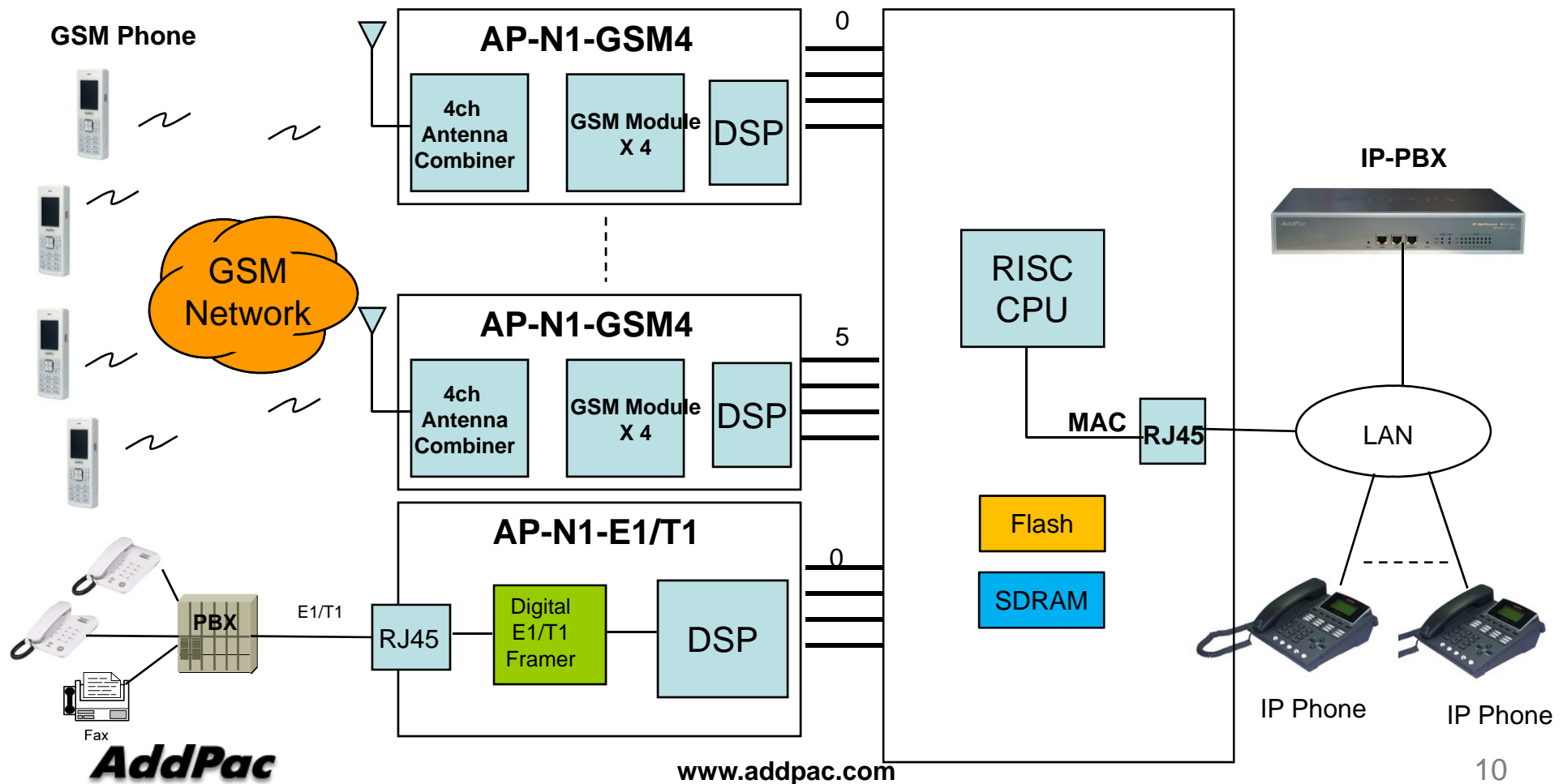
28-Port GSM Gateway Service Diagram



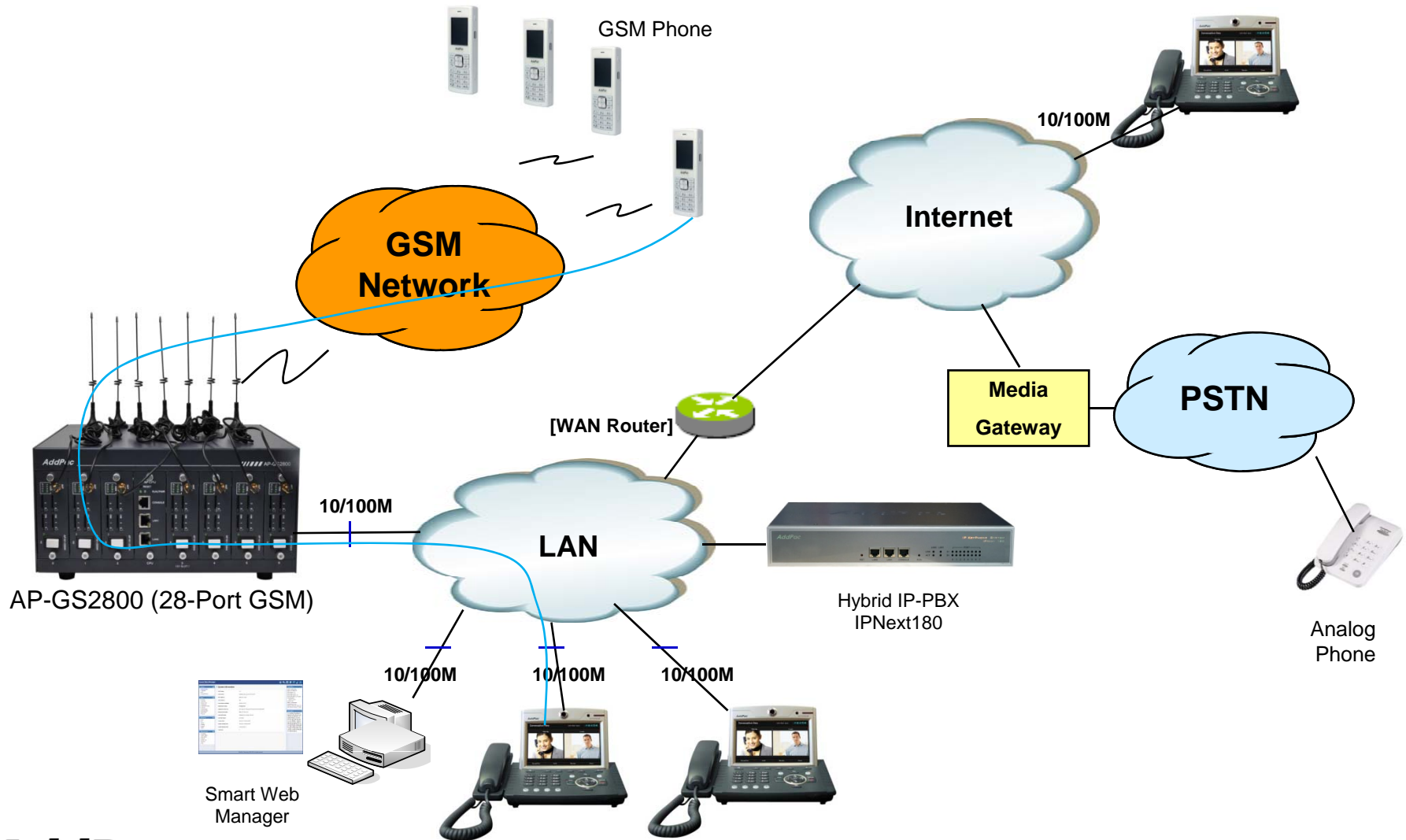
# 24-Port GSM + Digital E1/T1 Configuration

## GSM Gateway Service Diagram

24-Port GSM + Digital E1/T1 Gateway Service Diagram



# Network Service Diagram



# GSM Gateway Series

# Thank you!

**AddPac Technology Co., Ltd.**  
Sales and Marketing

Phone +82.2.568.3848 (KOREA)

FAX +82.2.568.3847 (KOREA)

E-mail [sales@addpac.com](mailto:sales@addpac.com)