

---

---

# AP190 VoIP Gateway

Performance Study :  
LAN-to-LAN Throughput Test

---

---



**AddPac Technology Co., Ltd.**

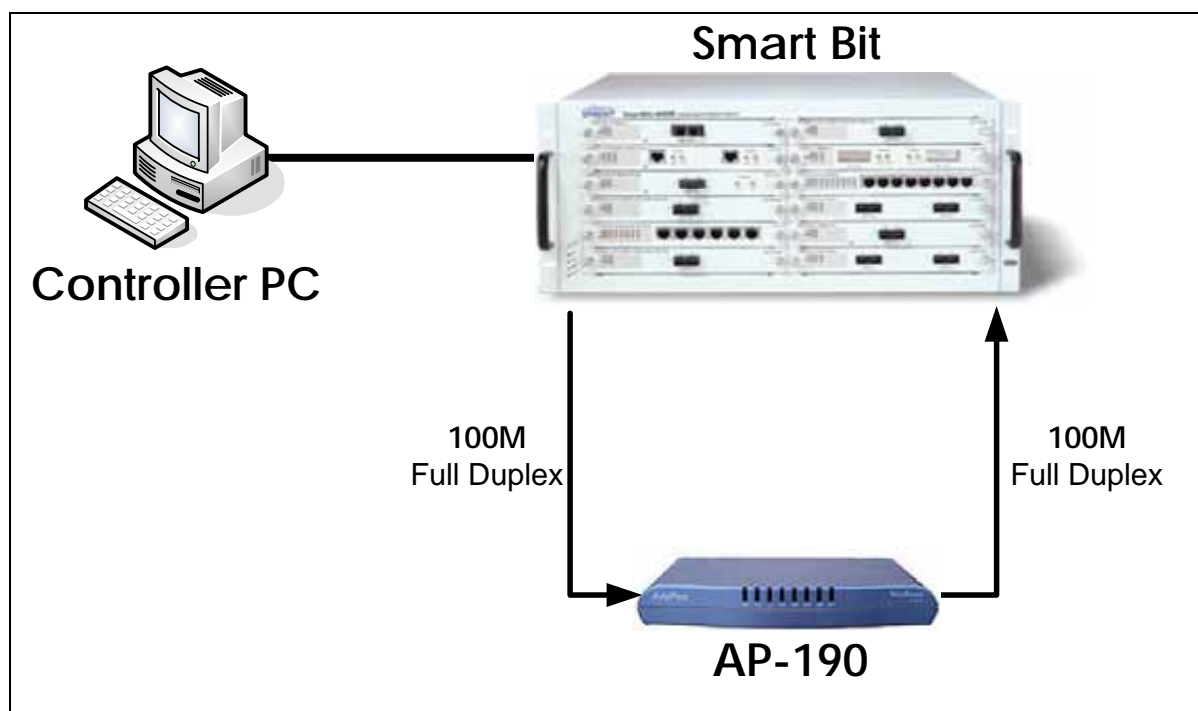
R&D Center  
[www.addpac.com](http://www.addpac.com)

## Hardware Specification

HW		Specification
Model		AP190
Product Categories		Small-scale VoIP Gateway
Microprocessor		32bit RISC Microprocessor
Memory	System Memory	2MB Flash Memory
	Main Memory	16MB High Speed SDRAM
Voice Interface	FXS Voice Port	1-Port, RJ-11 Connector
	PSTN Backup Port(option)	1-Port, RJ-11 Connector
Ethernet Interface	Ethernet WAN Port	1-Port 10/100M Fast Ethernet, RJ-45 Connector
	Ethernet LAN Port	1-Port 10/100M Fast Ethernet, RJ-45 Connector
Console Interface	RS-232C Serial Port	1-Port, RJ-45 Connector
Power Supply	AC Power Input	External AC110~220V Power Supply (Adapter)
Dimension	W x D x H, Weight	200 x 137 x 26(mm), 400g

Model	FXS	FXO	Ethernet	PSTNBackup	Console	APOS
AP190	1	-	2(10/100M)	option	1	H.323, SIP, MGCP

## Test Network Diagram



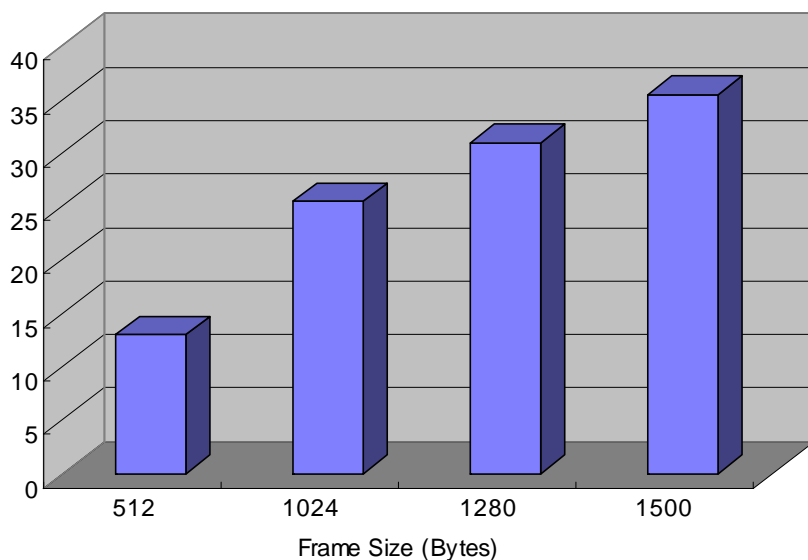
## Test Details

- Performance Measuring Equipment : SmartBits 600
- Test terms : Throughput Test with SmartBits Application v3.00 Throughput Test
- Length : 60 seconds
- Test Mode : Bi-directional, Uni-directional

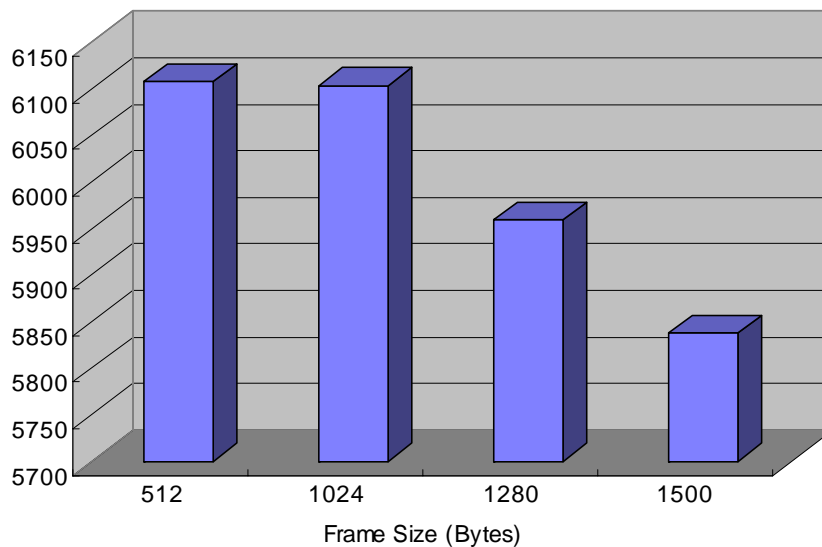
### Test Result A : Bi-directional

Frame Size (Bytes)	Passed Rate (%)	LAN0 (pks/sec)	LAN1 (pks/sec)	LAN1 (pks/sec)	LAN0 (pks/sec)	Total (pks/sec)
512	13.00	3054	3054	3054	3054	6108
1024	25.49	3052	3052	3052	3052	6104
1280	30.99	2980	2980	2980	2980	5960
1500	35.49	2919	2919	2919	2919	5838

Bi-directional Passed Rate (%)



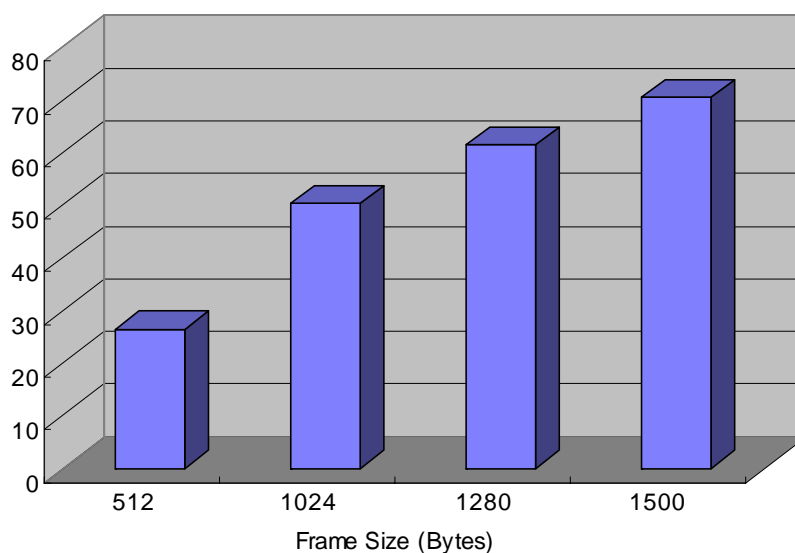
Bi-directional Packet Rate (pks/sec)



### Test Result B : Uni-directional

Frame Size (Bytes)	Passed Rate (%)	LAN0 (pkts/sec)	LAN1 (pkts/sec)	Total (pkts/sec)
512	26.51		6228	6228
1024	50.39		6033	6033
1280	61.51		5914	5914
500	70.56		5803	5803

Uni-directional Passed Rate (%)



Uni-directional Packet Packet Rate (pkts/sec)

