



# AP-GS1004™

## 4-Port GSM Gateway

High Performance GSM Gateway Solution

### H/W Design Concept



**AddPac**

**AddPac Technology**

2011, Sales and Marketing

[www.addpac.com](http://www.addpac.com)

# Contents

- Product Overview
- Hardware Specification
- AP-GS1004 Model A
  - Back Side View
  - Internal Hardware Block Diagram
  - Network Service Diagram
- AP-GS1004 Model B
  - Back Side View
  - Internal Hardware Block Diagram
  - Network Service Diagram
- AP-GS1004 Model C
  - Back Side View
  - Internal Hardware Block Diagram
  - Network Service Diagram



# Product Overview

- 4-Port GSM Interface (Antenna, Slots for SIM card)
- PSTN Interface/VoIP Interface(LAN) Both Support
- FXS, FXO Analog Interface Support
- H.323/SIP/MGCP Triple Concurrent Stack Embedded
- High Performance RISC & Programmable DSP Architecture
- One(1) 10/100Mbps Fast Ethernet
- G.711/G.726/G.723/G.729, T.38 Fax , VAD, etc
- Powerful Network Protocols (PPPoE, DHCP, Static Routing, etc)
- Firmware Upgradeable Architecture
- VPMS (VoIP Plug&Play Management System) for Large Scale Deployment
- Advanced Voice QoS Mechanism
- Light and Compact Design with External Power Supply

# Hardware Specification

RISC  
CPU

High-end  
DSP

- AP-GS1004 Embedded Platform
- Voice Interface
  - No Analog Interface (Model A)
  - FXS 4ch Model (Model B)
  - FXO 4ch Model (**Model C**) : New Model
- RISC Microprocessor Computing Power
- Audio Codec
  - G.711, G.726, G.729, G.723.1
- Main Chassis
  - One(1) RS-232C Console (RJ45) for CLI
  - 4-Port SIM Card Slots
  - One(1) GSM Antenna Interface (Internal 4-channel Antenna Combiner)
  - One(1) Fast Ethernet Port
  - External Power Adaptor

# Hardware Specification

RISC  
CPU

High-end  
DSP



**AddPac**

[www.addpac.com](http://www.addpac.com)



# AP-GS1004 Model A

# Back Side View

RISC  
CPU

High-end  
DSP

## Back Side View

AP-GS1004 Model A



Power Switch

Power Input

GSM Antenna  
Interface

SIM Card  
Slot

LAN0 10/100Mbps  
Ethernet

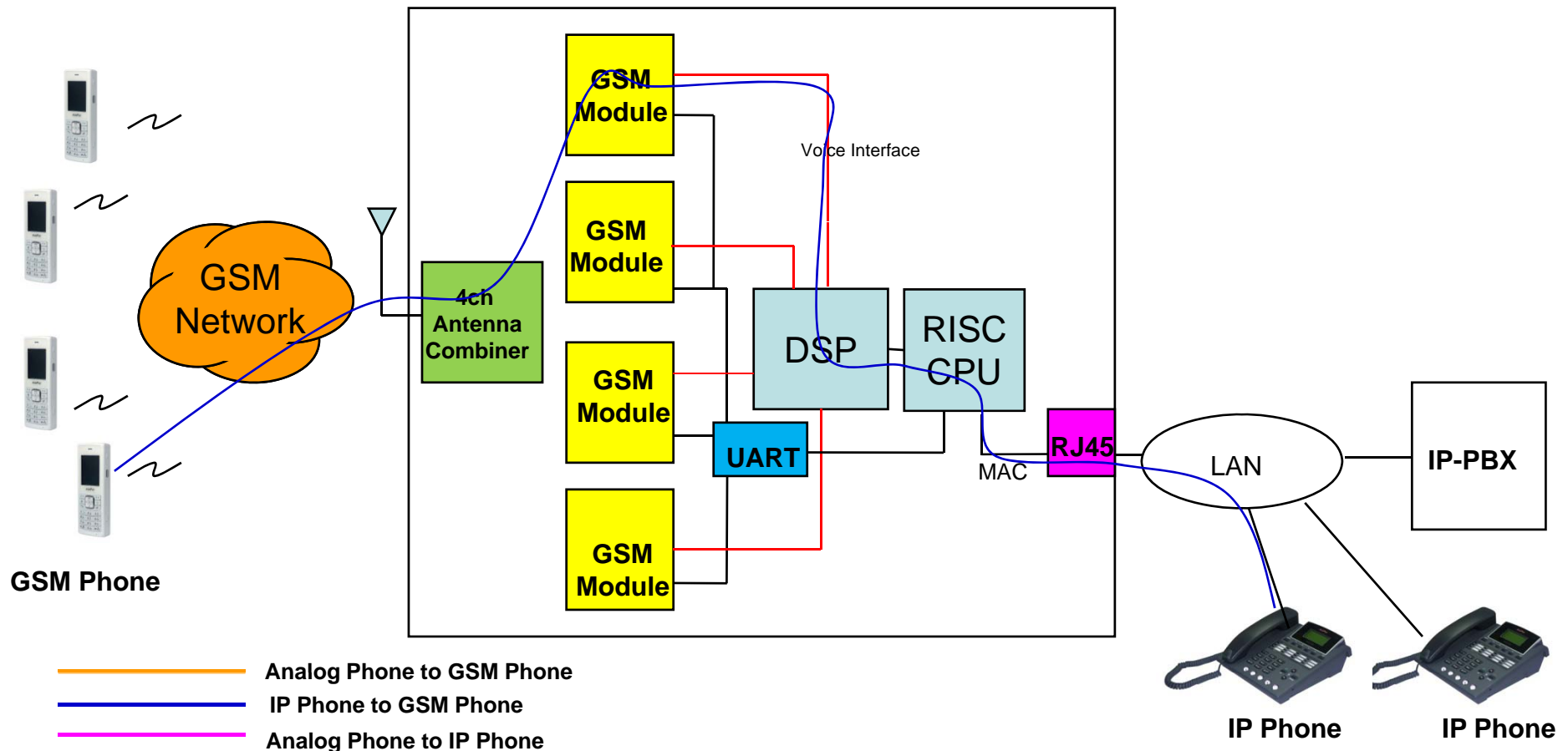
RS232C  
Console Port

# Internal H/W Block Diagram

RISC  
CPU

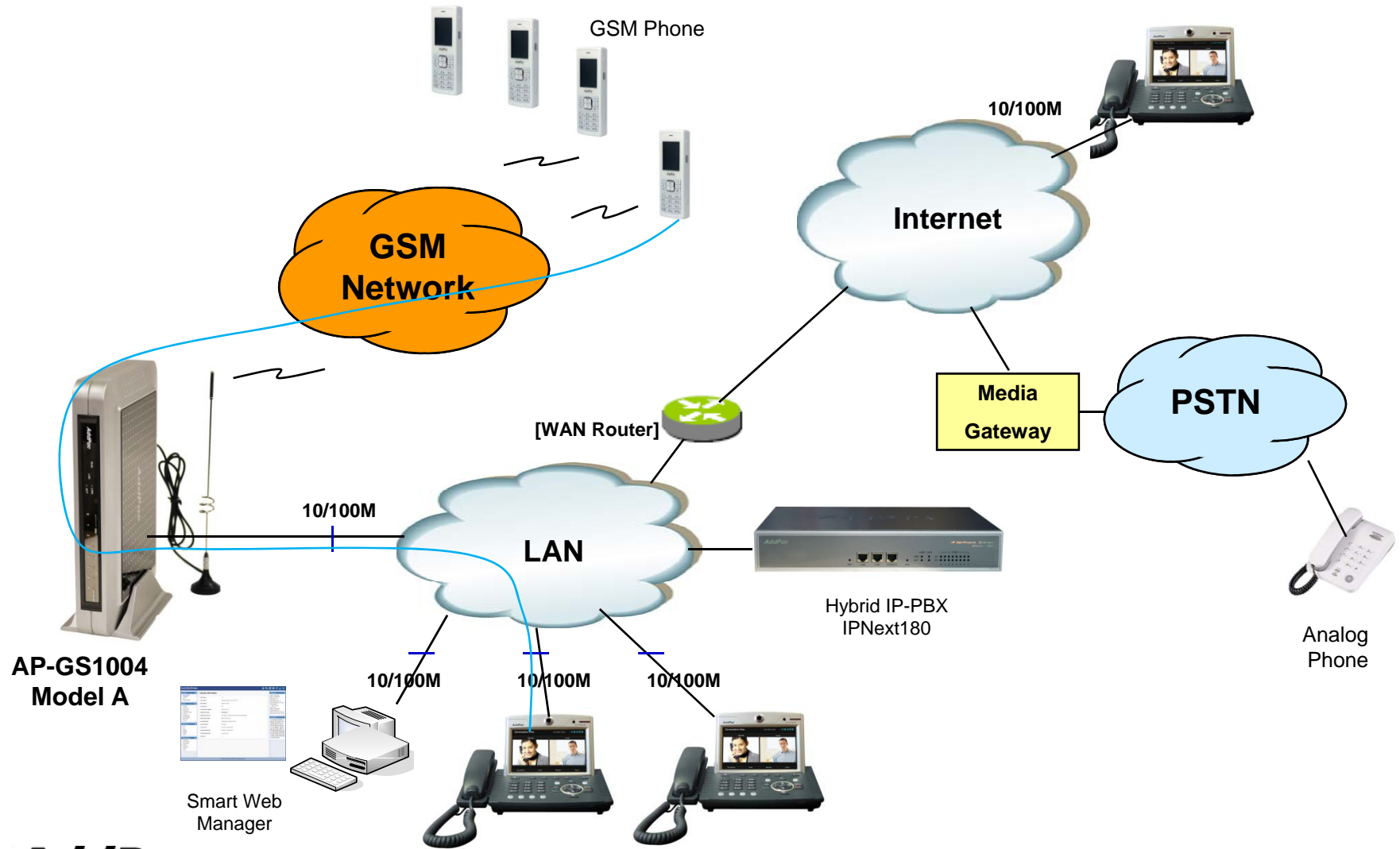
High-end  
DSP

## Model A Internal H/W Block Diagram





# Network Service Diagram



**AddPac**

[www.addpac.com](http://www.addpac.com)



# AP-GS1004 Model B

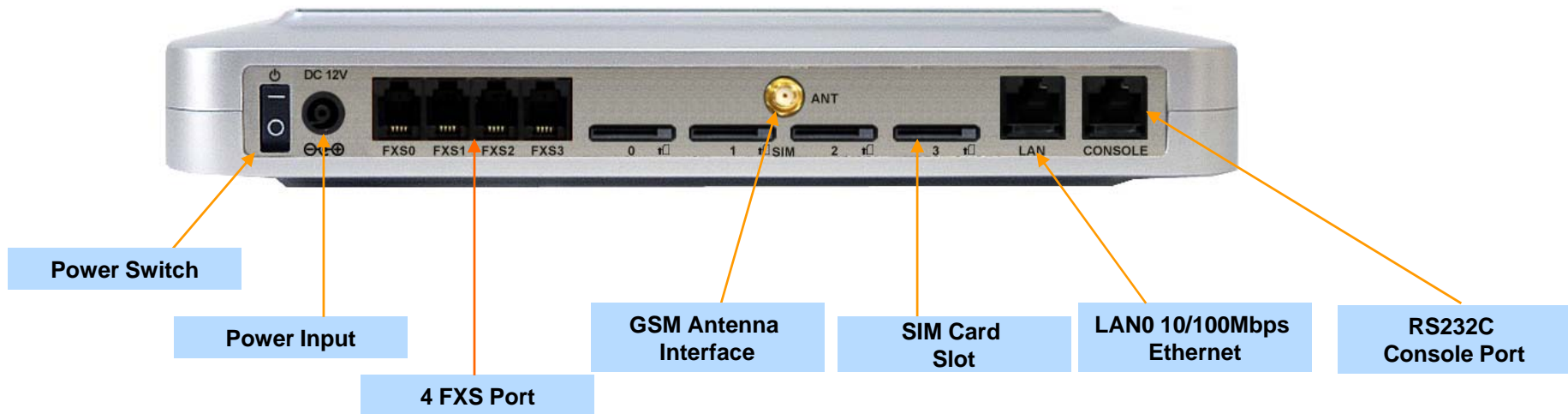
# Back Side View

RISC  
CPU

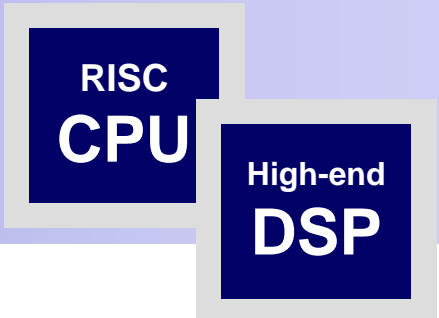
High-end  
DSP

## Back Side View

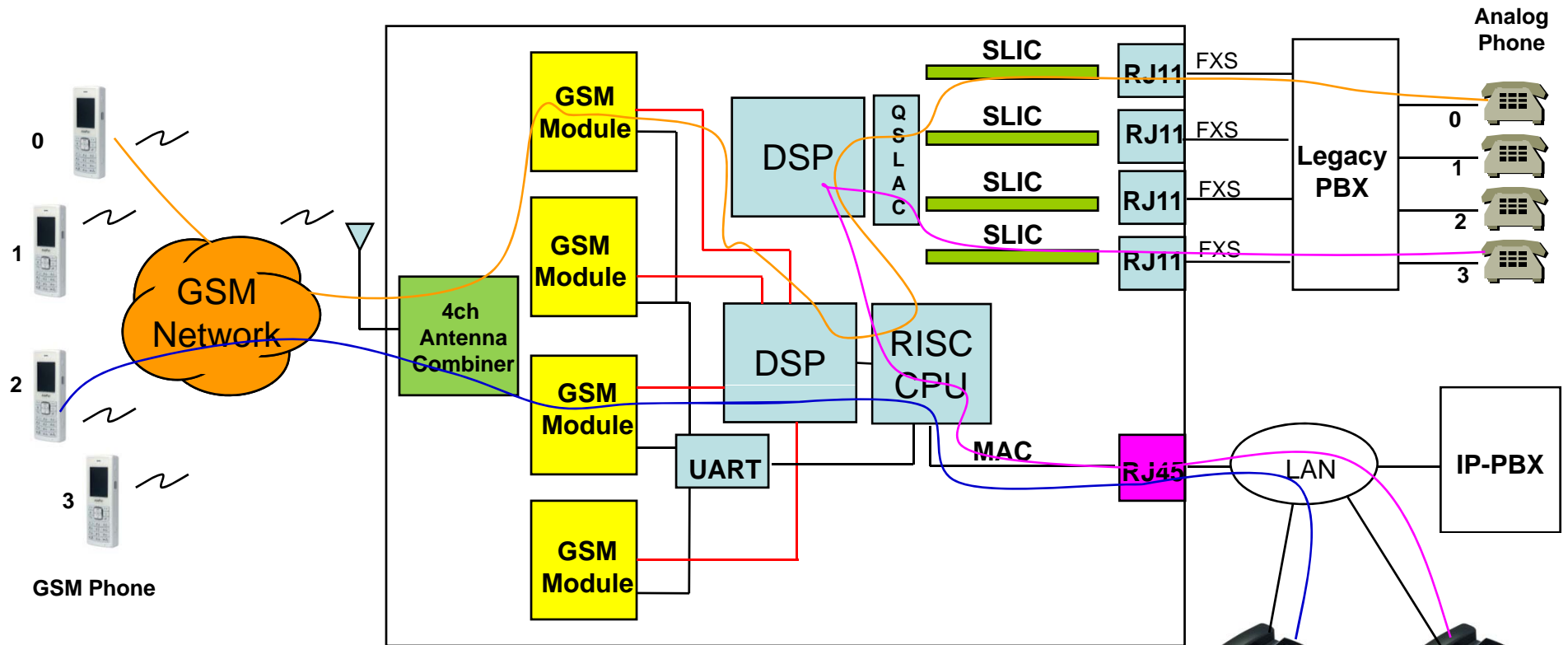
AP-GS1004 Model B



# Internal Hardware Block Diagram

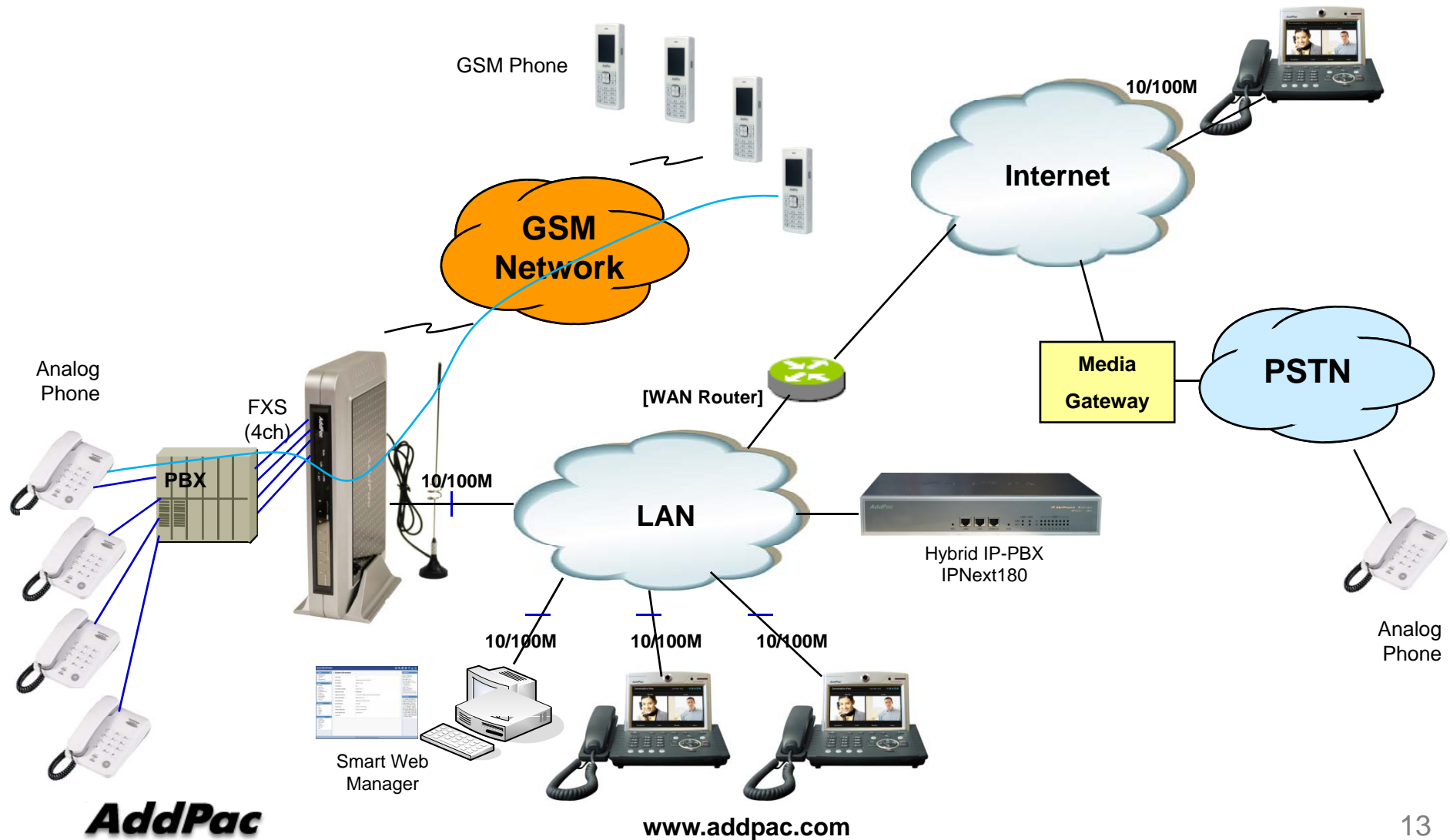


Model B Internal H/W Block Diagram



- Analog Phone to GSM Phone (Analog Phone 0 → GSM Phone 0)
- IP Phone to GSM Phone (IP Phone 0 → GSM Phone 2)
- Analog Phone to IP Phone (Analog Phone 3 → IP Phone 1)

# Network Service Diagram





# AP-GS1004 Model C

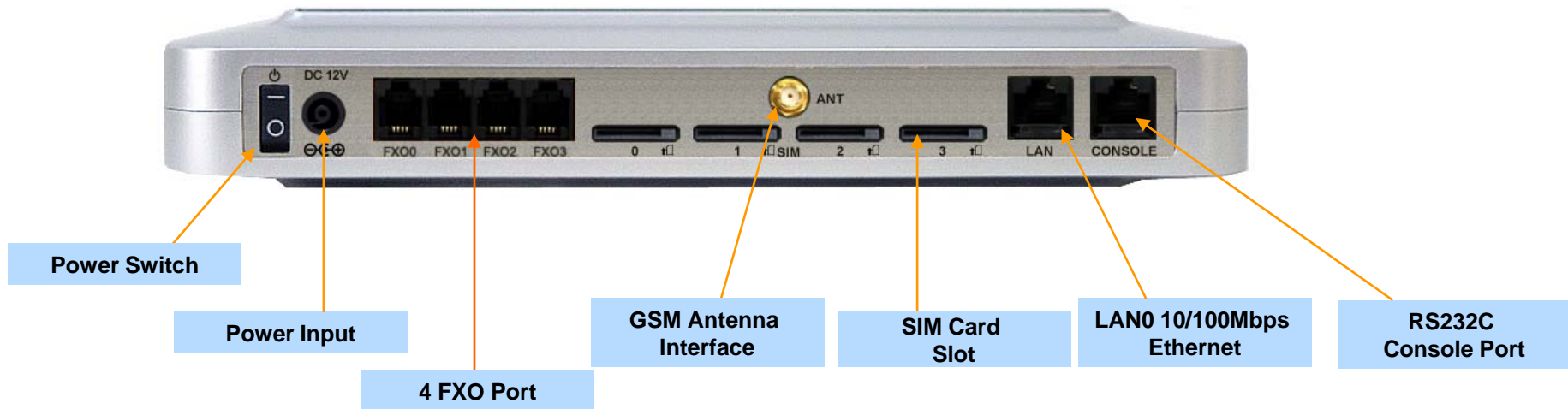
# Back Side View

RISC  
CPU

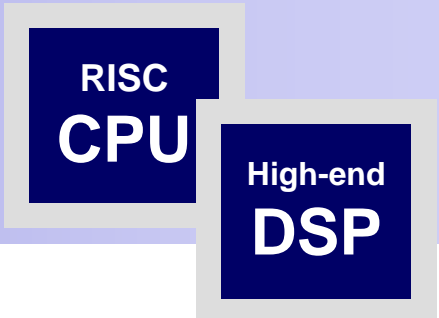
High-end  
DSP

## Back Side View

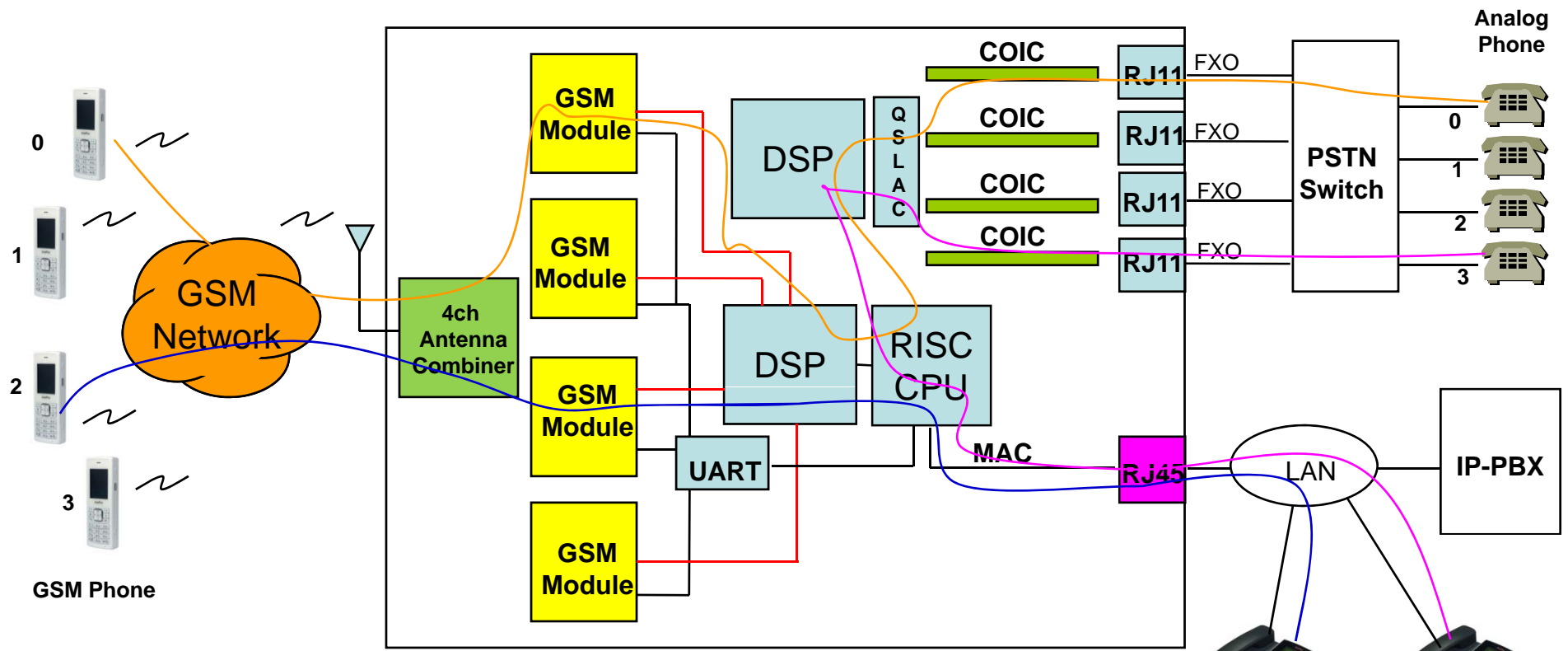
AP-GS1004 Model C



# Internal Hardware Block Diagram



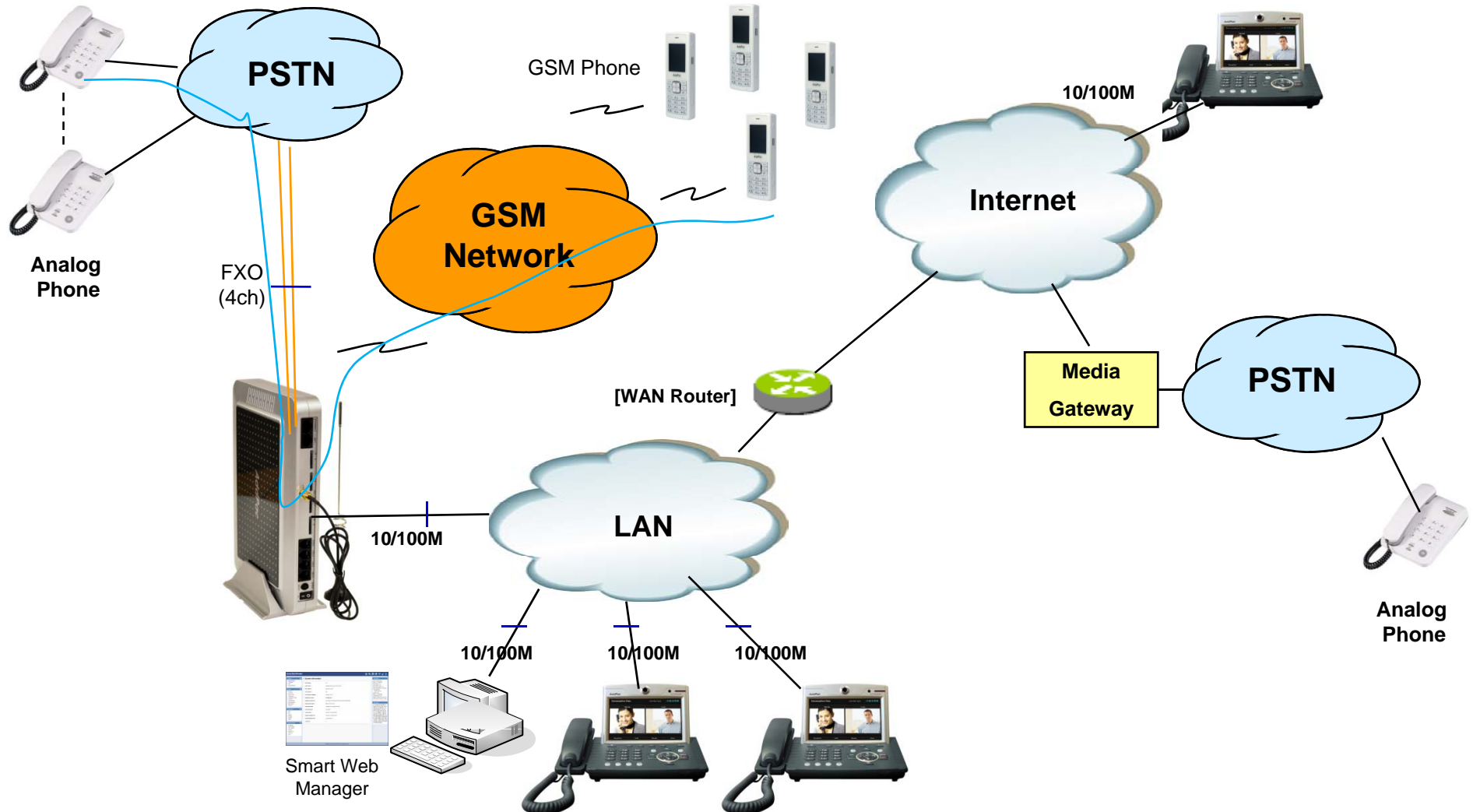
Model C Internal H/W Block Diagram



- GSM Phone to Analog Phone via PSTN (GSM Phone 0 → Analog Phone 0)
- IP Phone to GSM Phone (IP Phone 0 → GSM Phone 2)
- Analog Phone to IP Phone (Analog Phone 3 → IP Phone 1)



# Network Service Diagram



# GSM Gateway Series

# Thank you!

**AddPac Technology Co., Ltd.**  
Sales and Marketing

Phone +82.2.568.3848 (KOREA)

FAX +82.2.568.3847 (KOREA)

E-mail [sales@addpac.com](mailto:sales@addpac.com)