



AP700P™

VoIP Gateway Series

High Performance VoIP Gateway Solution

PSTN Backup



AddPac

AddPac Technology

2010, Sales and Marketing

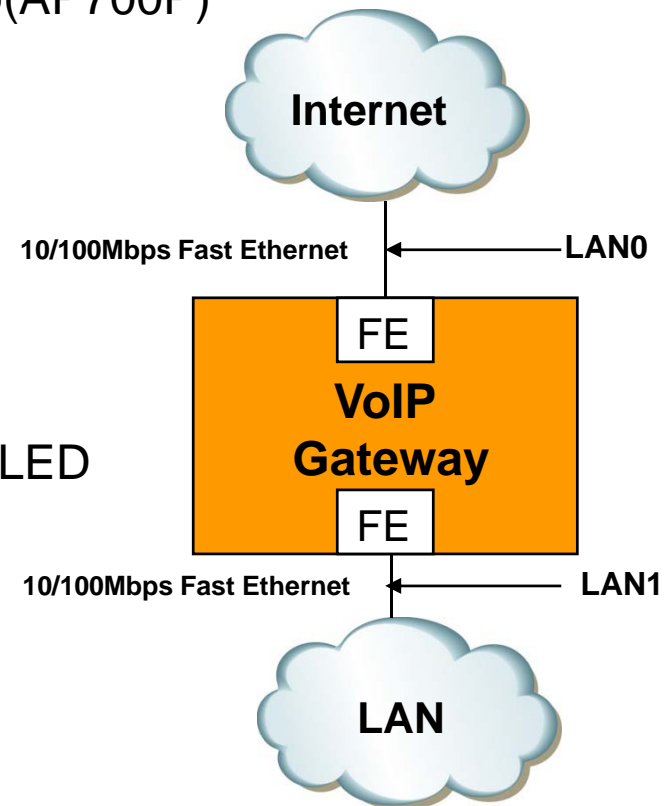
www.addpac.com

Contents

- Hardware Specification
- AP700P Hardware Block Diagram
- PSTN Backup Architecture
- Application

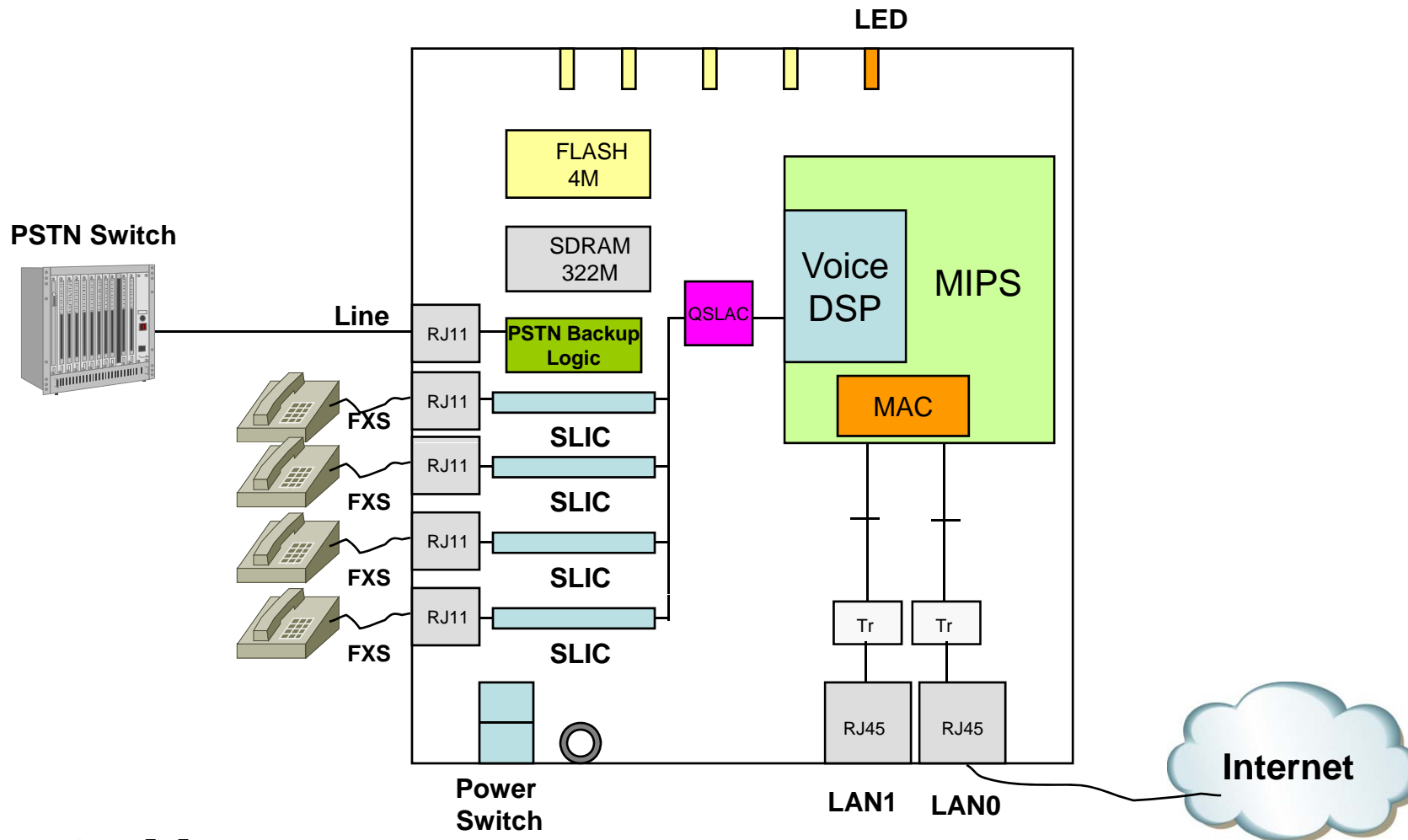
Hardware Specification

- **RISC Microprocessor Computing Power + High End Programmable DSP**
- **VoIP FXS Port**
 - 4-Port FXS Interface with PSTN Backup(AP700P)
- **Network Interface**
 - Two(2) 10/100Mbps Fast Ethernet
- **Power Supply**
 - External Power Adaptor(5V, 3A)
 - Power ON/OFF Switch
- **Status LEDs**
 - Power LED, LAN0/LAN1 LED, FXS Act LED

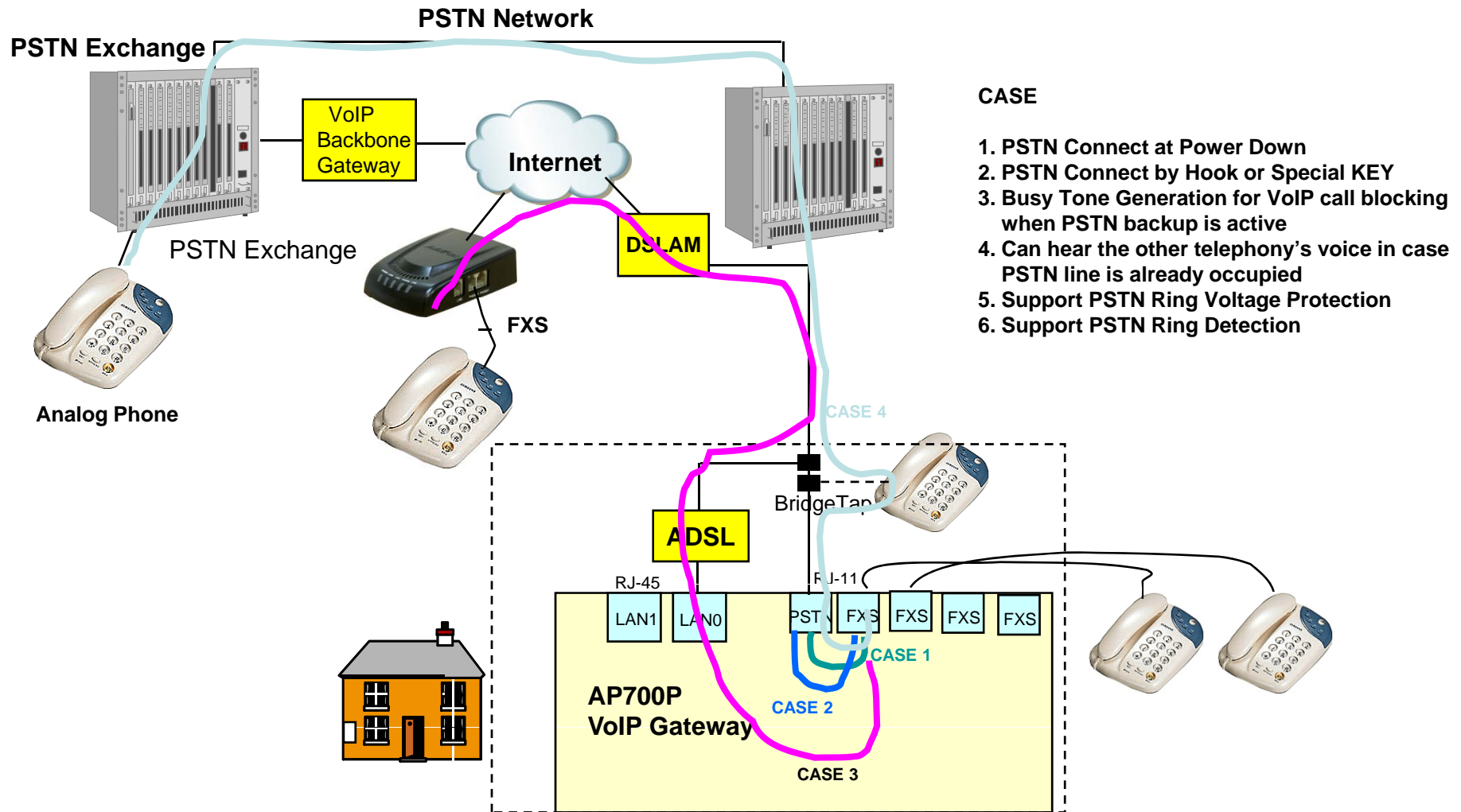


Hardware Logical Diagram (AP700P)

AP700P VoIP Gateway



PSTN Backup Architecture

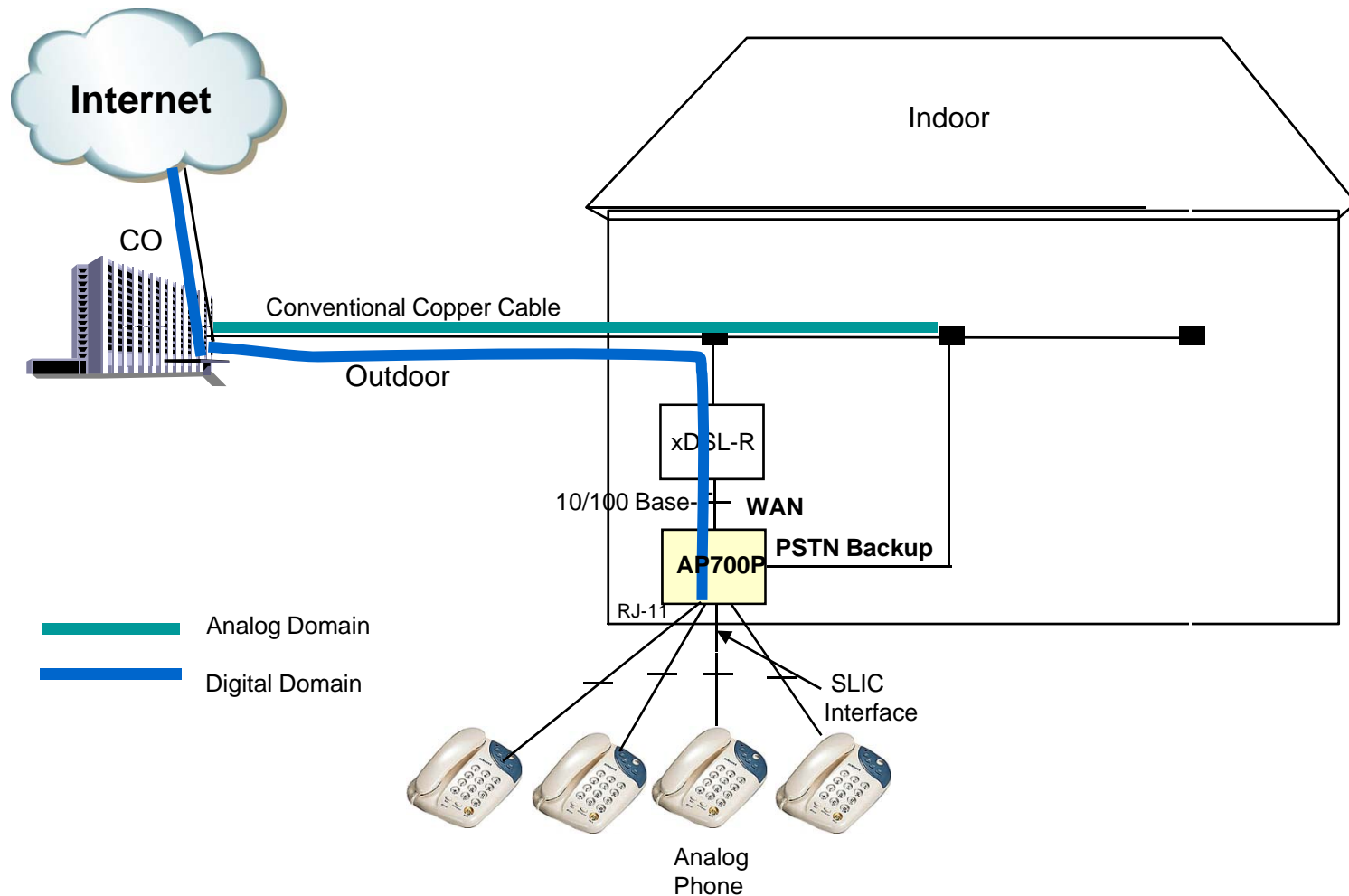


CASE

1. PSTN Connect at Power Down
2. PSTN Connect by Hook or Special KEY
3. Busy Tone Generation for VoIP call blocking when PSTN backup is active
4. Can hear the other telephony's voice in case PSTN line is already occupied
5. Support PSTN Ring Voltage Protection
6. Support PSTN Ring Detection

Application

AP700P VoIP Gateway





Thank you!

AddPac Technology Co., Ltd.
Sales and Marketing

Phone +82.2.568.3848 (KOREA)

FAX +82.2.568.3847 (KOREA)

E-mail sales@addpac.com