



# AP-PSB2000

## IP based Power Switch Box

High Performance Remote IP Power Switch Box

Smart Web Manager Overview



**AddPac**

**AddPac Technology**

Sales and Marketing

# Contents

- Product Overview
- Hardware Specification
- Smart Web Manager Overview

# Product Overview

## AP-PSB2000 IP Power Switching Box for Remote Power On Off Control

- IP based Remote System Power ON/OFF Controller
- LED Light On/Off Control for CCTV Camera at Night Time
- AddPac Integrated Security Management System Solution
- Power Control Port
  - One(1) AC Power Input
  - Three(3) AC Power Output (Manual Power On/Off Switch)
- Network Interface
  - One(1) 10/100Mbps Fast Ethernet Interface
  - One(1) RS232C Interface
- Firmware Upgradeable Architecture(FTP, TFTP)
- Smart Web Manager Support

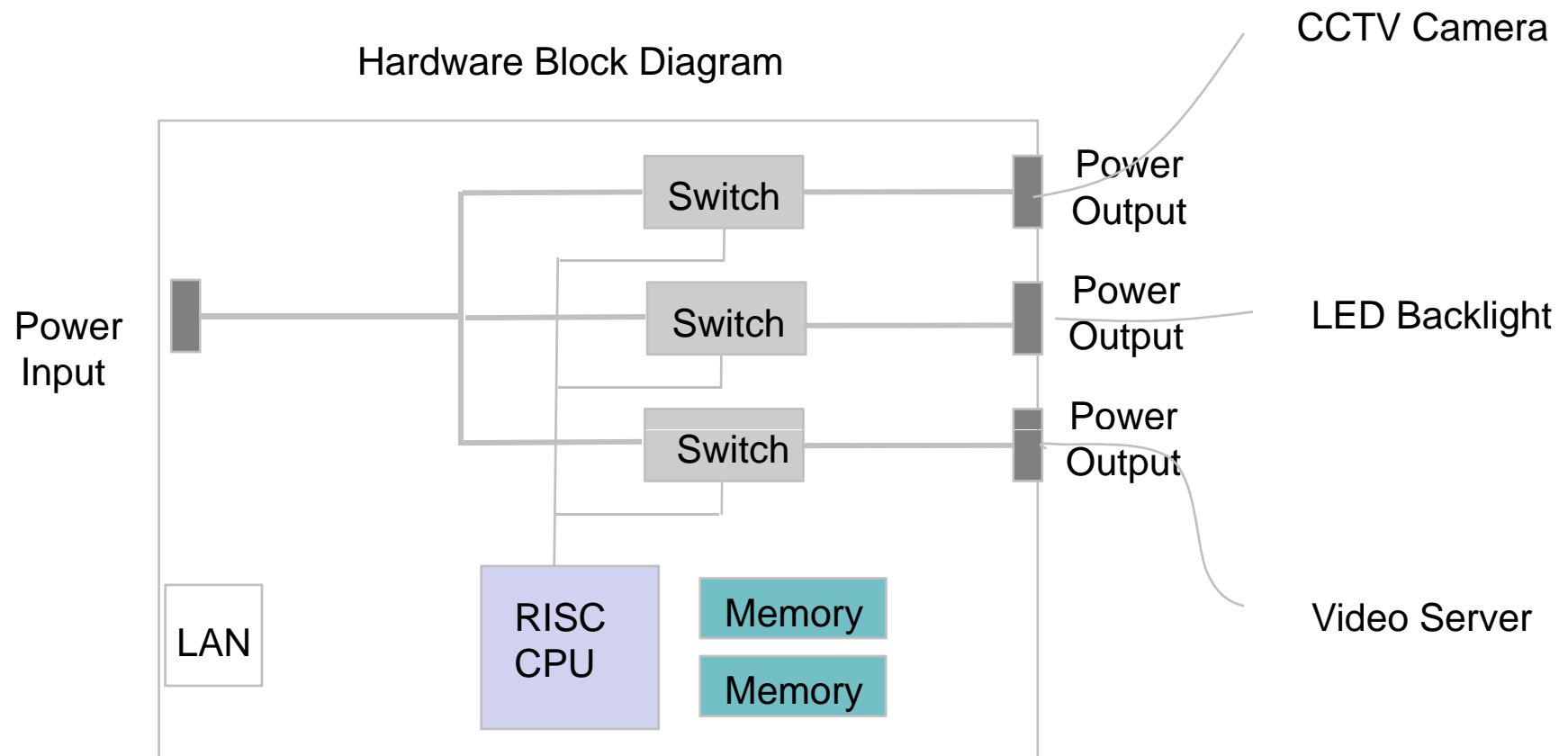
# Hardware Specification

AP-PSB2000 IP Power Switching Box for Remote Power On Off Control

- RISC Microprocessor Computing Power
- Status LED Support
- Power Control Interface
  - One(1) AC Input
  - Three(3) AC Output
- Network Interface
  - One(1) 10/100Mbps Fast Ethernet (RJ45)
  - One(1) RS-232C Interface (RJ45)

# Hardware Specification

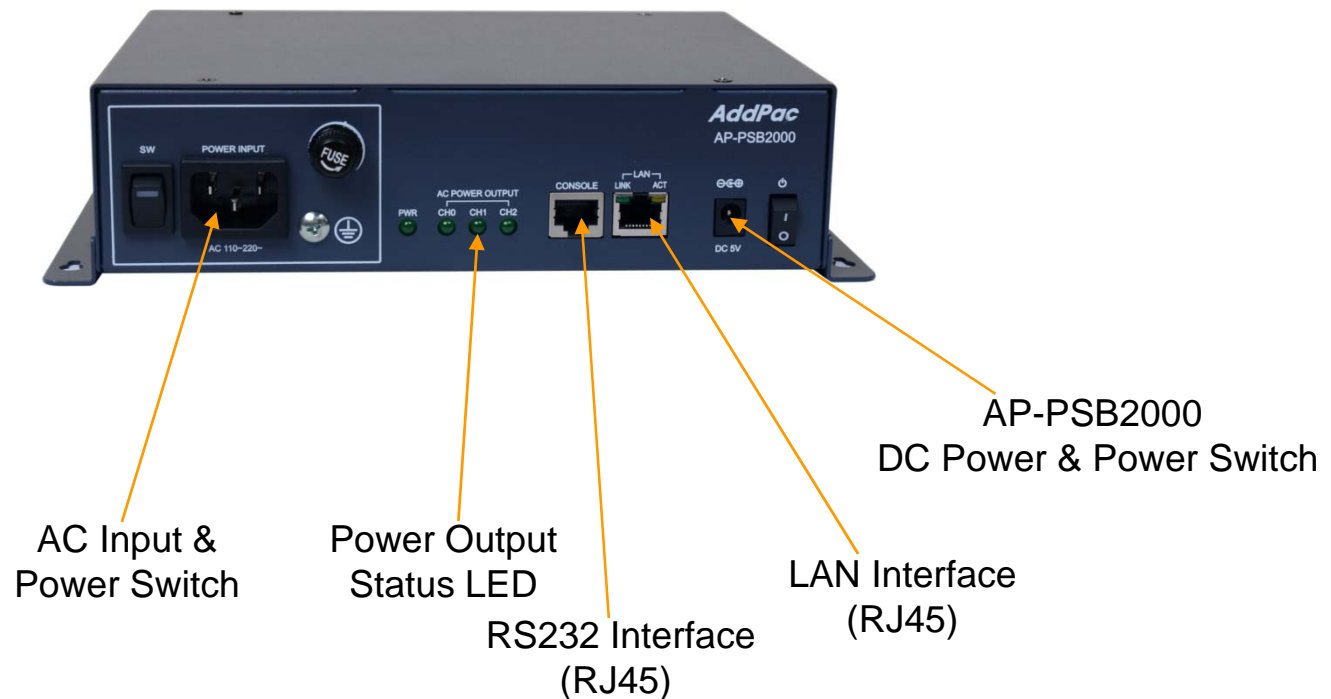
AP-PSB2000 IP Power Switching Box for Remote Power On Off Control



# Hardware Specification

AP-PSB2000 IP Power Switching Box for Power On Off Control

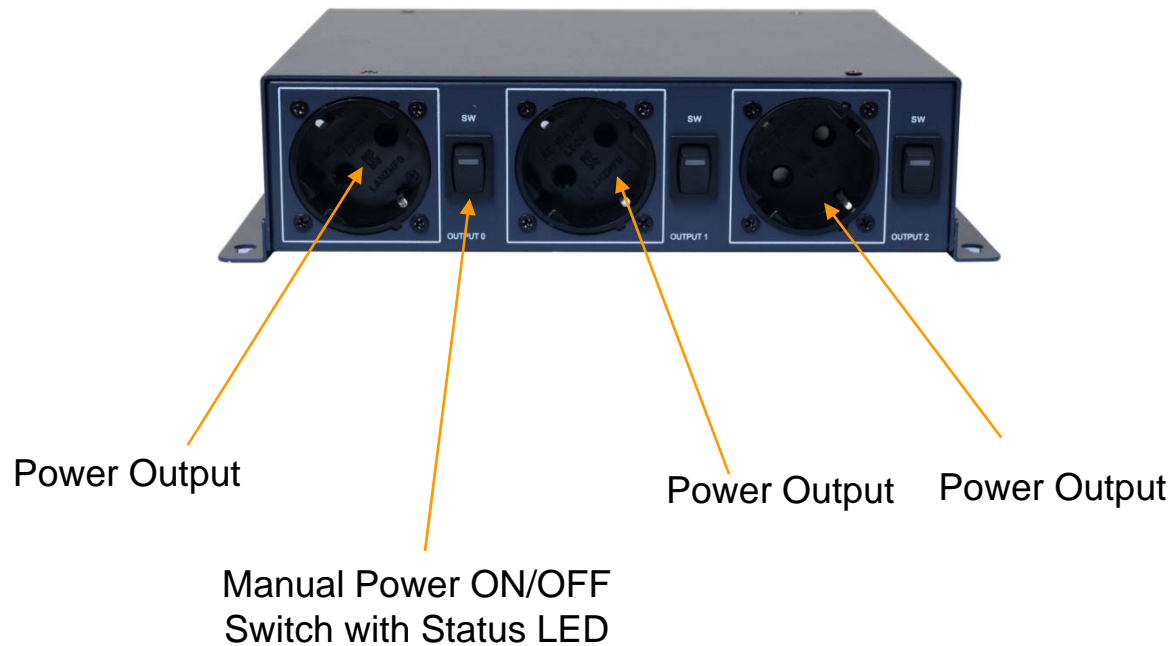
## Front Side



# Hardware Specification

AP-PSB2000 IP Power Switching Box for Power On Off Control

## Rear Side





# Smart Web Manager Overview



# Contents

- System
- Basic
- Advanced
- Miscellaneous

# System : Language

Smart Web Manager  
www.addpac.com

System

- Language
- Network Setup
- System Time
- NTP

Basic

Advanced

Miscellaneous

### Configure Language

한국어

English

Apply

Information

AddPac Tehonology  
Model : PSB2000\_G2  
HW Version : 1.0  
SW Version : 8.50.00T  
Smart Web Version : 8.41.0.3  
Smart Web Build : Sep 4 2018  
Network : Static 172.17.209.120  
Mac Address : 0002-a1ff-fc0d

Description

Choose the basic language to be applied. English is set at default.

©AddPac Tehonology , all rights reserved.

# System : Network Setup

The screenshot displays the 'Smart Web Manager' interface for network configuration. The main content area is titled 'Network Setup' and contains the following fields and options:

- Hostname:** A text input field containing 'PSB'.
- IP Address:** A text input field containing '172.17.209.120' with a small 'A.B.C.D' label to its right.
- Network Mask:** A text input field containing '255.255.0.0' with a small 'A.B.C.D' label to its right.
- Default Router:** A text input field with a small 'A.B.C.D' label to its right.
- DNS Server:** Two text input fields, one labeled 'Primary DNS Server' and one labeled 'Secondary DNS Server'.
- Static IP:** A radio button option that is currently selected.
- DHCP:** A radio button option that is currently unselected.
- WAN Link Control:** A section with two radio buttons: 'Auto' (selected) and 'Manual' (unselected). Below these are two rows of radio buttons:
  - Speed:** Radio buttons for '100' (selected) and '10' (unselected).
  - Duplex:** Radio buttons for 'full' (selected) and 'half' (unselected).

At the bottom left of the main area is a green 'Apply' button with a checkmark icon. On the right side, there is an 'Information' panel with the following details:

- AddPac Tehonology
- Model : PSB2000\_G2
- H/W Version : 1.0
- S/W Version : 8.50.00T
- Smart Web Version : 8.41.0.3
- Smart Web Build : Sep 4 2018
- Network : Static 172.17.209.120
- Mac Address: 0002 a4ff fced

Below the information panel is a 'Description' section with the following text:

This command sets up WAN port. The static IP address is to be assigned from the service provider and you can enter the assinged IP address. For DHCP and PPPoE, the IP address of the device can be changed. MAC Address change can be used only when necessary. It is recommended to use the address created by the user not the address of the device

The footer of the interface contains the text: ©AddPac Tehonology, all rights reserved.

# System : System Time

The screenshot shows the 'System Time' configuration page in the Smart Web Manager interface. The page has a dark blue header with the 'Smart Web Manager' logo and navigation icons. A left sidebar contains a menu with 'System Time' selected. The main content area is titled 'System Time' and contains two sections: 'System Time' with input fields for Month (9), Day (20), Year (2018), Hour (6), Minute (17), and Second (0); and 'Time Zone' with a Name field and dropdown menus for Hour (+) and Minute (0). An 'Apply' button with a green checkmark is located below the form. On the right, an 'Information' panel lists system details like 'AddPac Tehonology', 'Model : PSB2000\_G2', and 'Mac Address: 0002.a4ff.fced'. A footer at the bottom reads '©AddPac Tehonology , all rights reserved.'

# System :NTP

The screenshot shows the 'Smart Web Manager' interface for configuring NTP. The page has a dark blue header with the logo and navigation icons. A left sidebar contains a menu with 'System', 'Basic', 'Advanced', and 'Miscellaneous'. The main content area is titled 'NTP' and features a form with the following fields:

- Enable  Disable
- Primary Server:  (Domain Name or IP Address)
- Secondary Server:  (Domain Name or IP Address)
- Interval:  (1-72 hours)
- Hours Offset:  :  (-23-23 hours) ; (0-60 minute)

Below the form is a green 'Apply' button. On the right side, there is an 'Information' panel with the following details:

- AddPac Tehonology
- Model : PSB2000\_G2
- H/W Version : 1.0
- S/W Version : 8.50.00T
- Smart Web Version : 8.41.0.3
- Smart Web Build : Sep 4 2018
- Network : Static 172.17.209.120
- Mac Address: 0002.a4ff.fced

Below the information is a 'Description' panel with the text: 'Set up Time Saver of Gateway'. At the bottom of the page, there is a copyright notice: '©AddPac Tehonology , all rights reserved.'

# Basic : PSB Setup

The screenshot shows the 'PSB Setup' page in the Smart Web Manager. The interface includes a left sidebar with navigation options: System, Basic (selected), PSB (sub-selected), Advanced, and Miscellaneous. The main content area features a table for configuring ports and an 'Apply' button. The table has columns for Port, Description, Current State, and New State. The 'Current State' column shows 'Off' for all three ports, and the 'New State' column shows a dropdown menu with 'off' selected. The right sidebar contains an 'Information' section with device details and a 'Description' section.

Port	Description	Current State	New State
1	<input type="text"/>	Off	off ▼
2	<input type="text"/>	Off	off ▼
3	<input type="text"/>	Off	off ▼

Apply

Information

AddPac Tehonology  
Model : PSB2000\_G2  
H/W Version : 1.0  
S/W Version : 8.50.00T  
Smart Web Version : 8.41.0.3  
Smart Web Build : Sep 4 2018  
Network : Static 172.17.209.120  
Mac Address: 0002 a4ff fced

Description

©AddPac Tehonology , all rights reserved.

# Advanced : Service

**Smart Web Manager**  
www.addpac.com

**System** | **Basic** | **Advanced** | **Service** | **Miscellaneous**

### Service

**Applicaton Services**

<input checked="" type="checkbox"/> Enable Telnet	Server Port	23	(default 23, 1-65535)
<input checked="" type="checkbox"/> Enable HTTP	Server Port	80	(default 80, 1-65535)
<input type="checkbox"/> Enable FTP	Control Port	21	(default 21, 1-65535)
	Data Port	20	(default 20, 1-65535)

©AddPac Tehonology , all rights reserved.

**Information**  
AddPac Tehonology  
Model : PSB2000\_G2  
H/W Version : 1.0  
S/W Version : 8.50.00T  
Smart Web Version : 8.41.0.3  
Smart Web Build : Sep 4 2018  
Network : Static 172.17.209.120  
Mac Address: 0002.a4ff.fced

**Description**  
Enable or disable Telnet, HTTP, FTP and specify the access port and Call Hold/ Transfer and Timer .

# Miscellaneous : Ping

The screenshot shows the 'Smart Web Manager' interface for the 'Ping' utility. The top navigation bar includes the 'Smart Web Manager' logo and the URL 'www.addpac.com'. A sidebar on the left contains menu items for 'System', 'Basic', 'Advanced', and 'Miscellaneous', with 'Ping' selected under 'Miscellaneous'. The main content area is titled 'Ping' and features a 'Host address' input field and a 'Start' button. On the right, an 'Information' panel displays device details: AddPac Tehonology, Model: PSB2000\_G2, HW Version: 1.0, SW Version: 8.50.00T, Smart Web Version: 8.41.0.3, Smart Web Build: Sep 4 2018, Network: Static 172.17.209.120, and Mac Address: 0002.a4ff.fced. A 'Description' panel below it explains the utility's purpose: 'Verify the outgoing Ping to the outside from the device by entering IP address and URL. Verify network status of the location in where the terminal is located.' The footer contains the copyright notice '©AddPac Tehonology, all rights reserved.'



# LMS VoIP Gateway Series

# Thank you!

**AddPac Technology Co., Ltd.**  
Sales and Marketing

Phone +82.2.568.3848 (KOREA)

FAX +82.2.568.3847 (KOREA)

E-mail [sales@addpac.com](mailto:sales@addpac.com)