

AP-PSB8000 Octal (8) Channel IP based Remote Power Switch Box

High Performance IP Power Switch Box for Device Remote Power On/Off Control

Product Overview



AddPac

AddPac Technology

Sales and Marketing

www.addpac.com

Contents

- Product Overview
- Hardware Specification
- Network Diagram
- Ordering Information



Product Overview

AP-PSB8000 IP Power Switching Box for Remote Power On/Off Control

- IP based Remote Device Power ON/OFF Controller
- Octal(8) Channel Power Outlet
- Remote CCTV Backlight Control Solution for Unmanned Security Zone
- AddPac Integrated Security Management System Solution
- Power Control Port
 - One(1) AC Power Input
 - Octal(8) AC Power Output
- Network Interface
 - Two(2) 10/100Mbps Fast Ethernet Interface
 - One(1) RS232C Interface
- Firmware Upgradeable Architecture(FTP, TFTP)
- Smart Web Manager Support

Hardware Specification

AP-PSB8000 IP Power Switching Box for Remote Power On/Off Control

A square logo with a dark blue background and white text. The text reads "RISC" on the top line and "CPU" on the bottom line in a bold, sans-serif font.

RISC
CPU

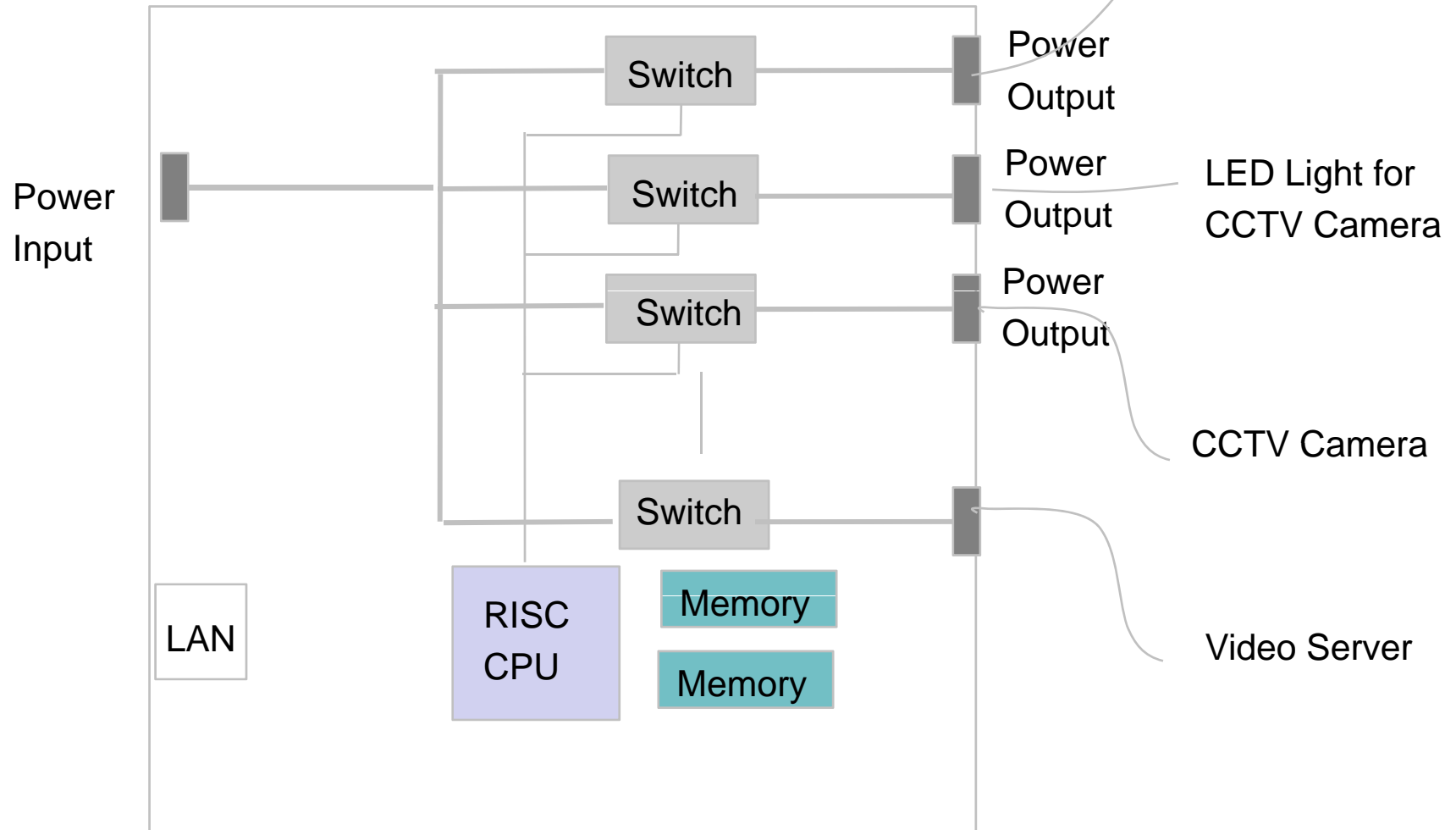
- RISC Microprocessor Computing Power
- Status LED Support
- Power Control Interface
 - One(1) AC Input
 - Octal(8) AC Output
- Network Interface
 - Two(2) 10/100Mbps Fast Ethernet (RJ45)
 - One(1) RS-232C Interface (RJ45)

Hardware Specification

AP-PSB8000 IP Power Switching Box for Remote Power On/Off Control



Hardware Block Diagram



Hardware Specification

RISC
CPU

AP-PSB8000 IP Power Switching Box for Remote Power On/Off Control

Front Side



RS232 Interface
(RJ45)

LAN Interface
(RJ45)

LAN Interface
(RJ45)

Manual Power ON/OFF
Switch with Status LED

Graphic LCD

AddPac

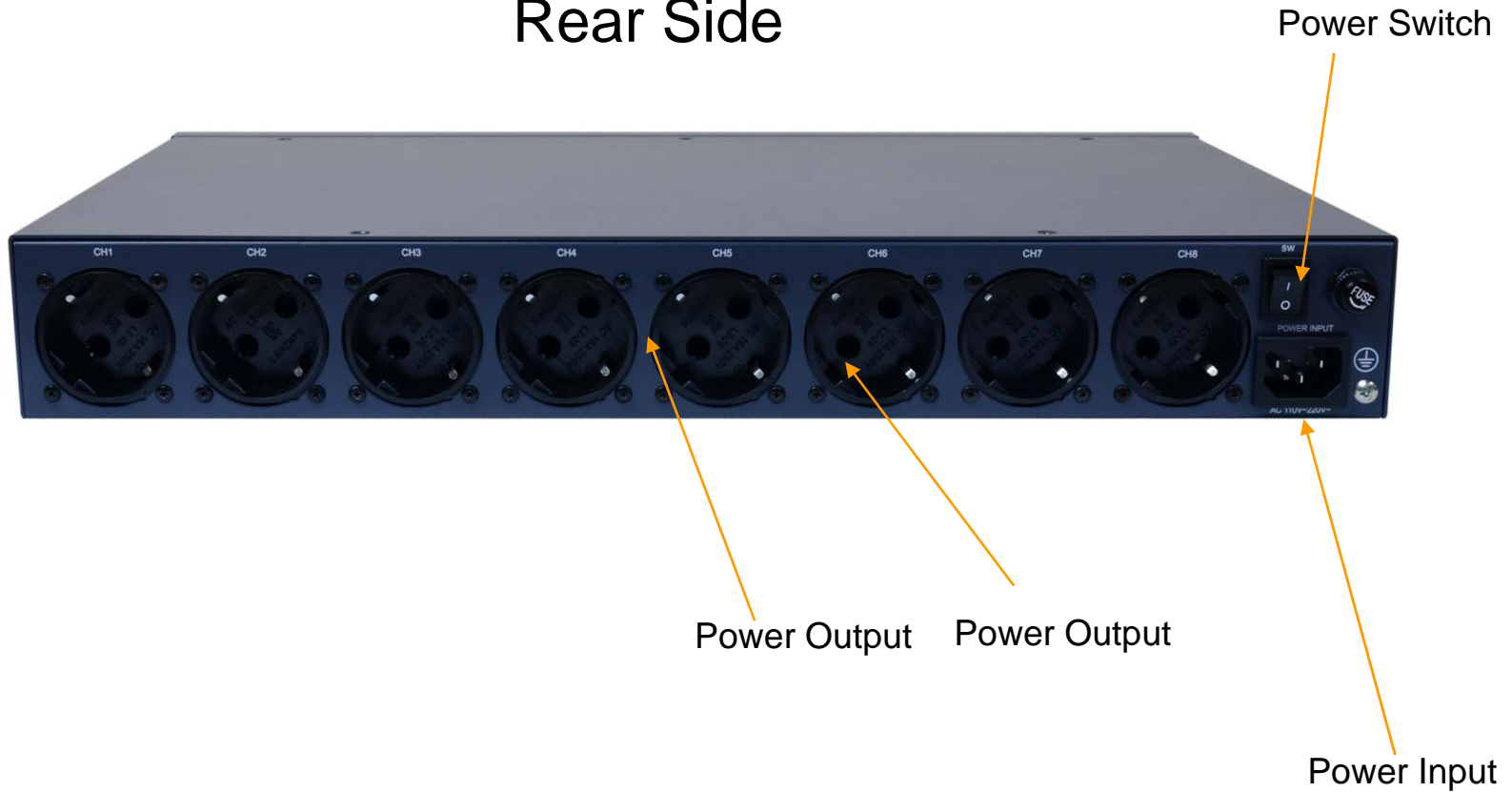
www.addpac.com

Hardware Specification

AP-PSB8000 IP Power Switching Box for Remote Power On/Off Control

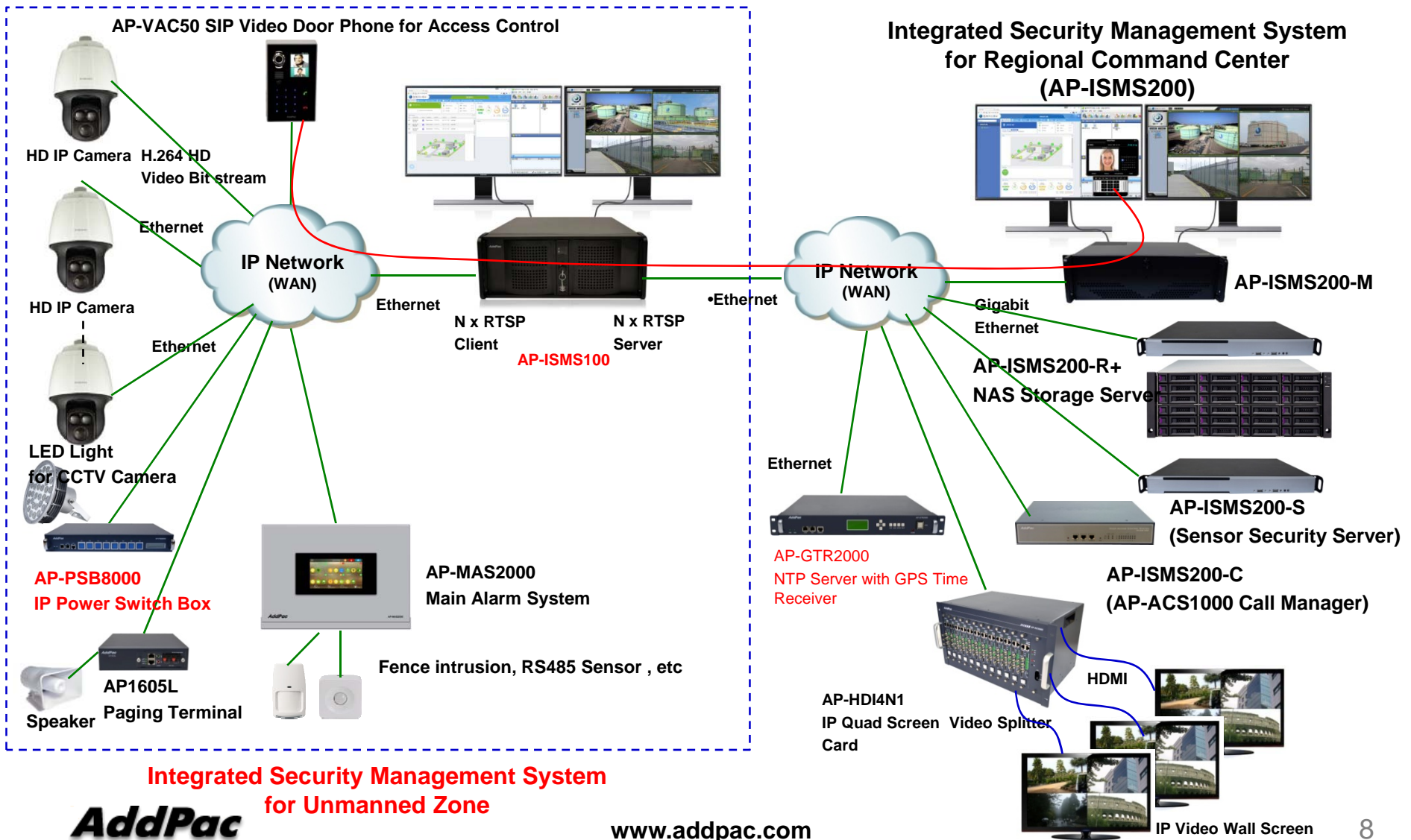


Rear Side



Network Diagram

AP-PSB8000 IP Power Switching Box for Remote Power On/Off Control



Ordering Information

- **AP-PSB8000 IP based Remote Power Switch Box**
 - AP-PSB8000 Main Body
 - RISC Microprocessor
 - One(1) AC Power Input, Octal(8) AC Power Output
 - Two(2) 10/100Mbps Fast Ethernet, RS232C Console Port
 - Including Network Cable Set & Power Supply, etc.
- **Built-in APOS Internetworking Software for AP-PSB8000**
- **Including 1 Year Hardware Warranty**
- **Product Documents**
 - Install and Operation Guide (PDF)
- **Pricing**
 - AddPac Technology Regional Sales Manager
 - Authorized Sales and Marketing Representatives
 - Please Contact www.addpac.com



Thank you!

AddPac Technology Co., Ltd.
Sales and Marketing

Phone +82.2.568.3848 (KOREA)

FAX +82.2.568.3847 (KOREA)

E-mail sales@addpac.com