

# AP601

## SIP Paging Terminal

High Performance SIP based Paging Terminal

Peer to Peer SIP Paging Service



# **AddPac**

**AddPac Technology**

Sales and Marketing

[www.addpac.com](http://www.addpac.com)

# Contents

- Product Overview
- Hardware Specification
- SIP Paging Network Diagram
- Paging Group Signal Flow
- Local Paging Service
- Peer to Peer SIP Paging Service

# Product Overview

## AP601 SIP Paging Terminal

- SIP based Voice Broadcasting Terminal Solution
- Hardware Architecture for Voice Broadcasting Terminal Service
- Remote Broadcasting Service at terminal side
- High Quality Voice Codec Support (High Quality Codec, G.711, G.726, etc)
- RTP/UDP Protocol Support
- Unicast and Multicast Broadcasting Scheme
- SPMS (SIP Paging Management Software) Support
- One(1) channel SPK/MIC Port
- Volume Control Button Support (Up, Down)
- Digital AMP. Built-in (40Watt at 8ohm Speaker)
- High-Quality Audio/Voice Service
- Firmware Upgradeable Architecture
- Broadcasting Solution with Outstanding Network Service Capability
- External Power Supply

# Hardware Specification

AP601 SIP Paging Terminal

RISC  
CPU

High-end  
DSP

- RISC Microprocessor Computing Power
- High-end Programmable DSP Hardware Architecture
- High Quality Audio Encoding/Decoding Service
- One(1) 10/100Mbps Fast Ethernet (RJ45)
- One(1) RS-232C Interface (RJ45)
- SPK/MIC Audio Interface Support
- Volume Control Button Support (Up, Down)
- External Power Supply Support
- Option : 30Watt Digital AMP. Built-in (AP601A)

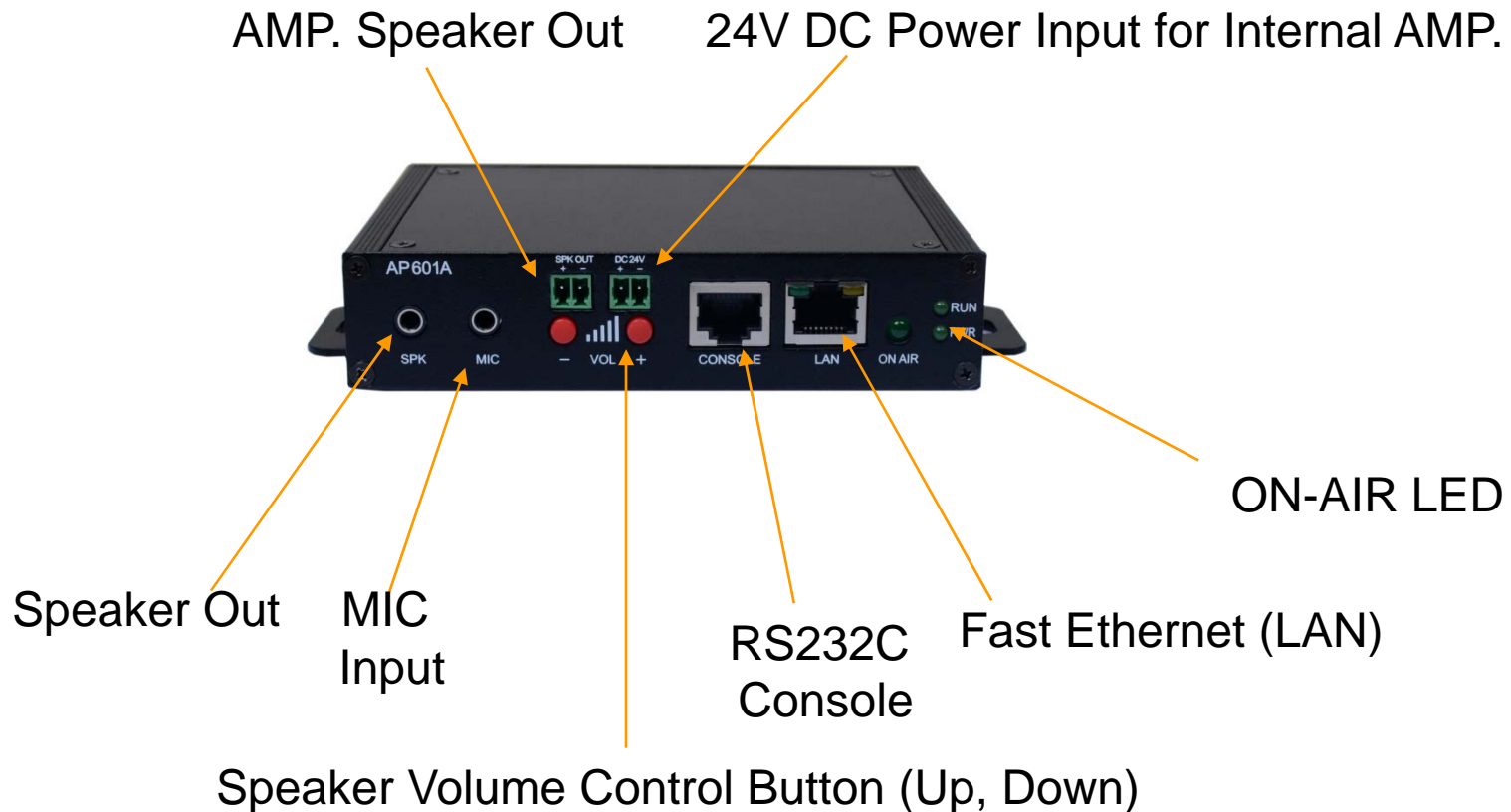
# Hardware Specification

AP601 SIP Paging Terminal

RISC  
CPU

High-end  
DSP

## Front Side



# Hardware Specification

AP601 SIP Paging Terminal

RISC  
CPU

High-end  
DSP

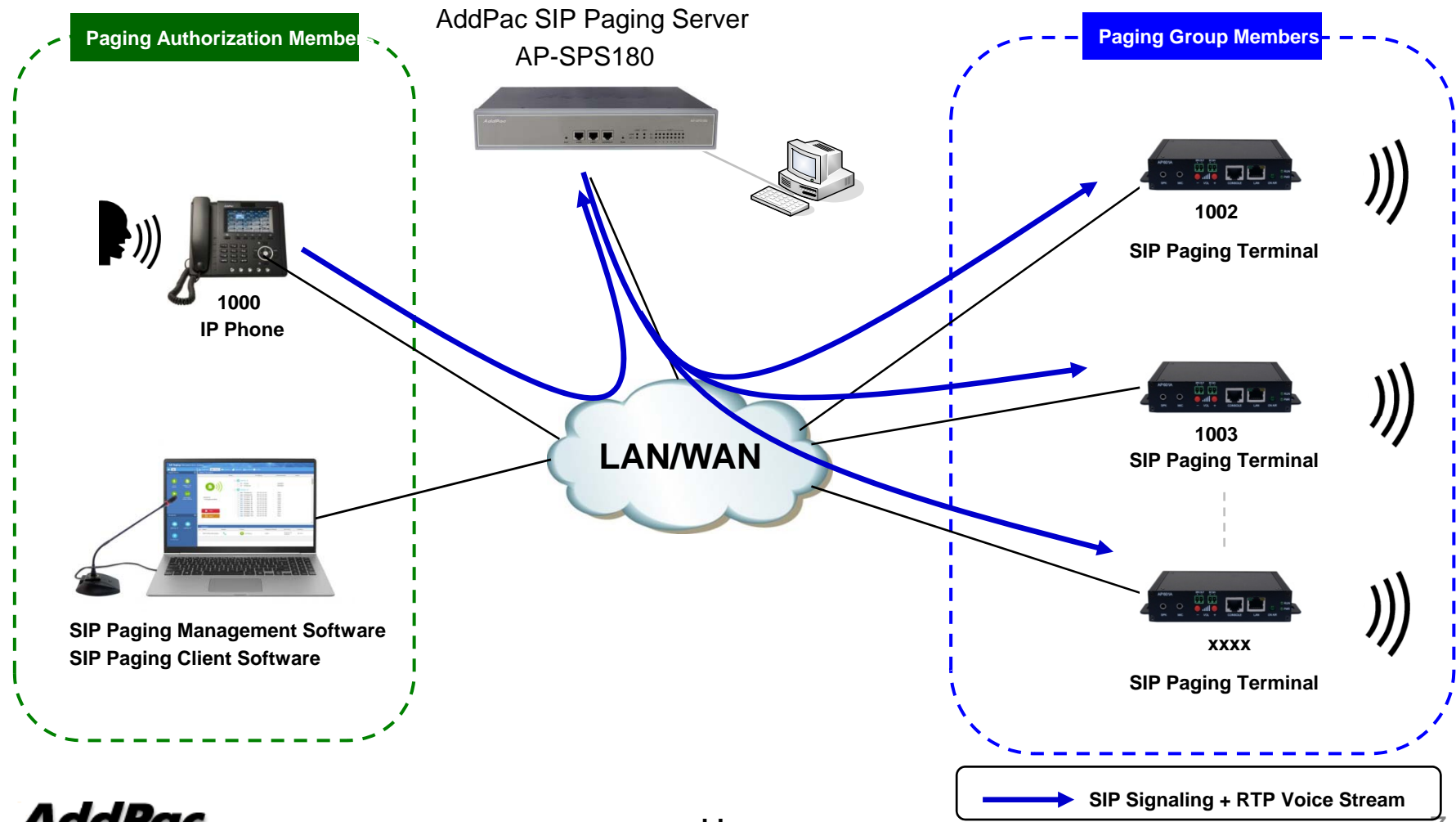
## Back Side



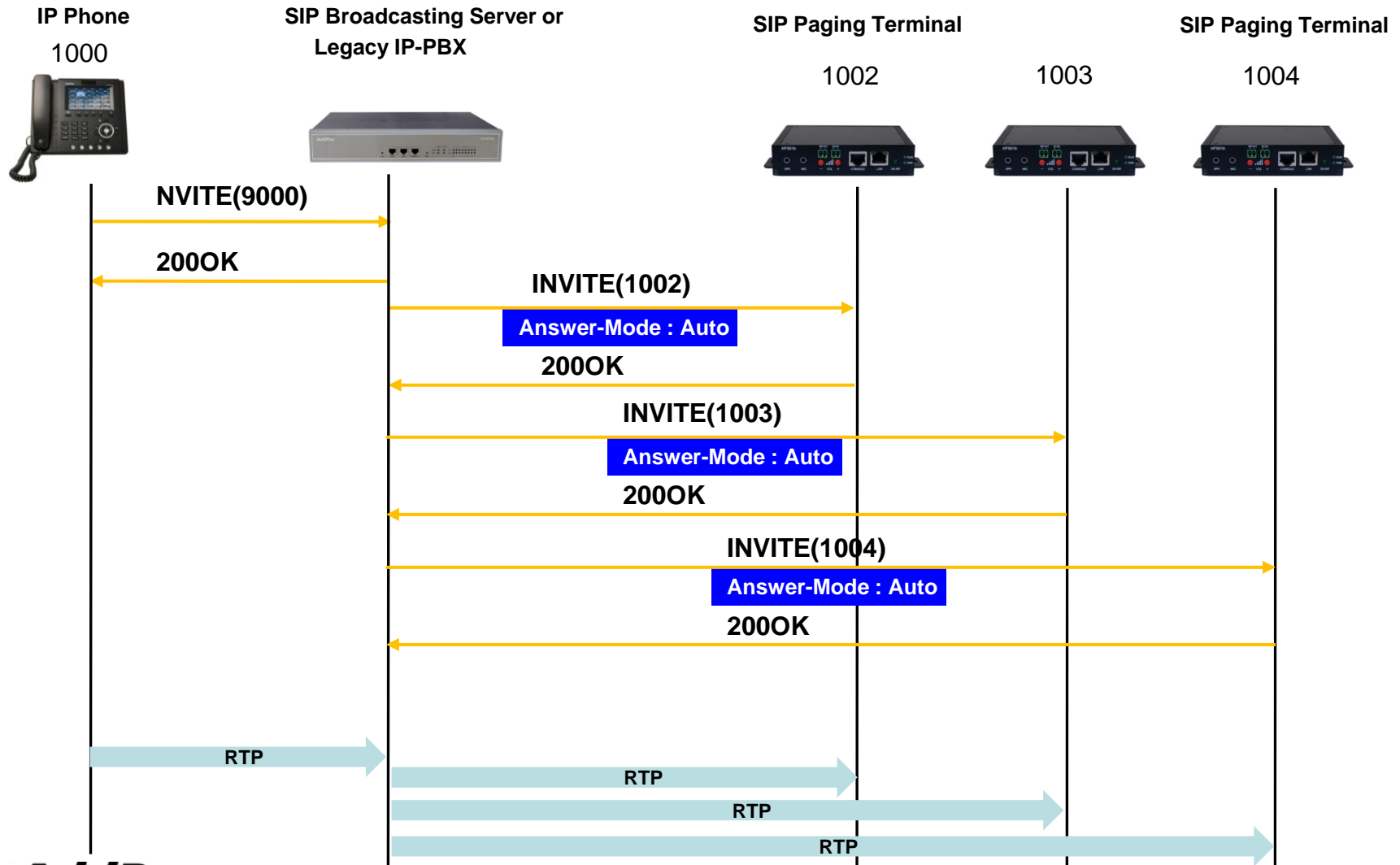
External Power  
Supply Adaptor

Power Switch

# SIP Paging Network Diagram



# Paging Group Signaling Flow

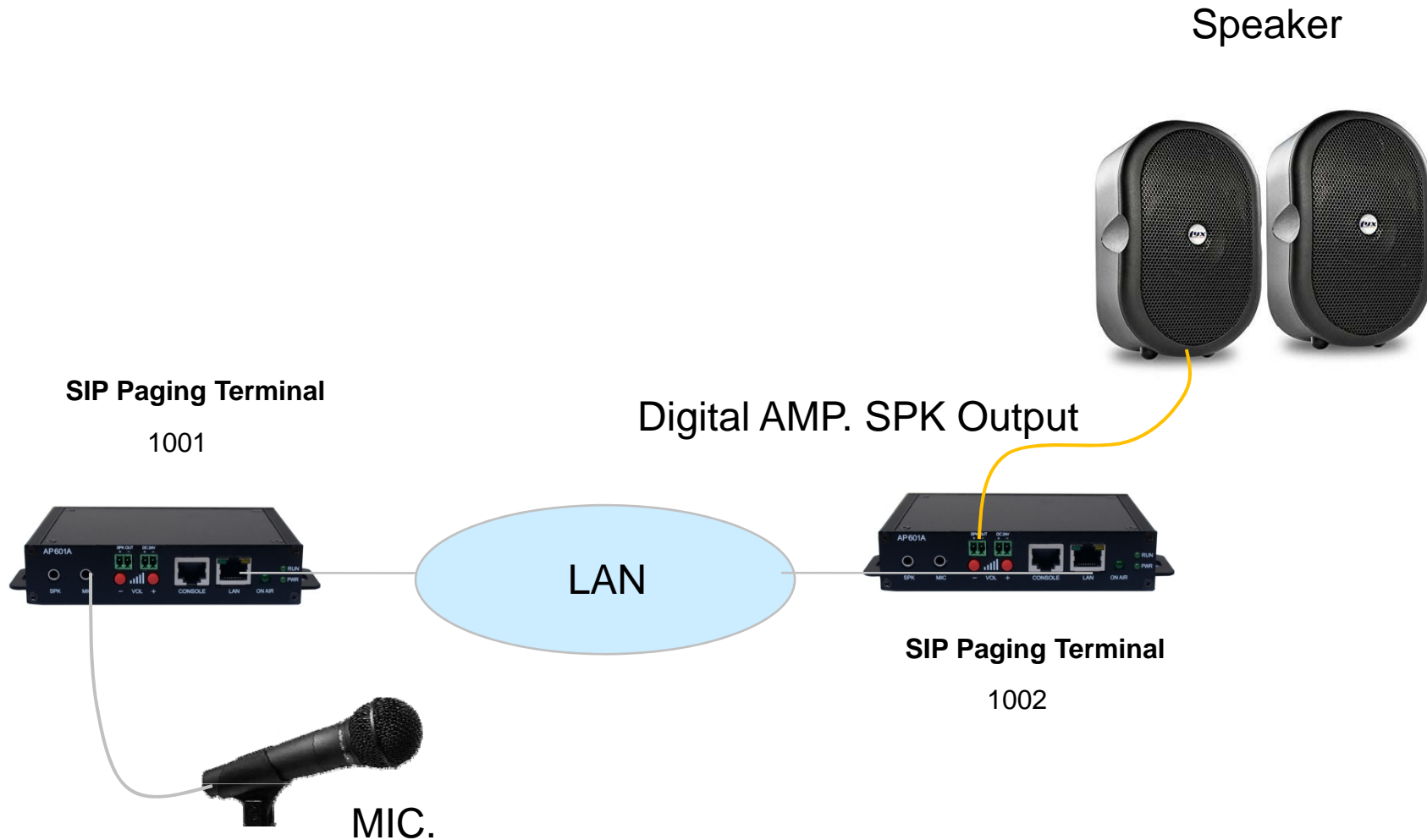




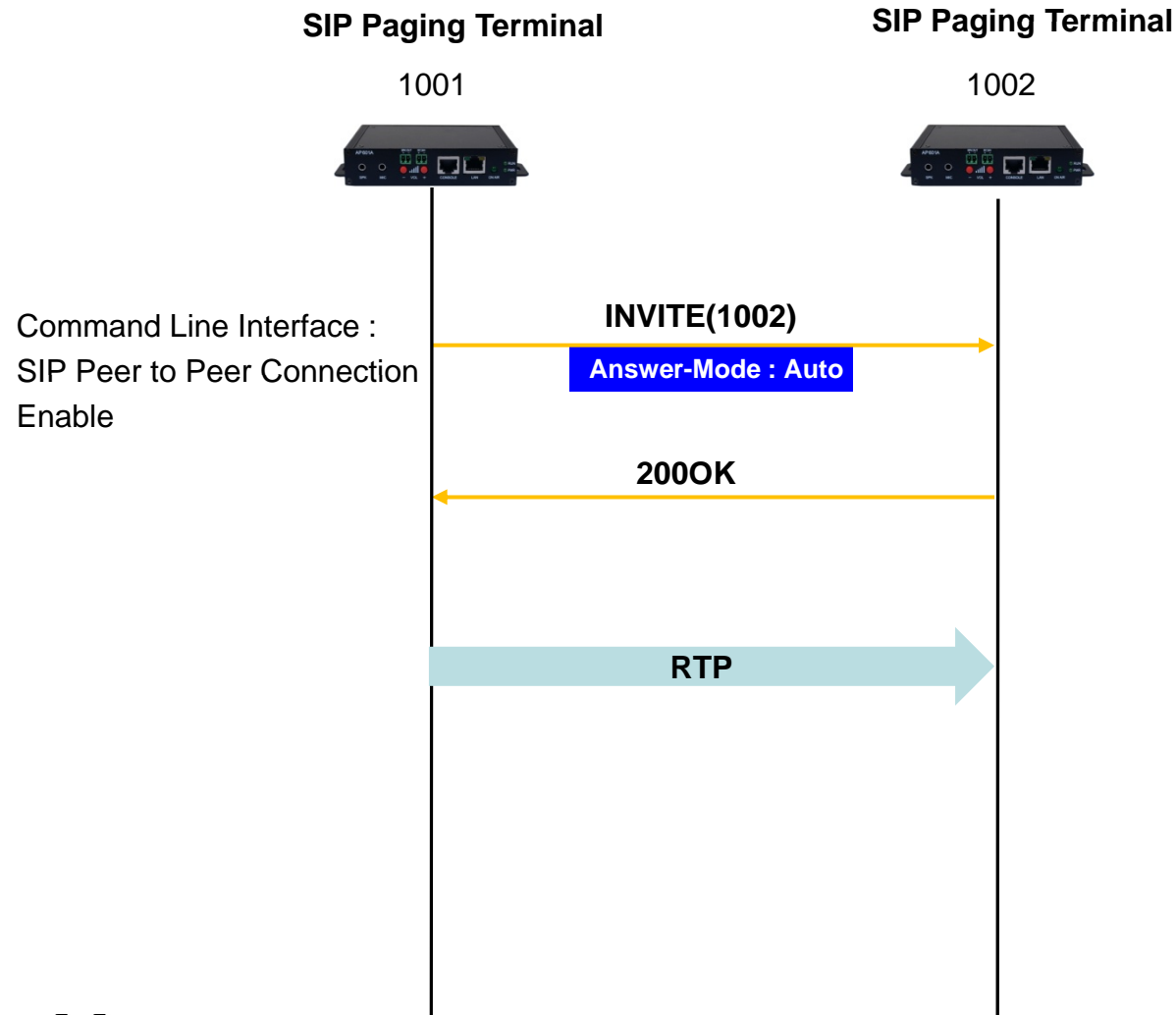
# Local Paging Service



# Peer to Peer SIP Paging Service



# Peer to Peer SIP Paging Service





# Thank you!

**AddPac Technology Co., Ltd.**  
Sales and Marketing

Phone +82.2.568.3848 (KOREA)

FAX +82.2.568.3847 (KOREA)

E-mail [sales@addpac.com](mailto:sales@addpac.com)