

AP-GTR1000

GPS based Embedded NTP Server

Hardware Design Concept



AddPac

AddPac Technology

Sales and Marketing

Contents

- Product Overview
- Hardware Specification
- Hardware Block Diagram
- SNTP (Simple Network Time Protocol) Server Diagram



Product Overview

AP-GTR1000 IP based GPS Time Receiver Terminal

- High Performance GPS Time Receiver Terminal Solution
- IP based GPS Time Receiver (Location Free, etc)
- NTP (Network Time Protocol) Sever Solution
- Dual RS232 Port for GPS Time Information Transmission
- LCD Display for GPS Time Information
- External Antenna Interface Support
- Various Antenna Support for GPS Signal
- Blue LAMP for Device Status
- Smart Web Manager for System Configuration & Management
- Window, Linux Simple Socket API Program Support
- Firmware Upgradeable Architecture
- Broadcasting Solution with Outstanding Network Service Capability

Hardware Specification

AP-GTR1000 GPS based Embedded NTP Server

RISC
CPU

High-end
GPS

- RISC Microprocessor Computing Power
- High-end GPS Module Hardware Architecture
- One(1) Module Slot for GPS Module
- LCD Display at Front Side
- Blue LAMP
- One(1) 10/100Mbps Fast Ethernet Interface
- Dual(2) DB-9 RS232C Interface
- Internal Power Supply
- Rack Mount Bracket (Option)
- GPS Antenna (Option)
- Option Module : AP-GPS-RS232
 - Two(2) DB-9 RS232C Interface Port
 - GPS Antenna Interface Port

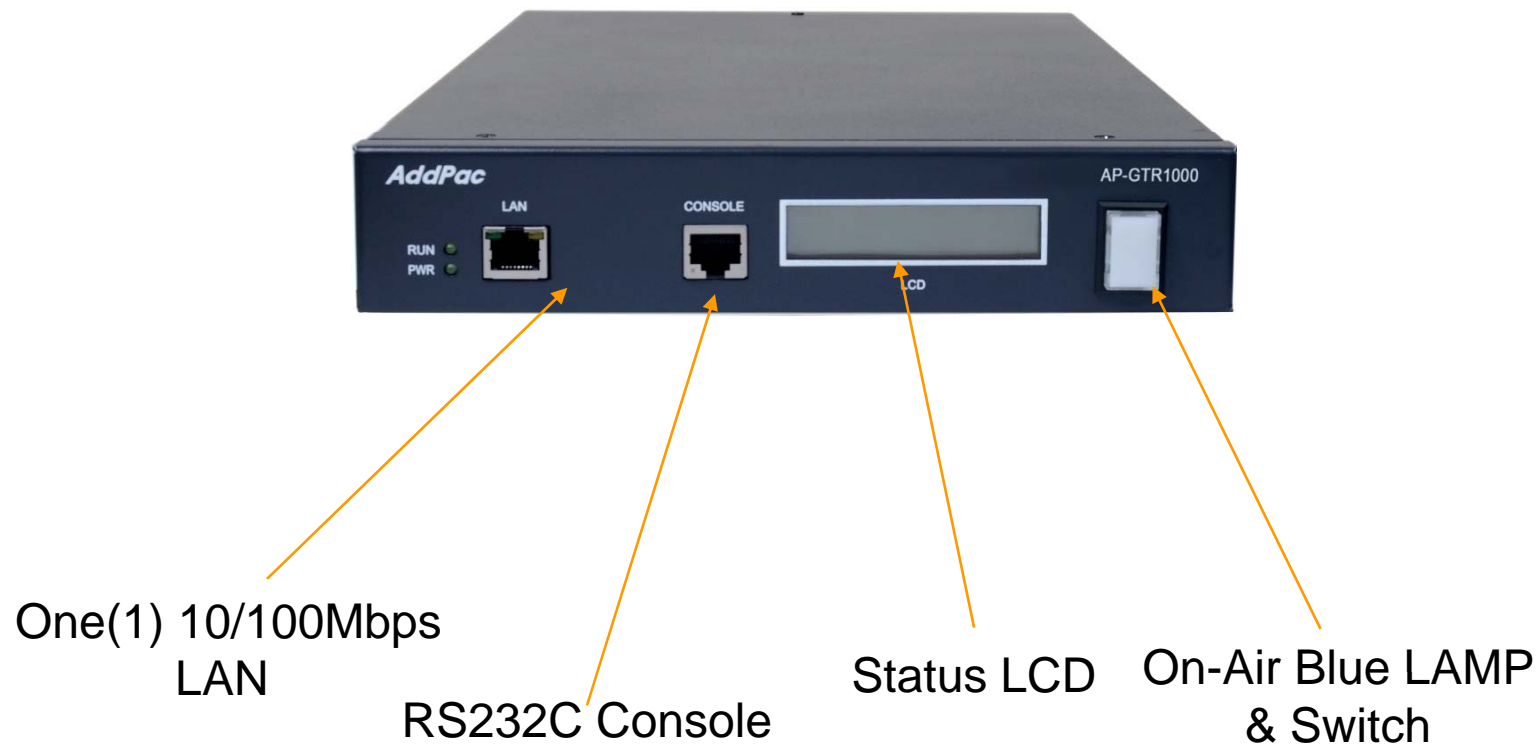
Hardware Specification

AP-GTR1000 GPS based Embedded NTP Server

RISC
CPU

High-end
GPS

Front Side



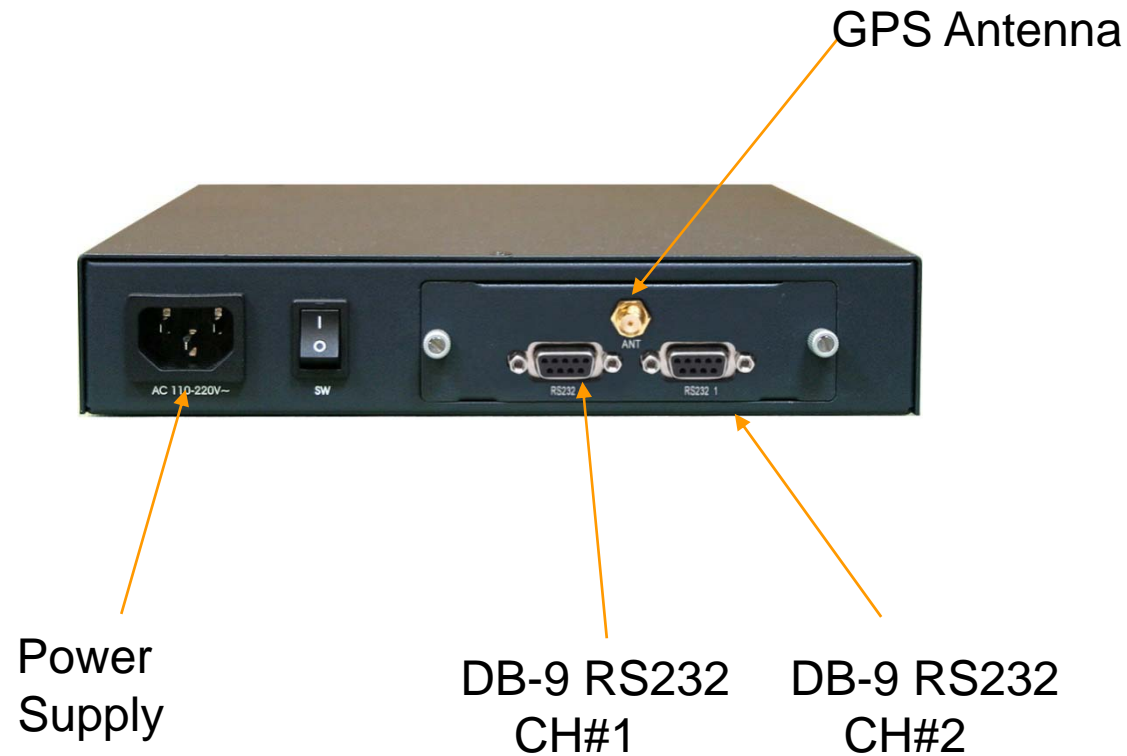
Hardware Specification

AP-GTR1000 GPS based Embedded NTP Server

RISC
CPU

High-end
GPS

Back Side

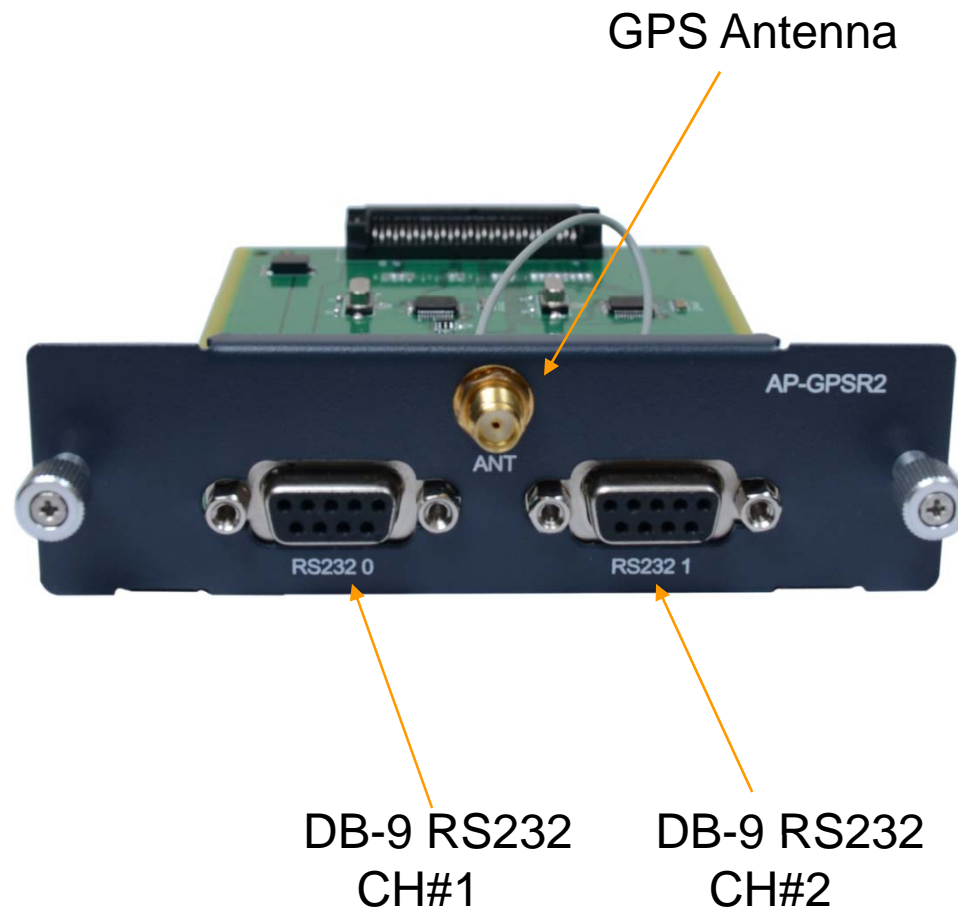


Hardware Specification

AP-GTR1000 GPS based Embedded NTP Server

RISC
CPU

High-end
GPS



Hardware Specification

AP-GTR1000 GPS based Embedded NTP Server

RISC
CPU

High-end
GPS

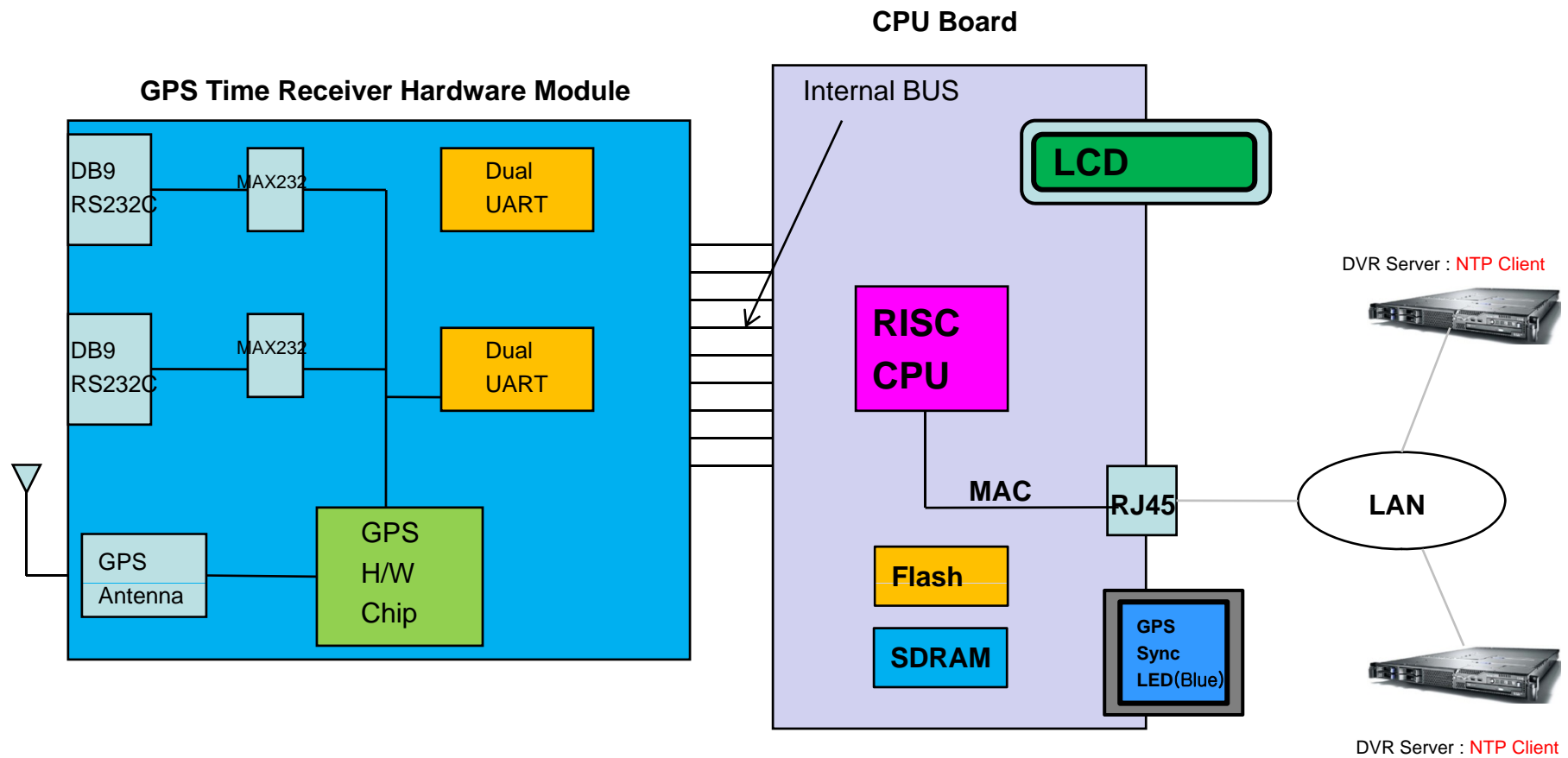
GPS Antenna



H/W Block Diagram

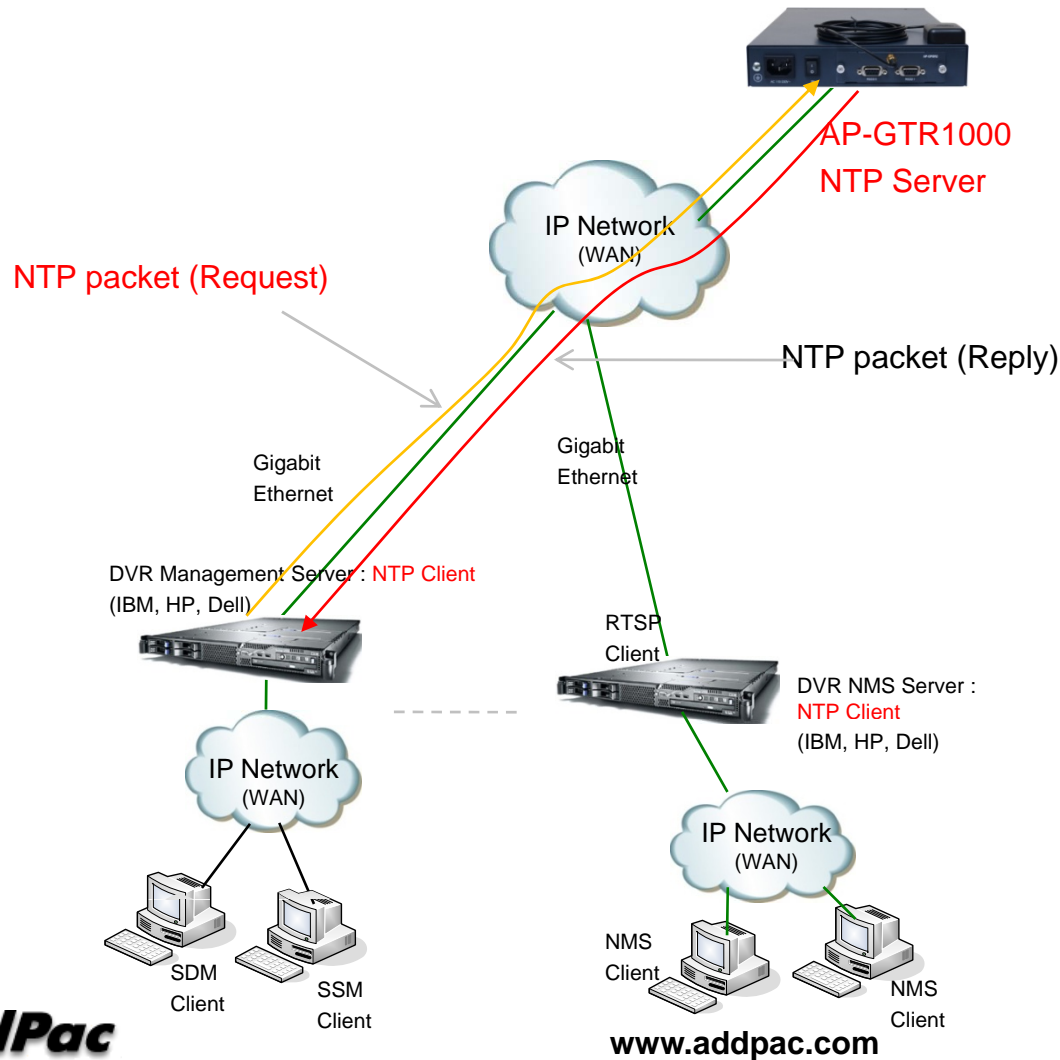
AP-GTR1000 GPS based Embedded NTP Server

Internal H/W Block Diagram



SNTP (Simple Network Time Protocol)

AP-GTR1000 GPS based Embedded NTP Server





Thank you!

AddPac Technology Co., Ltd.
Sales and Marketing

Phone +82.2.568.3848 (KOREA)

FAX +82.2.568.3847 (KOREA)

E-mail sales@addpac.com